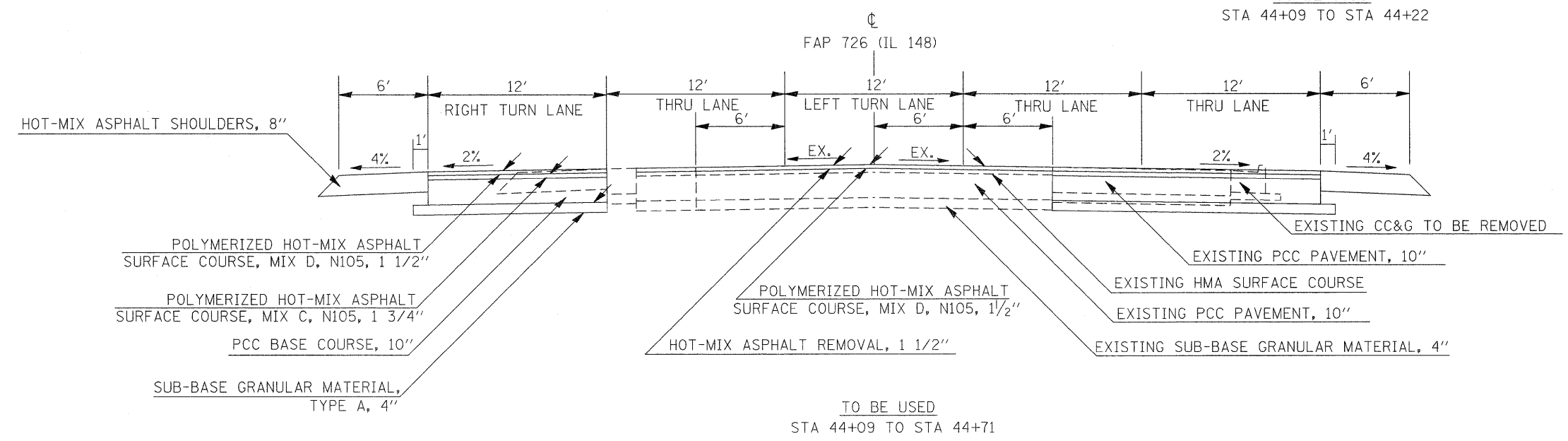
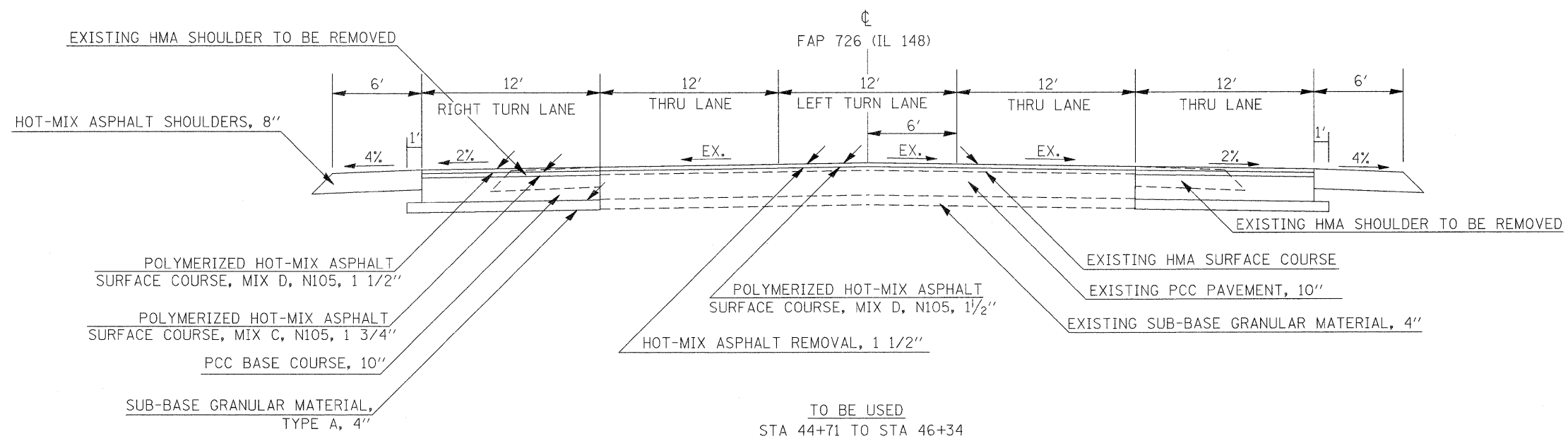


TO BE USED
STA 44+09 TO STA 44+22



TO BE USED
STA 44+09 TO STA 44+71



TO BE USED
STA 44+71 TO STA 46+34

| | | | | | | | | | | |
|--|----------------------|------------|---------------------------|---|--|-------------------|------------|-----------|--------------|-----------|
| FILE NAME = | USER NAME = knightam | DESIGNED - | REVISED - | STATE OF ILLINOIS DEPARTMENT OF TRANSPORTATION | TYPICAL SECTIONS ILLINOIS 148-SOUTH | F.A.P. RTE. | SECTION | COUNTY | TOTAL SHEETS | SHEET NO. |
| c:\pwork\pwork\knightam\0135592\78133-sh-typ.dgn | DRAWN - | REVISED - | 331 | | | (I-3,I-2)N-1,TS-1 | WILLIAMSON | 251 | 19 | |
| PLOT SCALE = 4.5000' / IN. | CHECKED - | REVISED - | CONTRACT NO. 78133 | | | | | | | |
| PLOT DATE = 1/3/2011 | DATE - | REVISED - | ILLINOIS FED. AID PROJECT | | | | | | | |
| | | | | | | SCALE: | SHEET NO. | OF SHEETS | STA. | TO STA. |