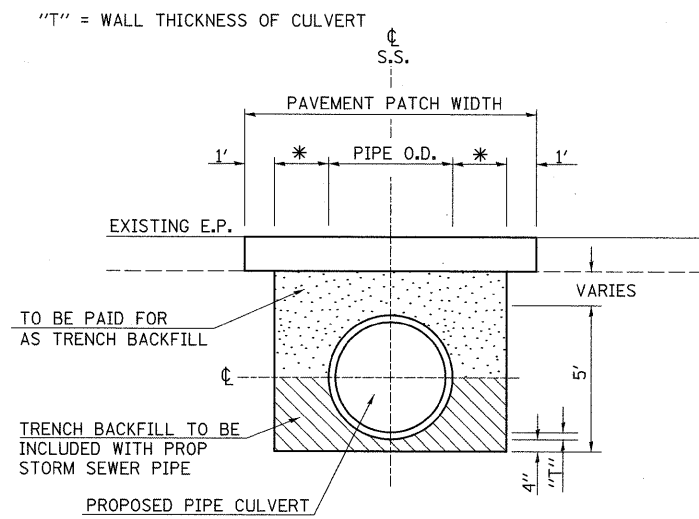
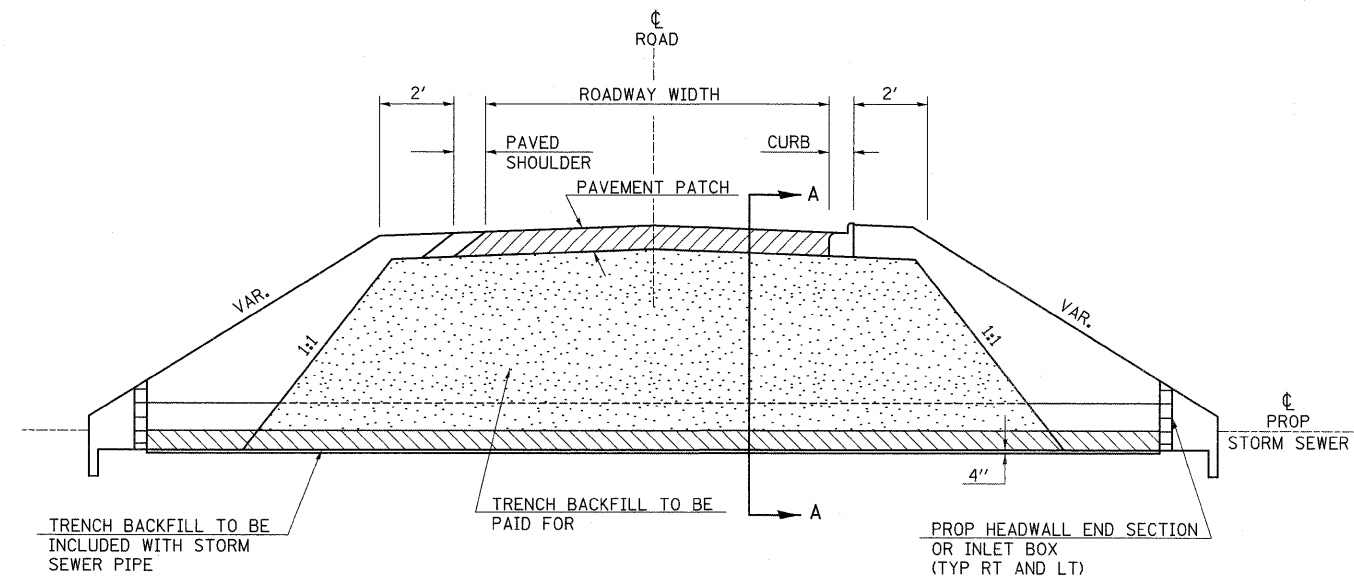


SECTION OF TRENCHES NEAR EDGE OF PAVEMENT



**SECTION A-A: PROPOSED STORM SEWER CROSSES EXISTING ROAD
TRENCH DEPTH GREATER THAN 5'
SHORING REQUIRED**



PROFILE SECTION THRU STORM SEWER ACROSS ROADWAY

* 9" + PIPE OD + 9" WHEN TRENCH DEPTH < 5'.
18" + PIPE OD + 18" WHEN TRENCH DEPTH > 5'.

NOTES:

THE CONSTRUCTION REQUIREMENTS OF THE TRENCHES FOR STORM SEWER SHALL BE IN ACCORDANCE WITH ARTICLE 550.04 AND 550.07 OF THE STANDARD SPECIFICATIONS.

TRENCH BACKFILL WILL BE MEASURED AND PAID FOR AS SPECIFIED IN ARTICLES 208.03 AND 208.04 OF THE STANDARD SPECIFICATIONS.

FILE NAME = \$FILEL\$	USER NAME = \$USER\$	DESIGNED -	REVISED -	STATE OF ILLINOIS DEPARTMENT OF TRANSPORTATION	DETAILS: TRENCH BACKFILL			F.A.P. RTE.	SECTION	COUNTY	TOTAL SHEETS	SHEET NO.
		DRAWN -	REVISED -					331	(X1-1)A-1,R-6,N-6,TS-5	WILLIAMSON	52	34
		CHECKED -	REVISED -		SCALE: N.T.S. SHEET NO. OF SHEETS STA. TO STA.			CONTRACT NO. 78223				
		DATE -	REVISED -		ILLINOIS FED. AID PROJECT							