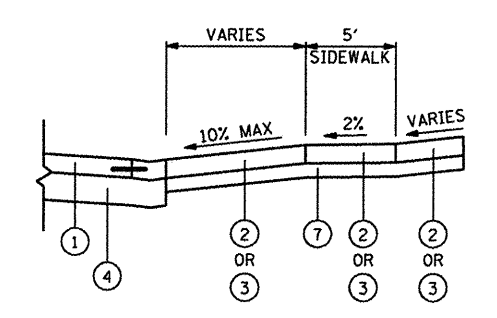


PROPOSED LEGEND

- ① PORTLAND CEMENT CONCRETE PAVEMENT 8" (JOINTED)
- ② PORTLAND CEMENT CONCRETE DRIVEWAY PAVEMENT 6 INCH (RESIDENTIAL DRIVEWAY)
- ③ PORTLAND CEMENT CONCRETE DRIVEWAY PAVEMENT 8 INCH (COMMERCIAL DRIVEWAY)
- ④ SUB-BASE GRANULAR MATERIAL, TYPE B, 12"
- ⑤ PORTLAND CEMENT CONCRETE SIDEWALK 4 INCH
- ⑥ PORTLAND CEMENT CONCRETE SIDEWALK, 5" AGGREGATE BASE COURSE, TYPE B, 4"
- ⑦ AGGREGATE BASE COURSE, TYPE B, 6"
- ⑧ GEOTECHNICAL FABRIC FOR GROUND STABILIZATION
- ⑨ CONCRETE GUTTER TYPE A (SPECIAL)
- ⑩ CORRUGATED MEDIAN (DOWELLED)
- ⑪ COMBINATION CONCRETE CURB & GUTTER, TYPE B-6,18
- ⑫ STAMPED COLORED PCC MEDIAN SURFACE 4 INCH, SPECIAL
- ⑬ SEEDING, CLASS 2A
- ⑭ FURNISHING AND PLACING TOPSOIL, 4"
- ⑮ MECHANICALLY STABILIZED EARTH RETAINING WALL
- ⑯ LONGITUDINAL CONSTRUCTION JOINT
GROUTED TIE BAR
NO. 6 X 30" LONG DEFORMED TIE (EPOXY COATED)
AT 2' C-C. (INCLUDED IN COST OF PCC PAVEMENT)
- ⑰ NO. 6 X 30" TIE BARS (EPOXY COATED)
AT 2' C-C. (INCLUDED IN COST OF CC&G)
- ⑱ LONGITUDINAL SAWED JOINT
NO. 6 X 30" LONG DEFORMED TIE (EPOXY COATED)
AT 2' C-C. (INCLUDED IN COST OF PCC PAVEMENT)
- ⑲ SLOPED CONCRETE BARRIER END TREATMENT (PAID AS 50300225)
- ⑳ BARRIER MOMENT SLAB, 8"
(PAID AS 50300225, SEE SHEET 109 FOR DETAILS)
AGGREGATE BASE COURSE, TYPE B, 4"
- ㉑ AGGREGATE BASE COURSE, TYPE B

SEE PROPOSED BRIDGE TYPICAL SECTIONS (SHEETS 137-138)
PROPOSED BRIDGE OMISSION
STA. 47+32.74 TO STA. 52+32.00



COMMERCIAL AND RESIDENTIAL DRIVEWAY DETAIL

L:\PROJECTS\08262822\Drawings\CADD\Sheets\BR_TYP_PROF_01.dgn



USER NAME = Steve Prange	DESIGNED - SJP / MNB	REVISED -
DRAWN - ERD	CHECKED - SJP	REVISED -
DATE - 02/04/2011		

**CITY OF ROCKFORD
MORGAN STREET BRIDGE**

SCALE: NTS	SHEET NO. 3 OF 5 SHEETS	STA. N/A TO STA. N/A
------------	-------------------------	----------------------

F.A. RTE.	SECTION	COUNTY	TOTAL SHEETS	SHEET NO.
5077	99-00493-00-BR	WINNEBAGO	253	13
FED. ROAD DIST. NO. 2 [ILLINOIS] FED. AID PROJECT BRM-509665			CONTRACT NO. 85529	