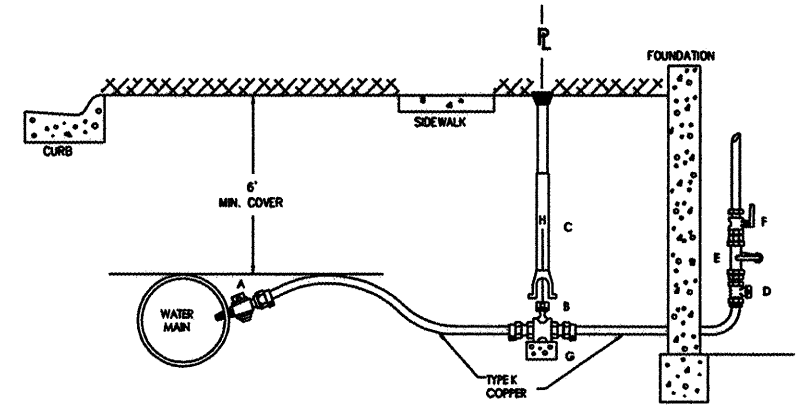


ITEM	DESCRIPTION
A	APPROVED BEDDING MATERIAL
B	16"x 8"x 4" CONCRETE BLOCKING
C	UNDISTURBED SOIL
D	APPROVED GRANULAR TRENCH BACKFILL MATERIAL
E	VALVE BOXES WILL BE THE TYLER / UNION CAST IRON 6850 SERIES- WITH DEBRIS CAP & ADAPTER # INSTALLED
F	A WATER PERMEABLE GEOTEXTILE IS TO BE PLACED BETWEEN 1" WASHED STONE AND BACKFILL
G	VALVE AND HYDRANT TO BE BACK FILLED WITH 1" WASHED STONE MINIMUM OF 24 INCHES IN DEPTH

FIRE HYDRANT COMPLETE

NOT TO SCALE

ROCKFORD WATER DEPARTMENT



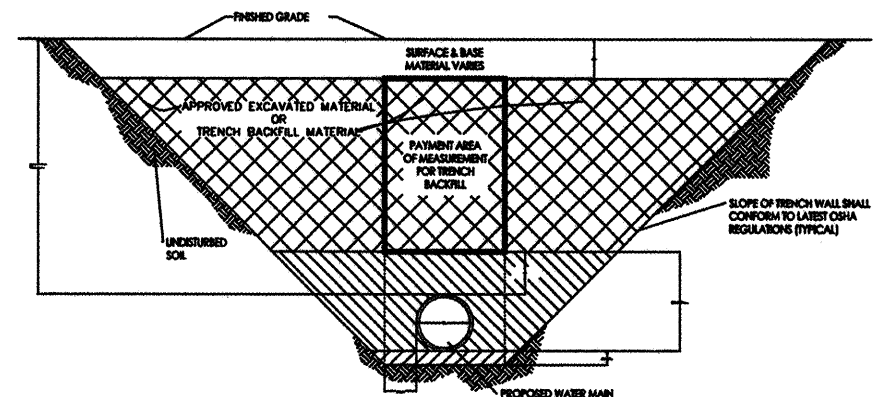
ITEM	DESCRIPTION	SIZE
A	LOCKOFF VALVE STOP	3/4"x2"
B	CURB STOP	3/4"x2"
C	CURB STOP	EXTENSIBLE
D	MEAS. STOP	3/4"x2"
E	MEAS. STOP	3/4"x2"
F	MEAS. STOP	3/4"x2"
G	ROCK CEMENT	
H	ROD	3/8"

WATER SERVICE DETAIL

NOT TO SCALE

NOTES:

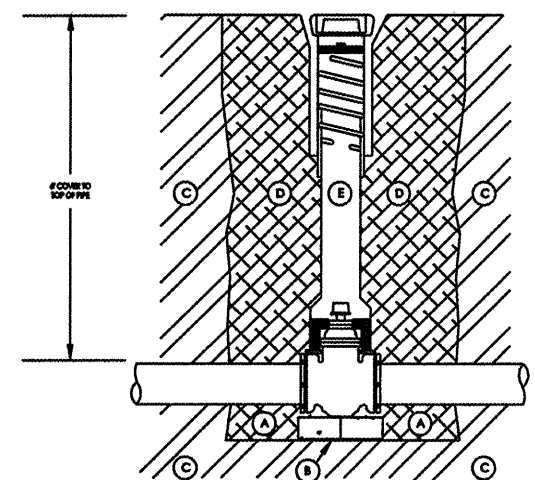
1. THE CONTRACTOR SHALL INSURE THAT ALL TRENCHING OPERATIONS CONFORM TO THE LATEST OSHA REGULATIONS.
2. PIPE BEDDING MATERIAL AND GRANULAR BACKFILL MATERIAL SHALL BE THE SAME AS TRENCH BACKFILL MATERIAL.
3. GRANULAR BACKFILL AND BEDDING MATERIAL SHALL BE INCIDENTAL TO THE CONTRACT.
4. TRENCH BACKFILL MATERIAL SHALL BE COMPACTED AT A MAXIMUM OF 12" INCREMENTS.
5. APPROVED EXCAVATED MATERIAL SHALL MEET THE REQUIREMENTS OF ARTICLE 1003.04 OF THE LATEST EDITION OF THE STANDARD SPECIFICATIONS FOR ROAD AND BRIDGE CONSTRUCTION. NO COMPENSATION WILL BE ALLOWED AS TRENCH BACKFILL FOR THE PORTION OF THE TRENCH BACKFILLED WITH EXCAVATED MATERIAL.
6. AG-LIME (FA20/FA21) WILL NOT BE ALLOWED FOR TRENCH BACKFILL MATERIAL.



TRENCH BACKFILL DETAIL

NOT TO SCALE

VALVE INSTALLATION

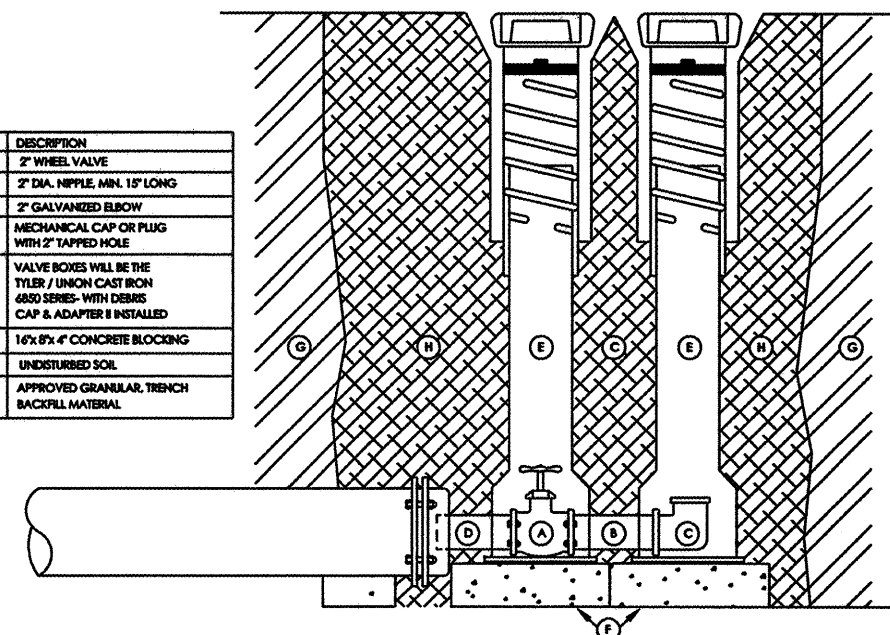


ITEM	DESCRIPTION
A	APPROVED BEDDING MATERIAL
B	16"x 8"x 4" CONCRETE BLOCKING
C	UNDISTURBED SOIL
D	APPROVED GRANULAR TRENCH BACKFILL MATERIAL
E	VALVE BOXES WILL BE THE TYLER / UNION CAST IRON 6850 SERIES- WITH DEBRIS CAP & ADAPTER # INSTALLED

VALVE & VALVE BOX DETAIL

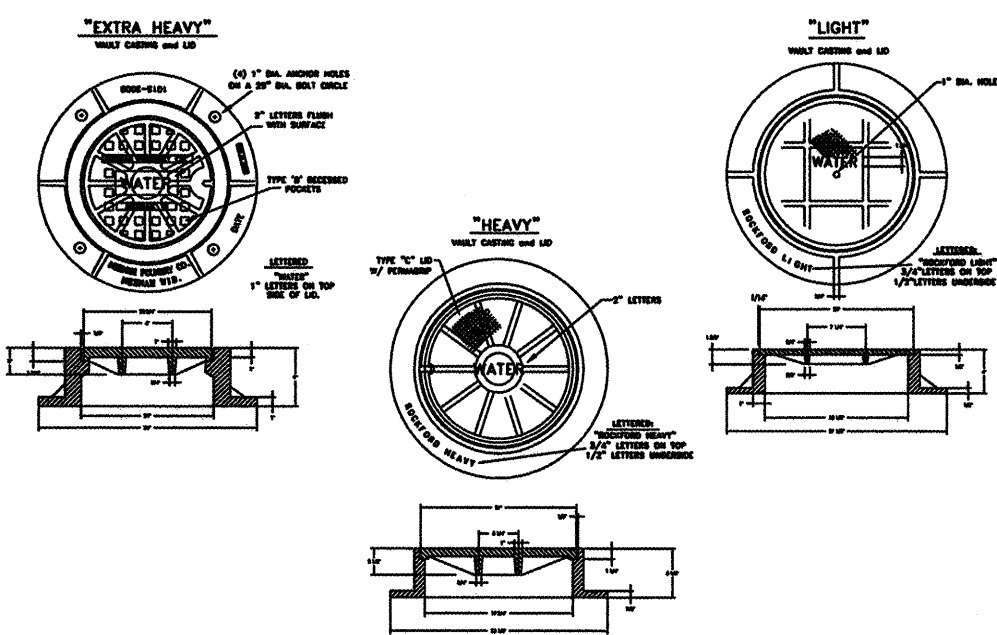
NOT TO SCALE

ITEM	DESCRIPTION
A	2" WHEEL VALVE
B	2" DIA. NIPPLE MIN. 15" LONG
C	2" GALVANIZED ELBOW
D	MECHANICAL CAP OR PLUG WITH 2" TAPPED HOLE
E	VALVE BOXES WILL BE THE TYLER / UNION CAST IRON 6850 SERIES- WITH DEBRIS CAP & ADAPTER # INSTALLED
F	16"x 8"x 4" CONCRETE BLOCKING
G	UNDISTURBED SOIL
H	APPROVED GRANULAR TRENCH BACKFILL MATERIAL



BLEEDER VALVE BOX INSTALLATION

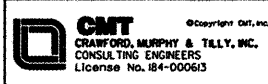
NOT TO SCALE



WATER MANHOLE CASTING DETAIL

WDTL-CAST

L:\ROCKFORD\9826882\DWG\CADD_Sheets\WATER_STD_IL.dwg



USER NAME = Steve Prange	DESIGNED - SJP / MNB	REVISED -
PLOT SCALE = 48x60 1/4" / IN.	DRAWN - ERD	REVISED -
PLOT DATE = 02/04/11	CHECKED - SJP	REVISED -
	DATE - 02/04/2011	REVISED -

CITY OF ROCKFORD
MORGAN STREET BRIDGE

PROPOSED WATERMAIN DETAILS

SCALE: SHEET NO. 11 OF 11 SHEETS STA. TO STA.

F.A. RTE.	SECTION	COUNTY	TOTAL SHEETS	SHEET NO.
5077	99-00493-00-BR	WINNEBAGO	253	63
FED. ROAD DIST. NO. 2 ILLINOIS			CONTRACT NO. 85529	
FED. AID PROJECT BRM-509965				