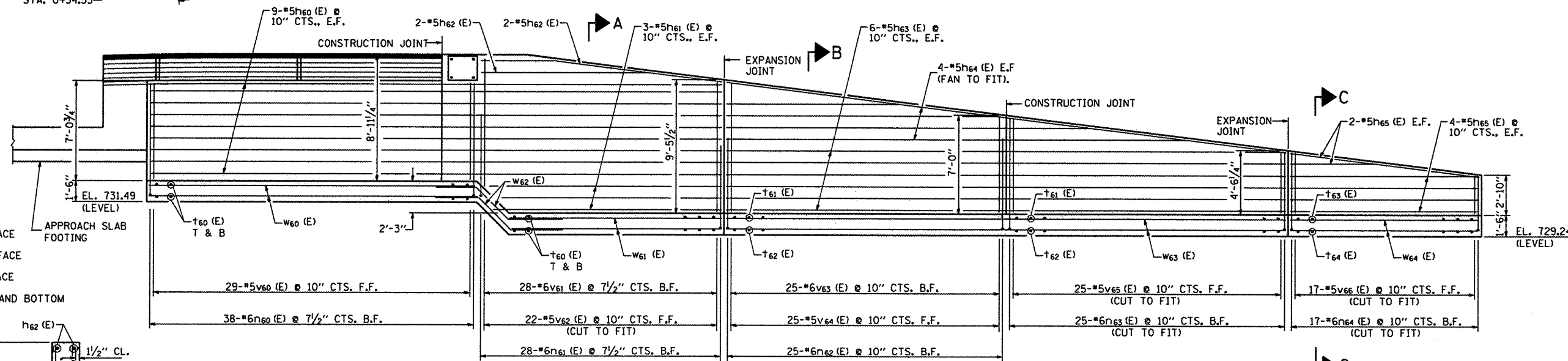
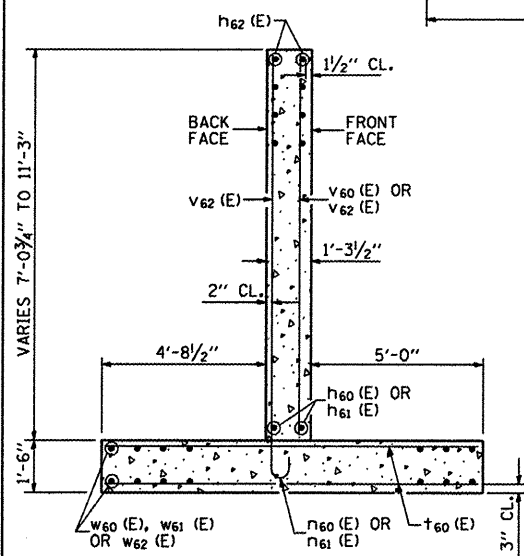


PLAN

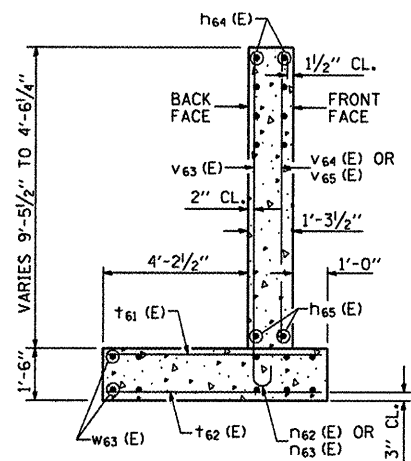


ELEVATION

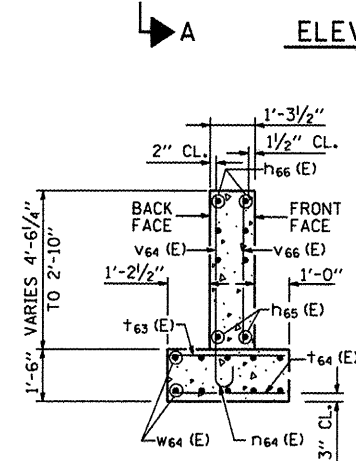
B.F. = BACK FACE
 F.F. = FRONT FACE
 E.F. = EACH FACE
 T & B = TOP AND BOTTOM



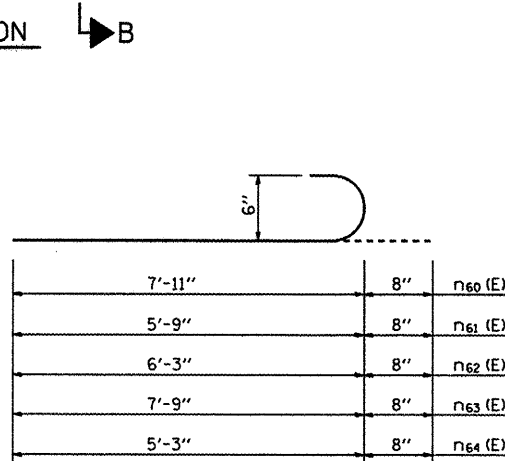
SECTION A-A



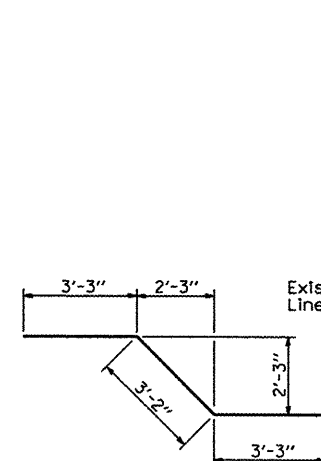
SECTION B-B



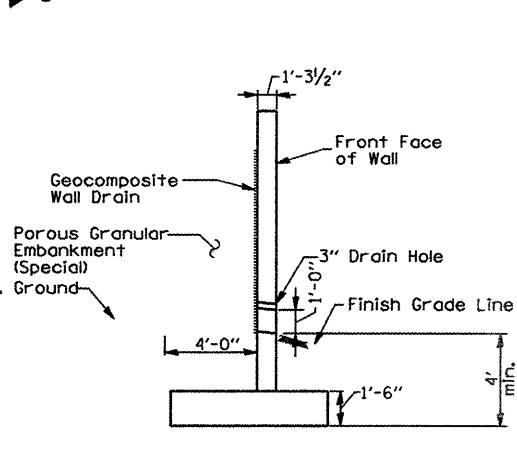
SECTION C-C



BAR n60(E) THRU n64(E)



BAR w62(E)



SECTION THRU CONCRETE RETAINING WALL
 Looking east

WEEP HOLE SPACING SHALL BE AT ±8'-0" HORIZONTALLY

I:\rockford\0826802\draw\cadd\sheet\02.rvt 02/04/11



USER NAME = Steve Prange	DESIGNED - SJP / MNB	REVISED -
DRAWN - ERD	REVISOR -	REVISION -
PLOT SCALE = 8.0000' / IN.	CHECKED - SJP	REVISOR -
PLOT DATE = 02/04/11	DATE - 02/04/2011	REVISOR -

CITY OF ROCKFORD
 MORGAN STREET BRIDGE

CONSTRUCTION DETAILS - 2A

SCALE: N/A SHEET NO. 3 OF 9 SHEETS STA. N/A TO STA. N/A

F.A. RTE.	SECTION	COUNTY	TOTAL SHEETS	SHEET NO.
5077	99-00493-00-BR	WINNEBAGO	253	104A
CONTRACT NO. 85529			FED. ROAD DIST. NO. 2 ILLINOIS FED. AID PROJECT BRW-509965	

104A