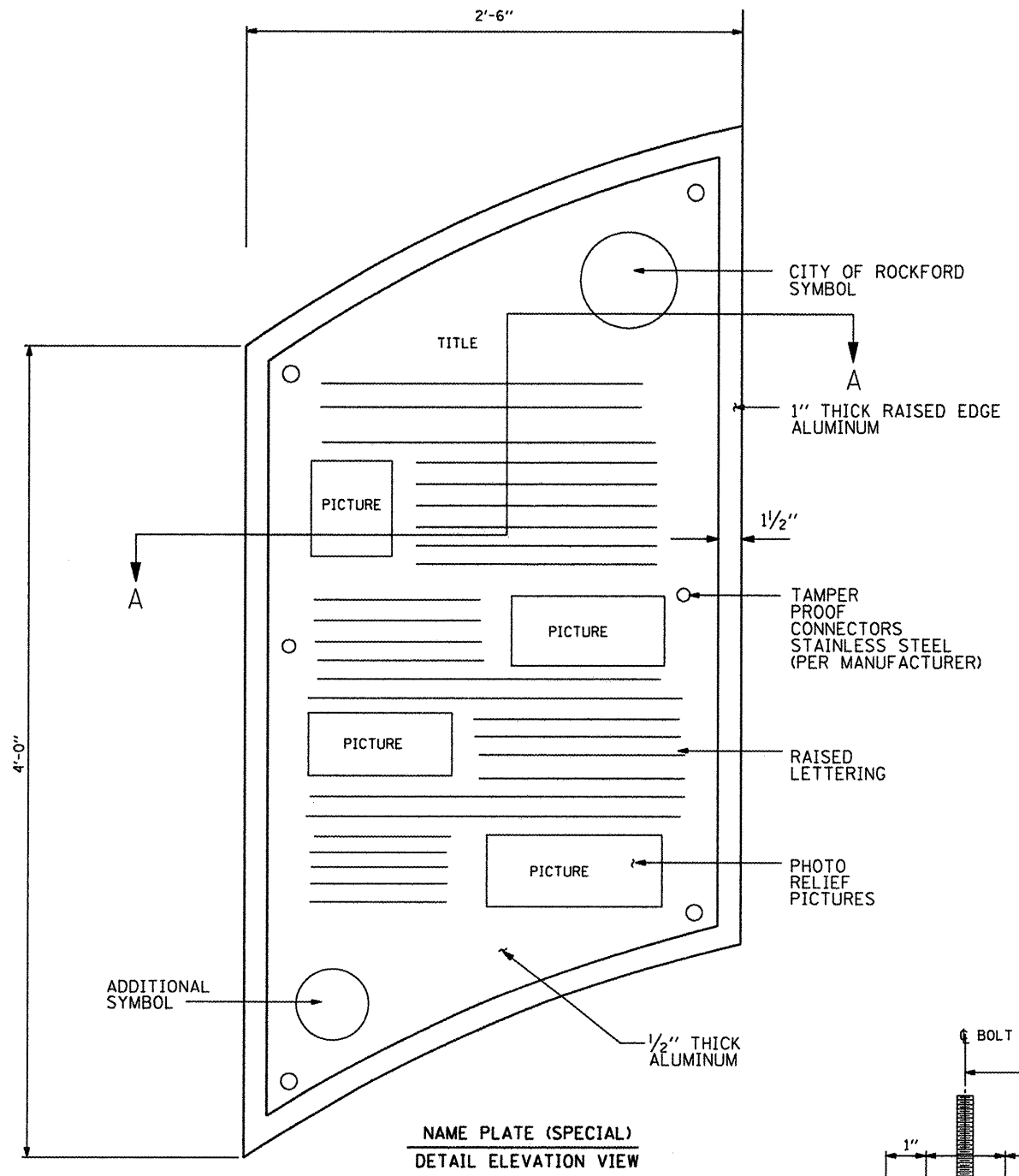
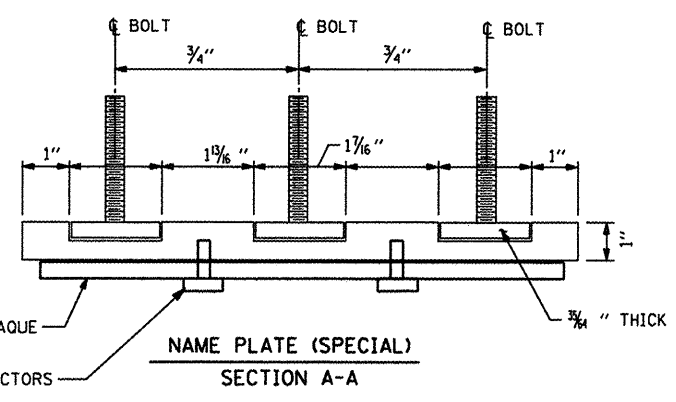


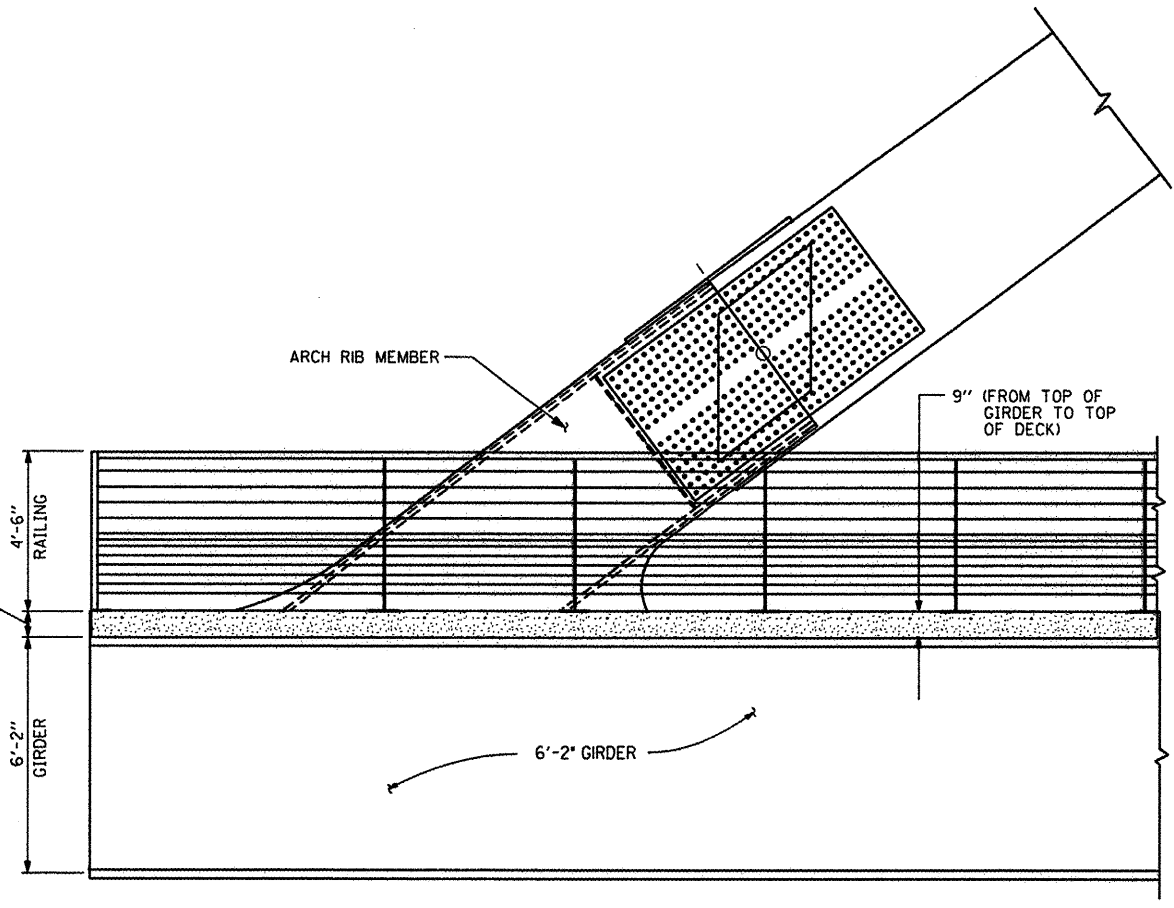
PLAN VIEW
STATIONS REPRESENT CENTER OF PLAQUE



NAME PLATE (SPECIAL)
DETAIL ELEVATION VIEW



NAME PLATE (SPECIAL)
SECTION A-A



NAME PLATE (SPECIAL)
ELEVATION VIEW FROM SIDEWALK (LOOKING NORTH)

I:\rockford\4826882\draw\cadd\sheet\NR_CONST_DET_06.dgn



USER NAME = Steve Prange	DESIGNED - SJP / MNB	REVISED -
DRAWN - ERD	REVISIONS -	
PLOT SCALE = 48,0000' / IN.	CHECKED - SJP	REVISED -
PLOT DATE = 02/04/11	DATE - 02/04/2011	REVISED -

CITY OF ROCKFORD
MORGAN STREET BRIDGE

CONSTRUCTION DETAILS - 6

SCALE: N/A	SHEET NO. 7 OF 9 SHEETS	STA. N/A TO STA. N/A
------------	-------------------------	----------------------

F.A. RTE.	SECTION	COUNTY	TOTAL SHEETS	SHEET NO.
5077	99-00493-00-BR	WINNEBAGO	253	108
CONTRACT NO. 85529			FED. ROAD DIST. NO. 2 [ILLINOIS] FED. AID PROJECT BRM-509965	