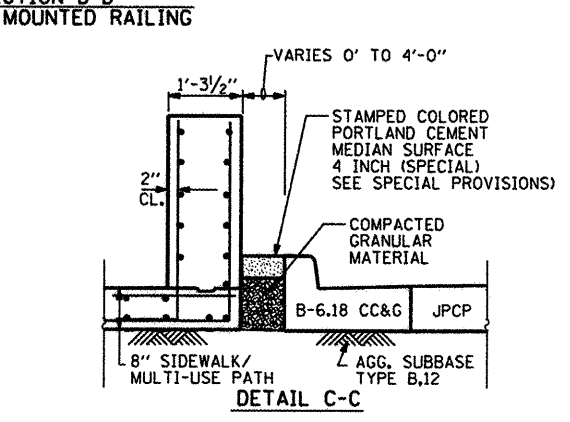
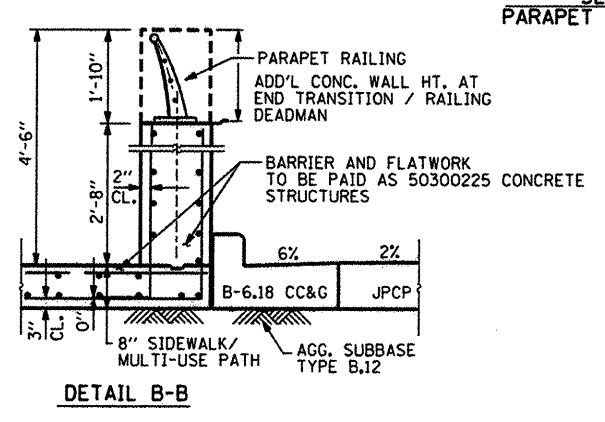
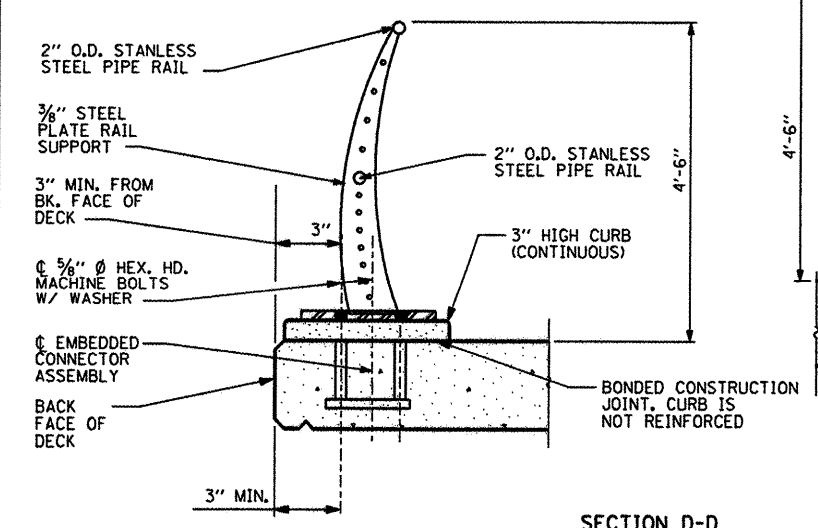
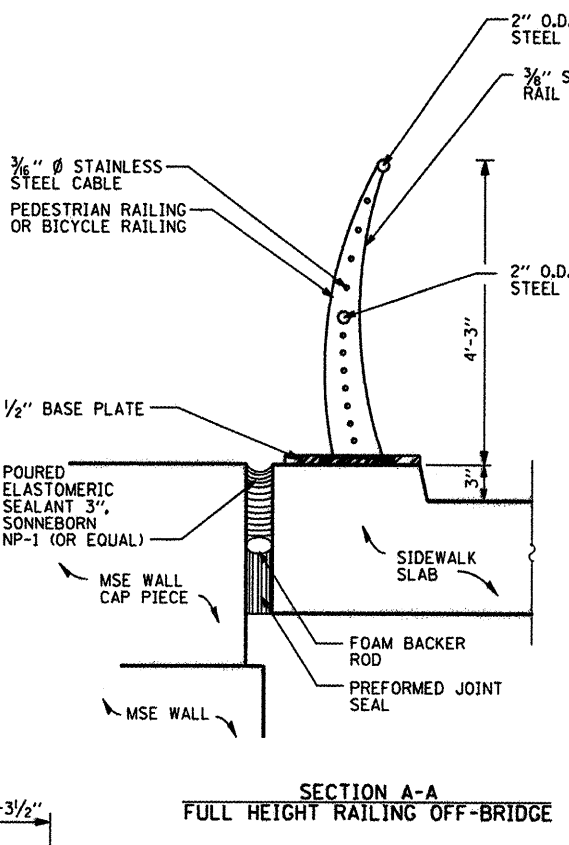
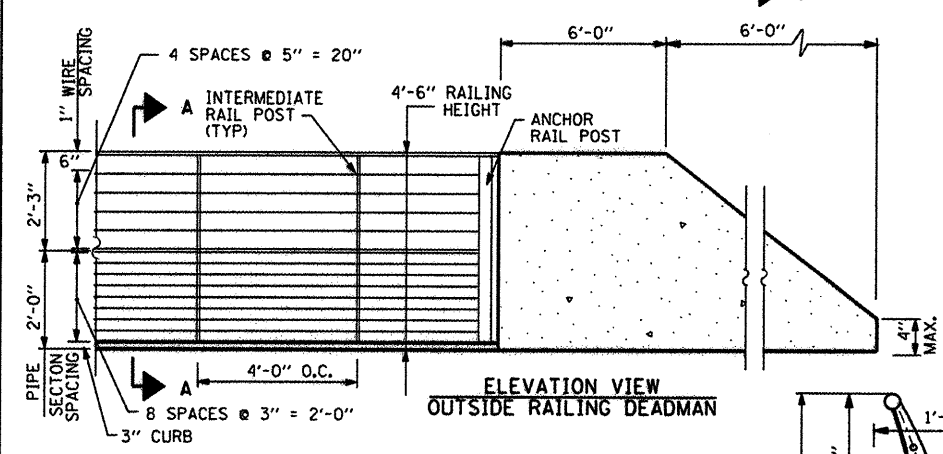
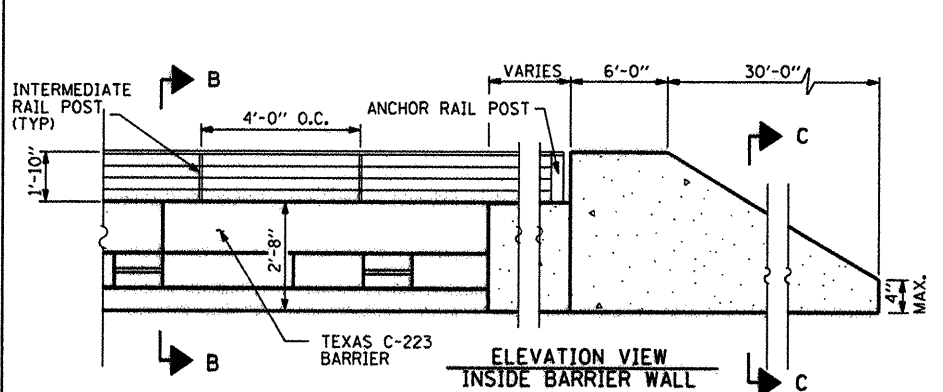
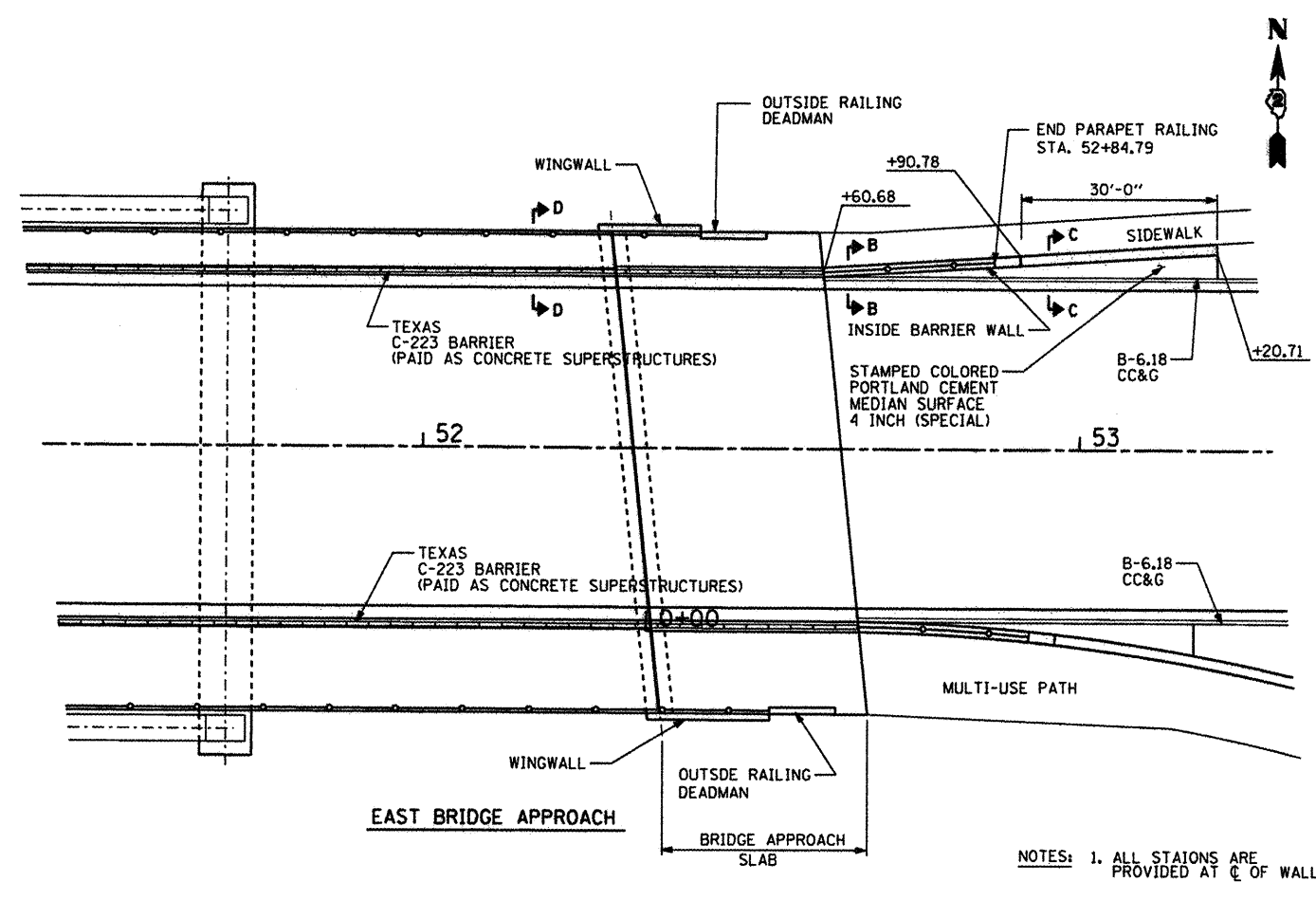
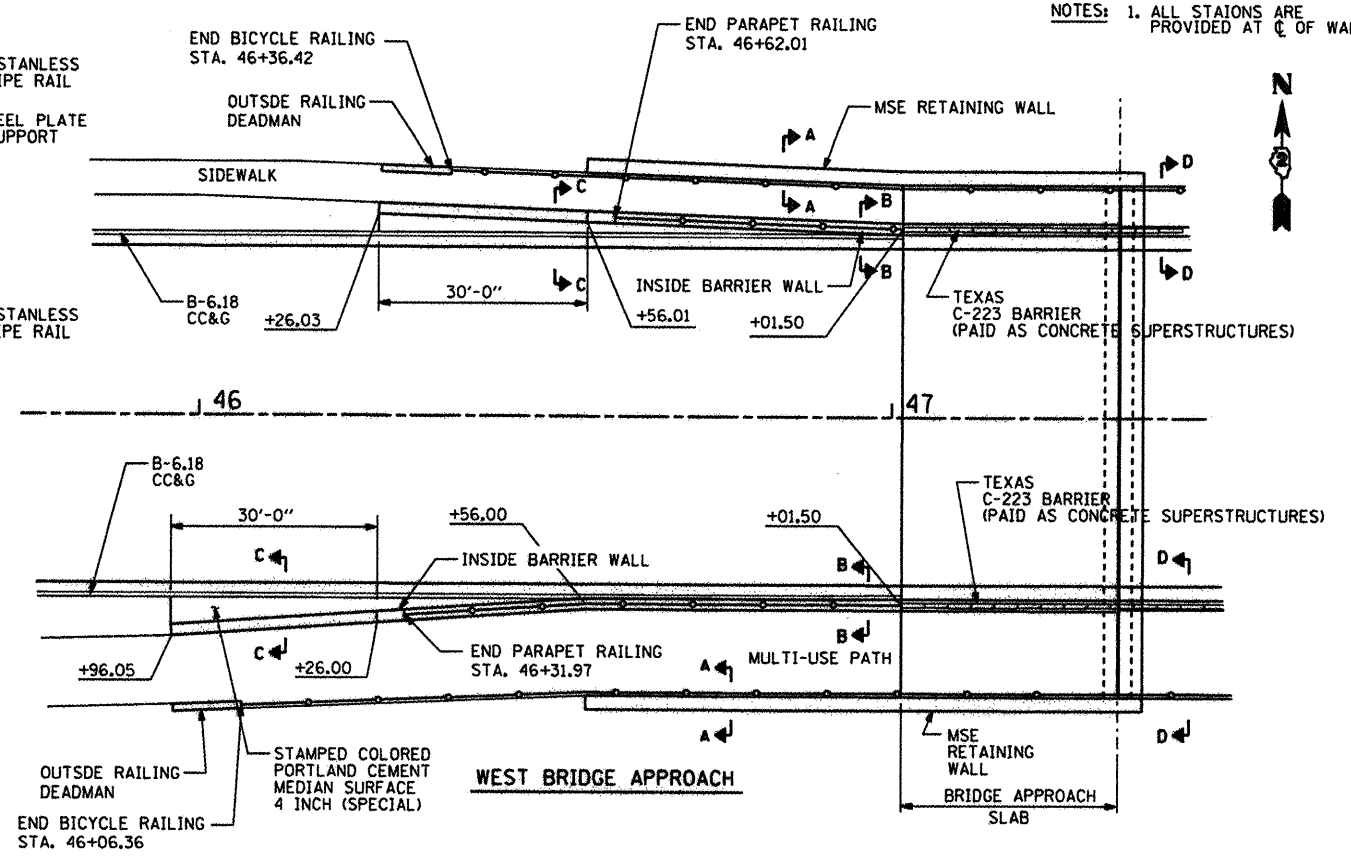


NOTES:
1. SEE SHEET 149 & 149A FOR RAILING DETAILS.



NOTES: 1. ALL STATIONS ARE PROVIDED AT C OF WALL



NOTES: 1. ALL STATIONS ARE PROVIDED AT C OF WALL

I:\rockford\m282882.dwg\m282882.dwg\m282882.dwg\m282882.dwg\m282882.dwg\m282882.dwg\m282882.dwg\m282882.dwg\m282882.dwg\m282882.dwg



USER NAME = Steve Prange	DESIGNED - SJP / MNB	REVISED -
DESIGNED - SJP / MNB	DRAWN - ERD	REVISED -
PLOT SCALE = 40,0000' / 1"	CHECKED - SJP	REVISED -
PLOT DATE = 02/04/11	DATE - 02/04/2011	REVISED -

**CITY OF ROCKFORD
MORGAN STREET BRIDGE**

CONSTRUCTION DETAILS - 7

SCALE: N/A	SHEET NO. 8 OF 9 SHEETS	STA. N/A TO STA. N/A
------------	-------------------------	----------------------

F.A. RTE.	SECTION	COUNTY	TOTAL SHEETS	SHEET NO.
5077	99-00493-00-BR	WINNEBAGO	253	109
FED. ROAD DIST. NO. 2 ILLINOIS			CONTRACT NO. 85529	
FED. AID PROJECT BRN-509965				