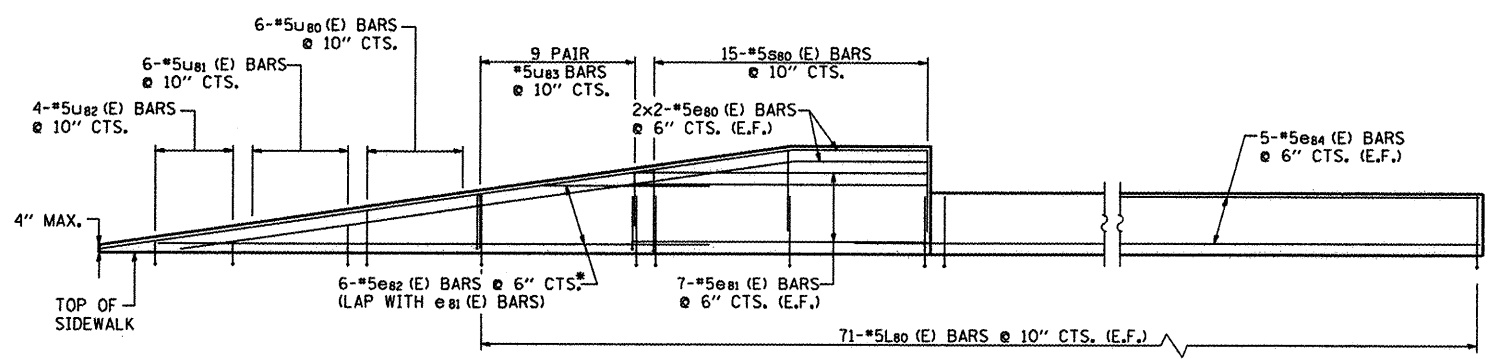
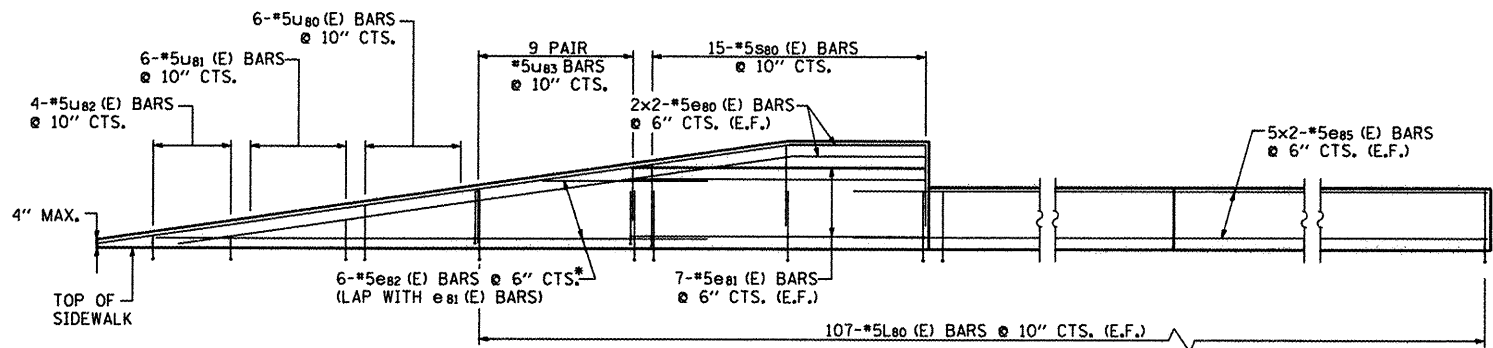


**NORTHEAST WALL ELEVATION
INSIDE BARRIER WALL**

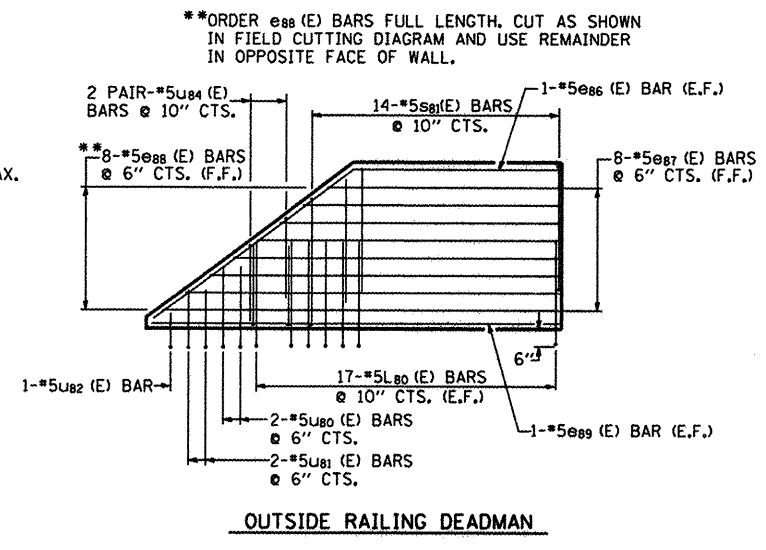
*ORDER e82 (E) BARS FULL LENGTH, CUT AS SHOWN
IN FIELD CUTTING DIAGRAM AND USE REMAINDER
IN OPPOSITE FACE OF WALL.



**NORTHWEST WALL ELEVATION
INSIDE BARRIER WALL**

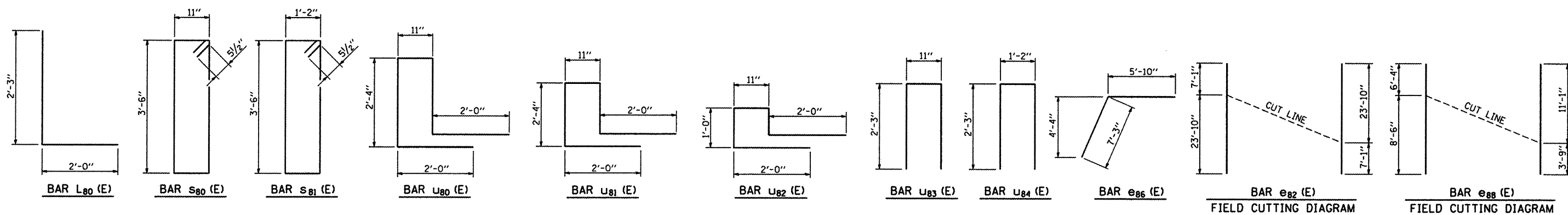


**SOUTHWEST WALL ELEVATION
INSIDE BARRIER WALL**



OUTSIDE RAILING DEADMAN

BILL OF MATERIAL				
BAR	NO.	SIZE	LENGTH	SHAPE
e80 (E)	12	#5	20'-0"	
e81 (E)	42	#5	12'-9"	
e82 (E)	18	#5	30'-11"	
e83 (E)	10	#5	27'-2"	
e84 (E)	10	#5	42'-7"	
e85 (E)	20	#5	38'-0"	
e86 (E)	8	#5	13'-1"	
e87 (E)	64	#5	6"	
e88 (E)	32	#5	14'-10"	
e89 (E)	8	#5	11'-8"	
L80 (E)	598	#5	5'-0"	L
S80 (E)	45	#5	9'-9"	□
S81 (E)	56	#5	10'-3"	□
U80 (E)	26	#5	9'-7"	L
U81 (E)	26	#5	8'-3"	L
U82 (E)	16	#5	6'-11"	L
U83 (E)	54	#5	5'-5"	□
U84 (E)	16	#5	5'-8"	□



I:\projects\082602\work\mod sheets\DCONST\DET_07.rvt

109A

CMT CRAWFORD, MURPHY & TELY, INC. CONSULTING ENGINEERS License No. 184-00063	USER NAME = Steve Prange	DESIGNED - SJP / MNB	REVISED -	CITY OF ROCKFORD MORGAN STREET BRIDGE	CONSTRUCTION DETAILS - 7A		F.A. RTE. 5077	SECTION 99-00493-00-BR	COUNTY WINNEBAGO	TOTAL SHEETS 253	SHEET NO. 109A
	PLOT SCALE = 8.0000' / IN.	CHECKED - SJP	REVISED -		SCALE: N/A	SHEET NO. 9 OF 9 SHEETS					
	PLOT DATE = 02/04/11	DATE = 02/04/2011	REVISED -		FED. ROAD DIST. NO. 2 (ILLINOIS) FED. AID PROJECT BRM-5099(65)						