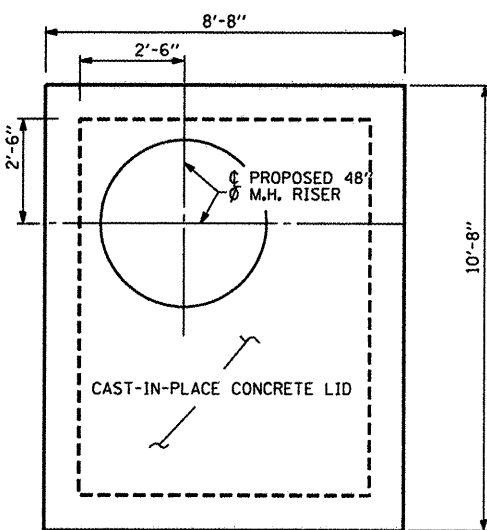
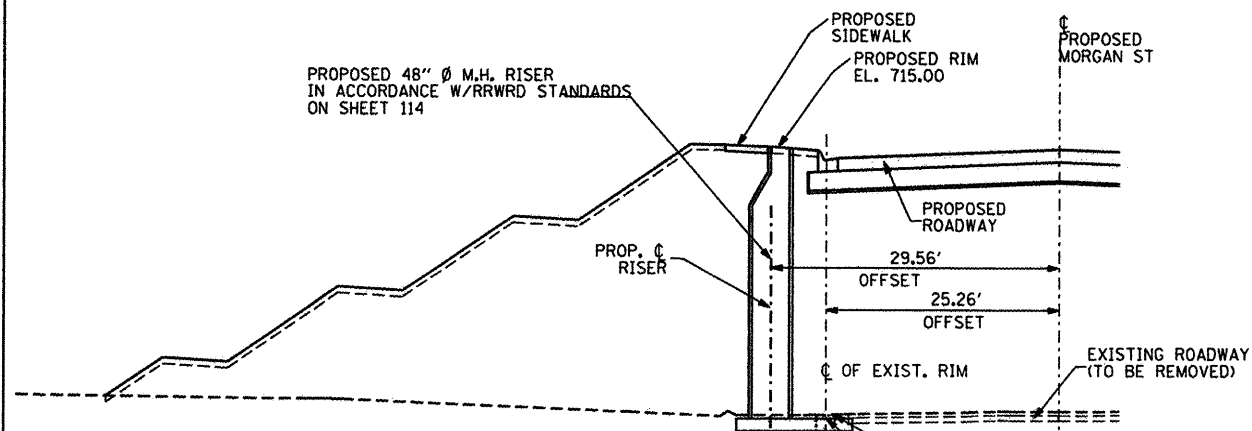
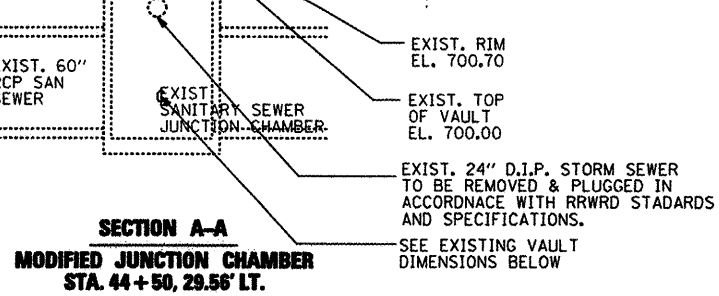


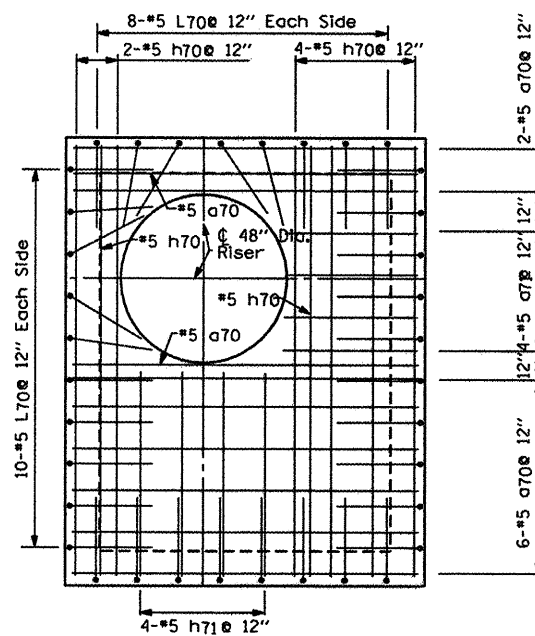
PROPOSED 48" Ø M.H. RISER
IN ACCORDANCE W/RRWRD STANDARDS
ON SHEET 114



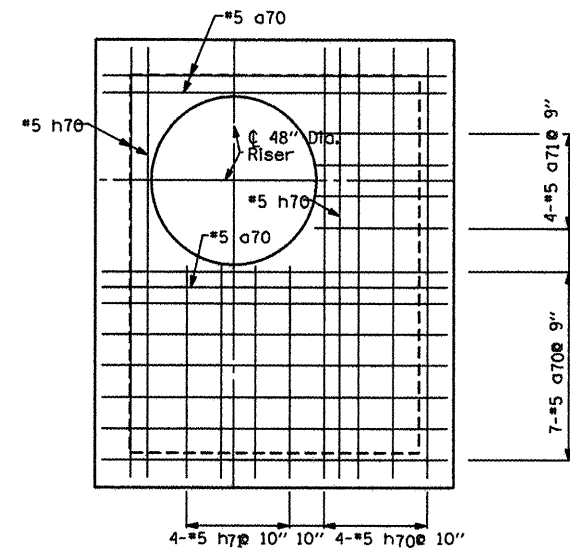
PROPOSED CAST-IN-PLACE CONCRETE LID TOP VIEW



SECTION A-A
MODIFIED JUNCTION CHAMBER
STA. 44 + 50, 29.56' LT.



TOP OF TOP SLAB

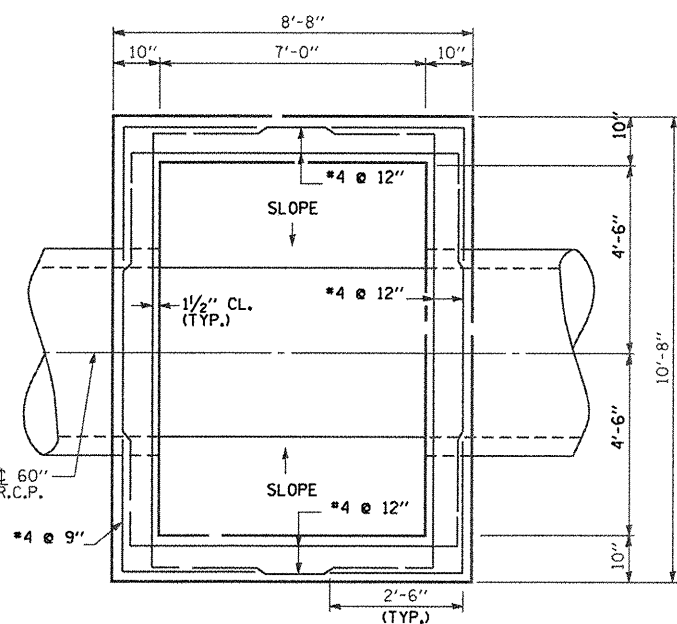


BOTTOM OF TOP SLAB

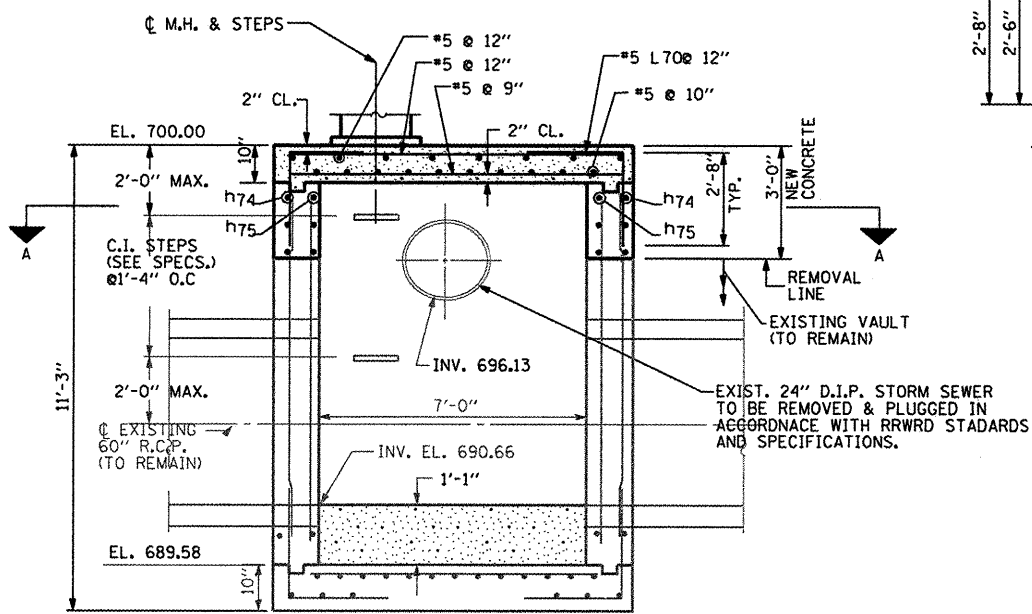
PROPOSED MODIFIED JUNCTION VAULT
CAST-IN-PLACE CONCRETE LID REINFORCEMENT
TOP VIEW

MODIFIED JUNCTION CHAMBER
BILL OF MATERIALS

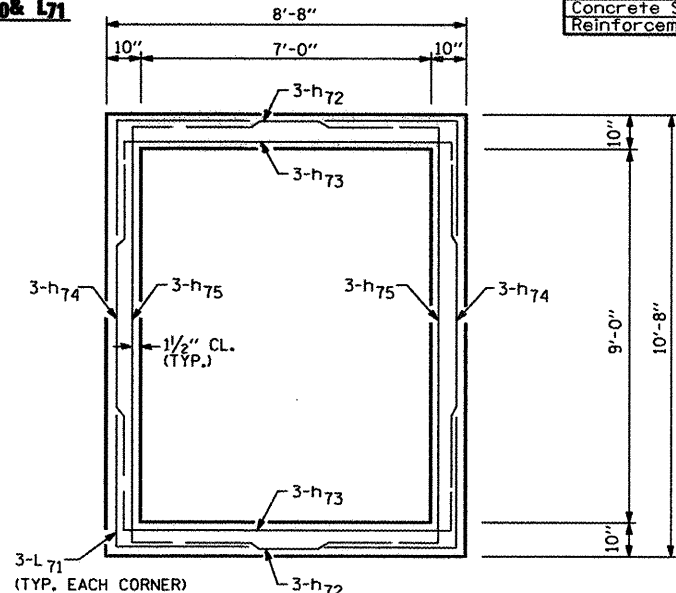
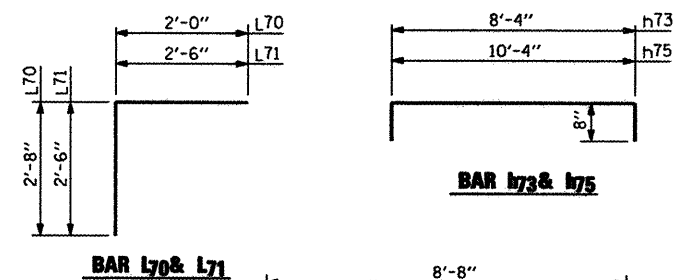
Bar	No.	Size	Length	Shape
o70	20	#5	8'-4"	—
o71	8	#5	3'-0"	—
h70	15	#5	39'-0"	—
h71	8	#5	39'-0"	—
h72	6	#4	8'-4"	—
h73	6	#4	9'-8"	—
h74	6	#4	10'-4"	—
h75	6	#4	11'-8"	—
L70	36	#5	4'-8"	—
L71	12	#4	5'-0"	—
Structure Excavation			Cu. Yd.	46
Concrete Structures			Cu. Yd.	5.3
Reinforcement Bars			Pound	1,510



EXISTING JUNCTION VAULT
PLAN VIEW



PROPOSED MODIFIED JUNCTION VAULT
SECTION VIEW



SECTION A-A

LV:\DCC\OFFICE\B26892\Drawings\CA00_Sewer\CONSTR_DET_SANITARY_B3.dgn



USER NAME = Steve Prange	DESIGNED - SJP / MNB	REVISED -
PLOT SCALE = 40,0000 / IN.	DRAWN - ERD	REVISED -
PLOT DATE = 02/04/11	CHECKED - SJP	REVISED -
	DATE - 02/04/2011	REVISED -

CITY OF ROCKFORD
MORGAN STREET BRIDGE

SCALE: N/A	SHEET NO. 3 OF 5 SHEETS	STA. TO STA.
------------	-------------------------	--------------

F.A. RTE.	SECTION	COUNTY	TOTAL SHEETS	SHEET NO.
5077	99-00493-00-BR	WINNEBAGO	253	112
CONTRACT NO. 85529				