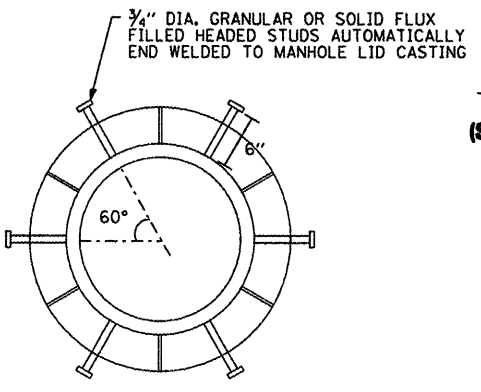


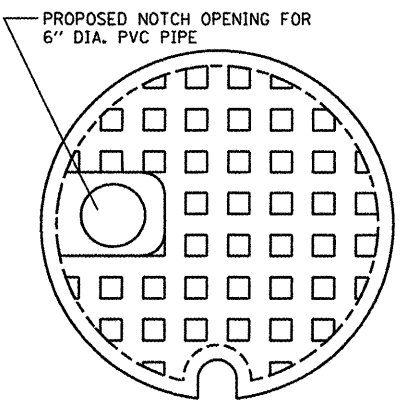
**JUNCTION CHAMBER, SPECIAL
TYPICAL SECTION @ BASE 10' X 7'**
(SEE ADDITIONAL DETAILS ON SHEET 113)

**JUNCTION CHAMBER, SPECIAL
BILL OF MATERIALS**

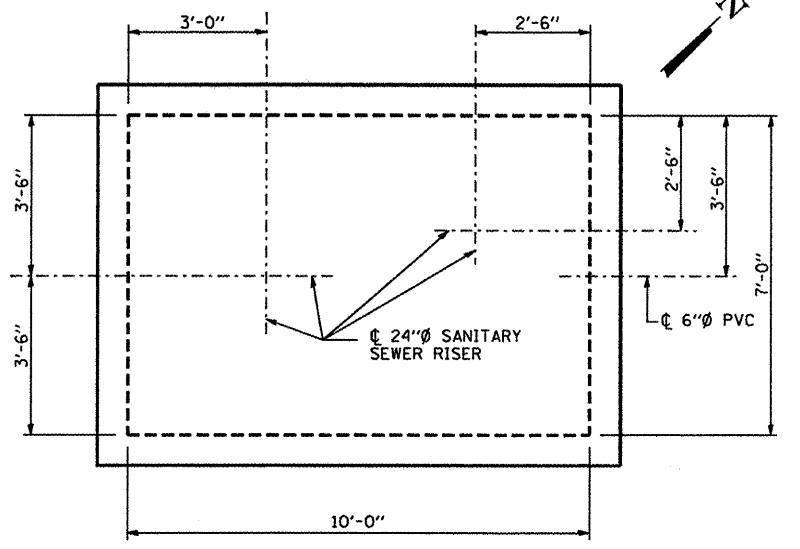
STRUCTURE EXCAVATION	CU. YD.	113
JUNCTION CHAMBER, SPECIAL	EACH	1



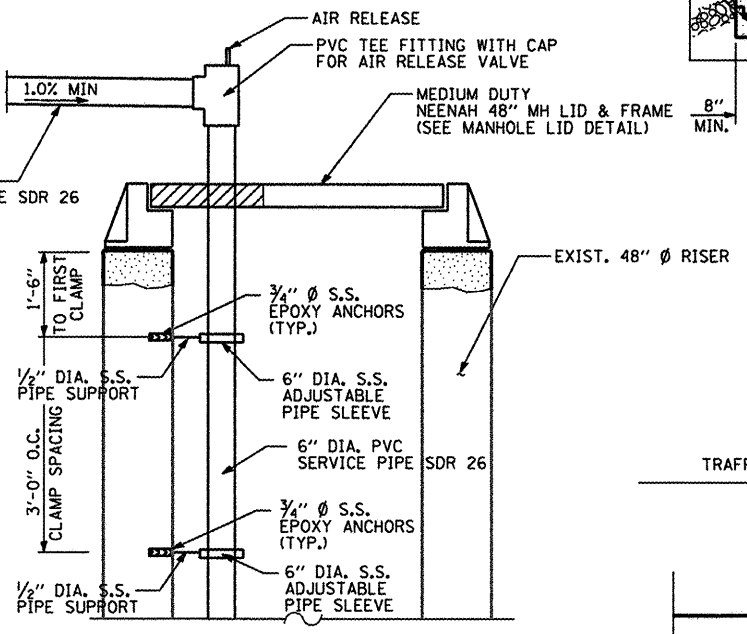
**MANHOLE CASTING THROUGH APPROACH SLAB
SECTION A-A**



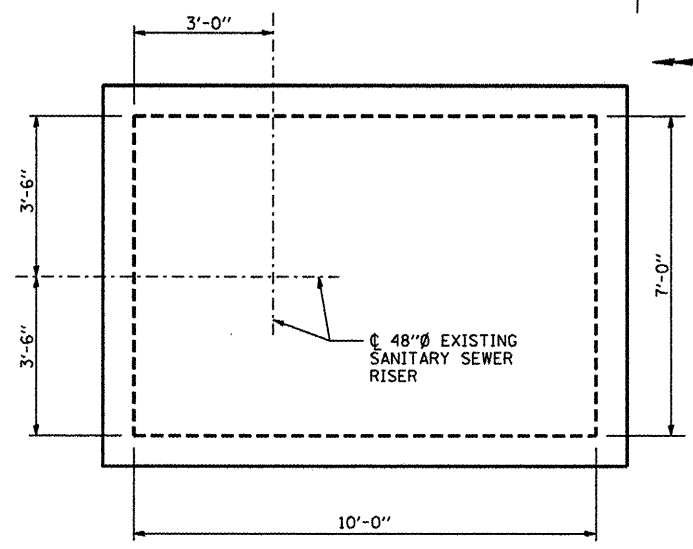
**MANHOLE LID DETAIL - INSIDE CHAMBER
PLAN VIEW**



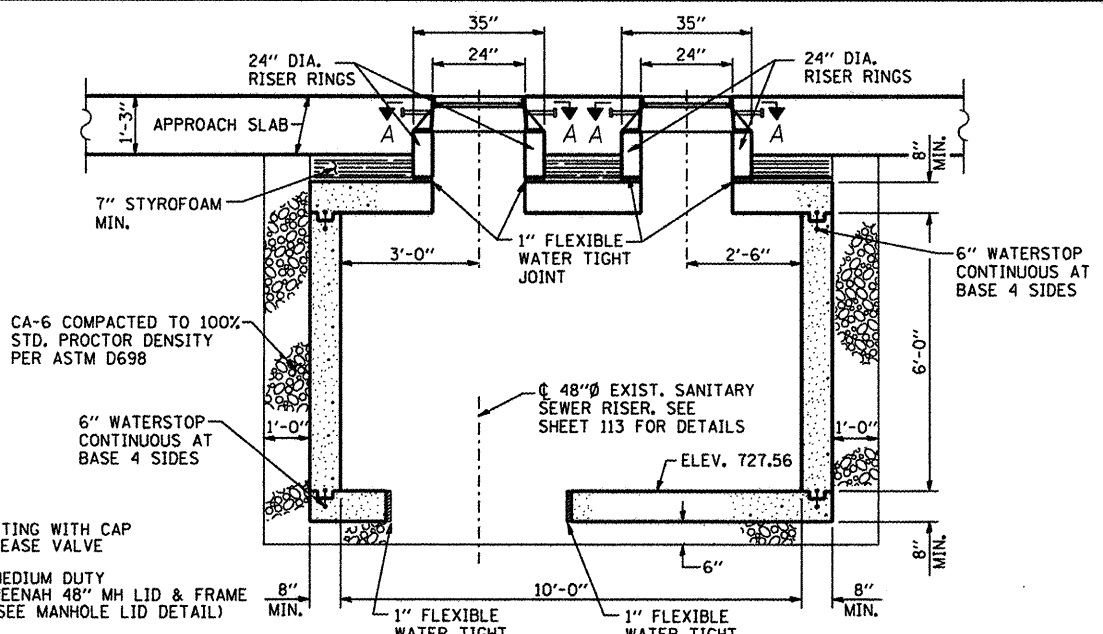
**JUNCTION CHAMBER, SPECIAL
TOP VIEW**



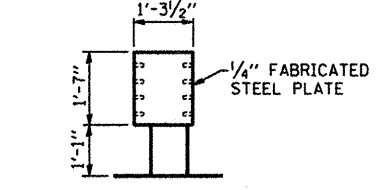
**JUNCTION CHAMBER, SPECIAL
CHURCH SERVICE PIPE DETAIL INTO EXIST. 48" DIA. RISER**



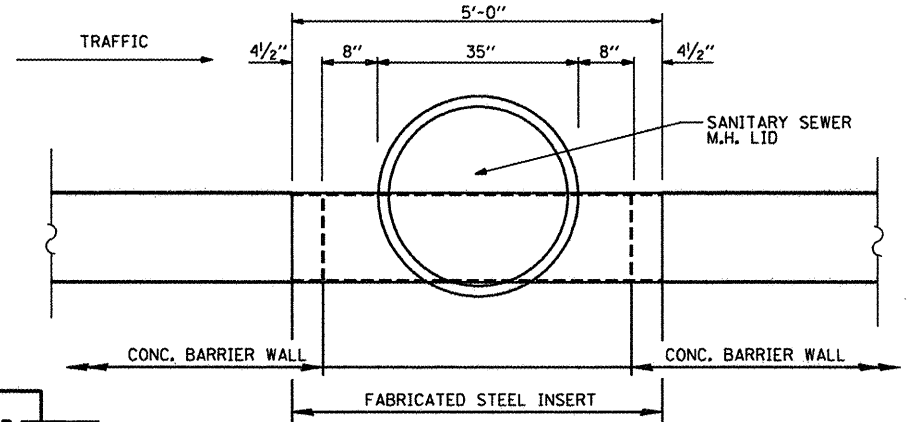
**JUNCTION CHAMBER, SPECIAL
BOTTOM VIEW**



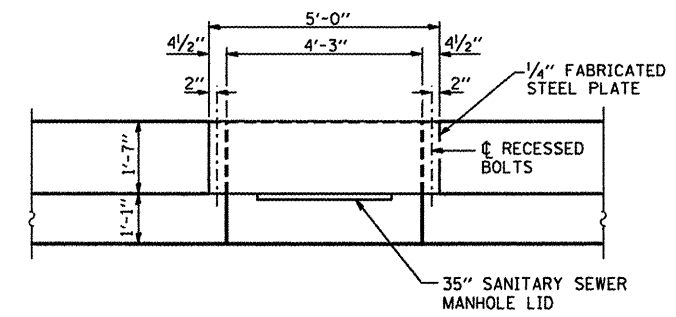
**JUNCTION CHAMBER, SPECIAL
CROSS SECTION
(LOOKING WEST)**



SECTION-PARAPET WALL INSERT

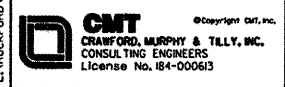


**STEEL FABRICATED PARAPET WALL INSERT
PLAN VIEW**



ELEVATION-PARAPET WALL INSERT

L:\PROJECTS\8022882\0-0000\CONSTR.CONSTR.DET.SHEET113.dgn



USER NAME = Steve Prange	DESIGNED - SJP / MNB	REVISED -
	DRAWN - ERD	REVISED -
PLOT SCALE = 48,000' / IN.	CHECKED - SJP	REVISED -
PLOT DATE = 02/04/11	DATE - 02/04/2011	REVISED -

**CITY OF ROCKFORD
MORGAN STREET BRIDGE**

**PROPOSED SANITARY SEWER RELOCATION
CONSTRUCTION DETAILS**

SCALE: N/A SHEET NO. 4 OF 5 SHEETS STA. TO STA.

F.A. RTE.	SECTION	COUNTY	TOTAL SHEETS	SHEET NO.
5077	99-00493-00-BR	WINNEBAGO	253	113
CONTRACT NO. 85529			FED. ROAD DIST. NO. 2 ILLINOIS FED. AID PROJECT BRN-509965	