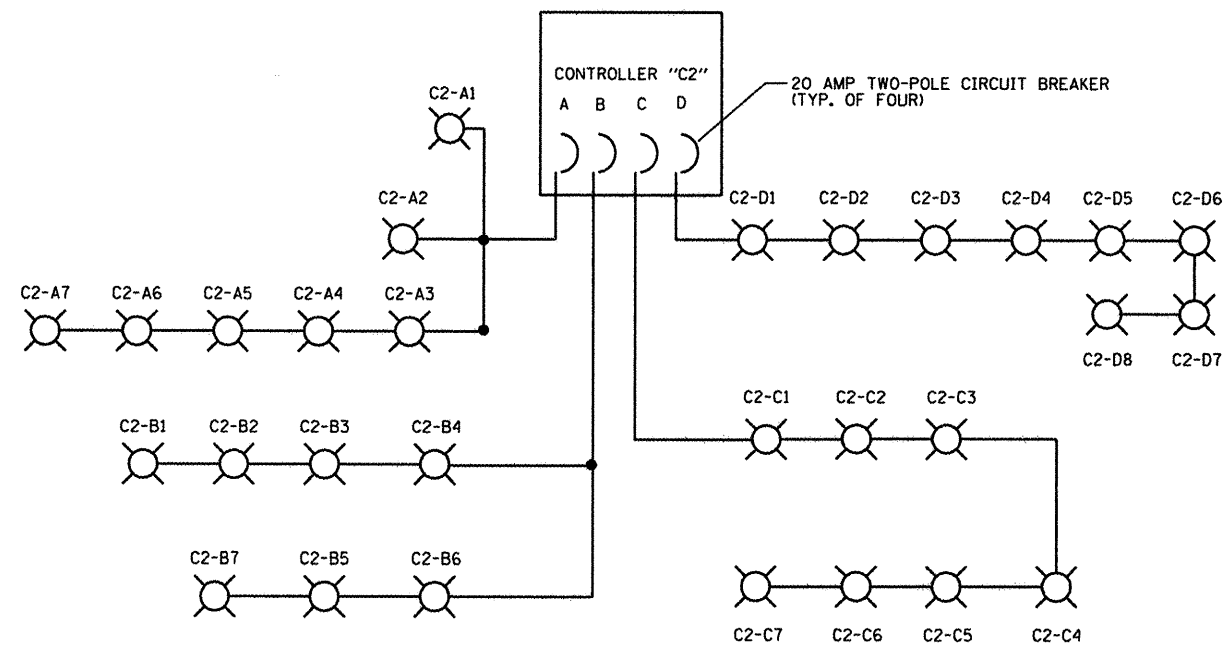


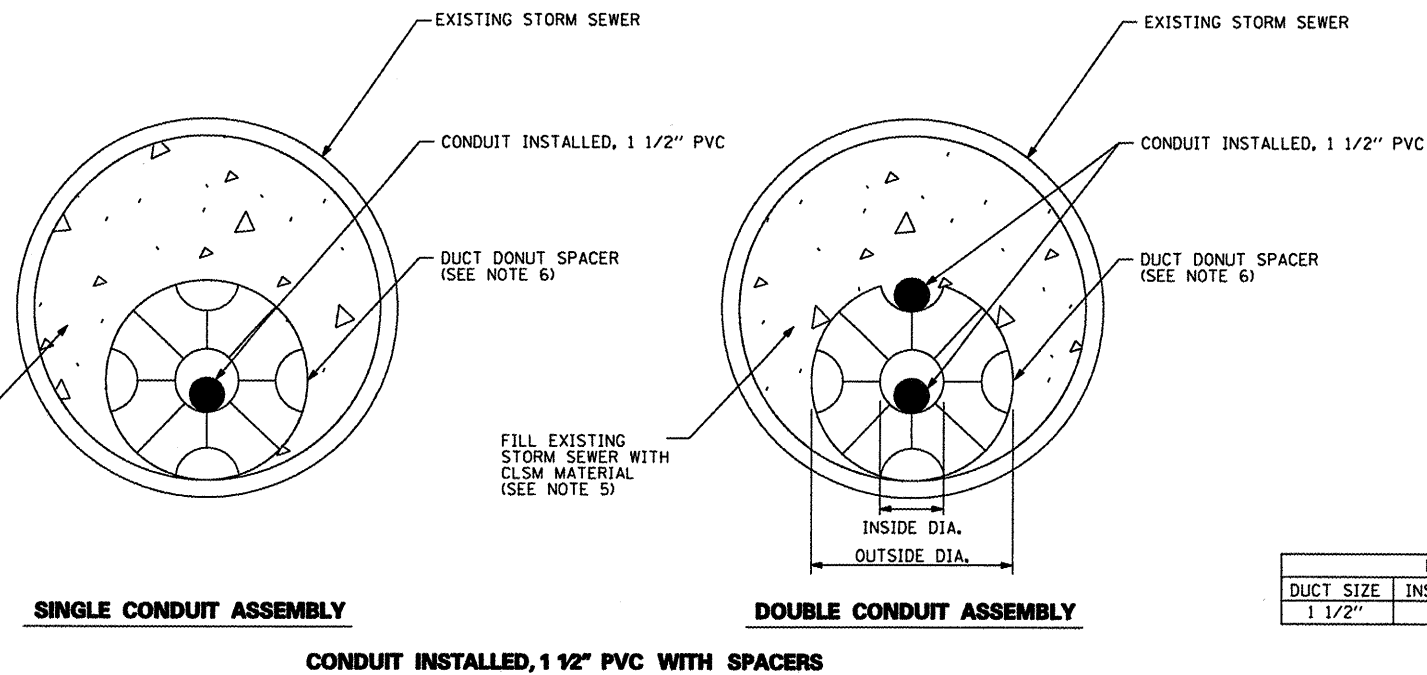
**ROADWAY LIGHTING CONTROLLER "C1" ONE-LINE**

CONTROLLER "C1" LOAD SCHEDULE		
CIRCUIT #	AMPERES	WATTAGE
A	11.45	4400
B	11.45	4400



**ROADWAY LIGHTING CONTROLLER "C2" ONE-LINE**

CONTROLLER "C2" LOAD SCHEDULE		
CIRCUIT #	AMPERES	WATTAGE
A	7.29	2800
B	6.25	2400
C	5.33	2050
D	6.77	2600



**CONDUIT INSTALLED, 1 1/2" PVC WITH SPACERS**

**NOTES:**

1. USE ONE DUCT SPACER FOR EVERY 5 FEET OF EXISTING STORM SEWER CASING.
2. INSTALL DUCT SPACERS PERPENDICULAR TO CONDUITS TO REDUCE THE TENDENCY OF CONDUITS TO CORKSCREW.
3. CONTRACTOR MUST COORDINATE WITH DUCT SPACER MANUFACTURER ON INSTALLATION MEANS TO PREVENT THE DUCTBANK FROM ROTATING DURING INSTALLATION. DUCT SPACERS MUST BE HELD IN PLACE WITH NON-METALLIC STRAPS AND HOLD DOWN BARS.
4. THE DUCTBANK MUST BE HELD IN POSITION AT BOTH ENDS TO ACCOMODATE POSSIBLE UNEVEN THRUST LOADS THAT MAY BE GENERATED DURING THE GROUTING OPERATION.
5. THE COST FOR FILLING THE EXISTING STORM SEWER WITH CLSM SHALL BE INCLUDED IN THE CONTRACT UNIT COST FOR CONDUIT INSTALLED, 1 1/2" PVC.
6. THE COST FOR DUCT DONUT SPACERS AND ANY ASSOCIATED STRAPS USED TO HOLD THE CONDUIT IN PLACE SHALL BE INCLUDED IN THE CONTRACT UNIT COST FOR CONDUIT INSTALLED, 1 1/2" PVC.

DUCT DONUT SPACER SPECIFICATIONS			
DUCT SIZE	INSIDE DIAMETER	OUTSIDE DIAMETER	THICKNESS
1 1/2"	2 3/4"	8 3/4"	1 1/4"

L:\ROCKFORD\8626802\Drawings\CDL\Sheets\LE Lighting\_Details\_02.dgn



USER NAME = Steve Prange	DESIGNED - SJP / MNB	REVISED -
PLOT SCALE = 40,0000' / IN.	DRAWN - ERD	REVISED -
PLOT DATE = 02/04/11	CHECKED - SJP	REVISED -
	DATE - 02/04/2011	REVISED -

**CITY OF ROCKFORD  
MORGAN STREET BRIDGE**

**ELECTRICAL DETAILS - 2**

SCALE: N/A SHEET NO. 2 OF 8 SHEETS STA. TO STA.

F.A. RTE.	SECTION	COUNTY	TOTAL SHEETS	SHEET NO.
5077	99-00493-00-BR	WINNEBAGO	253	120
FED. ROAD DIST. NO. 2 ILLINOIS			CONTRACT NO. 85529	
FED. AID PROJECT BRM-509965				