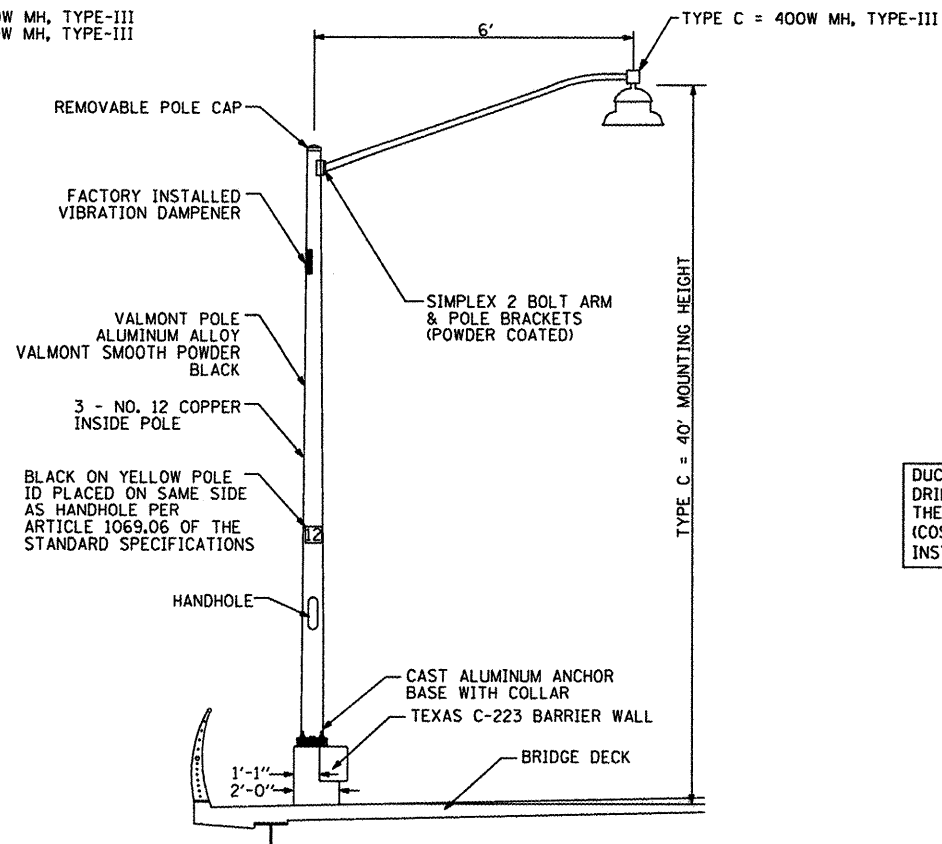
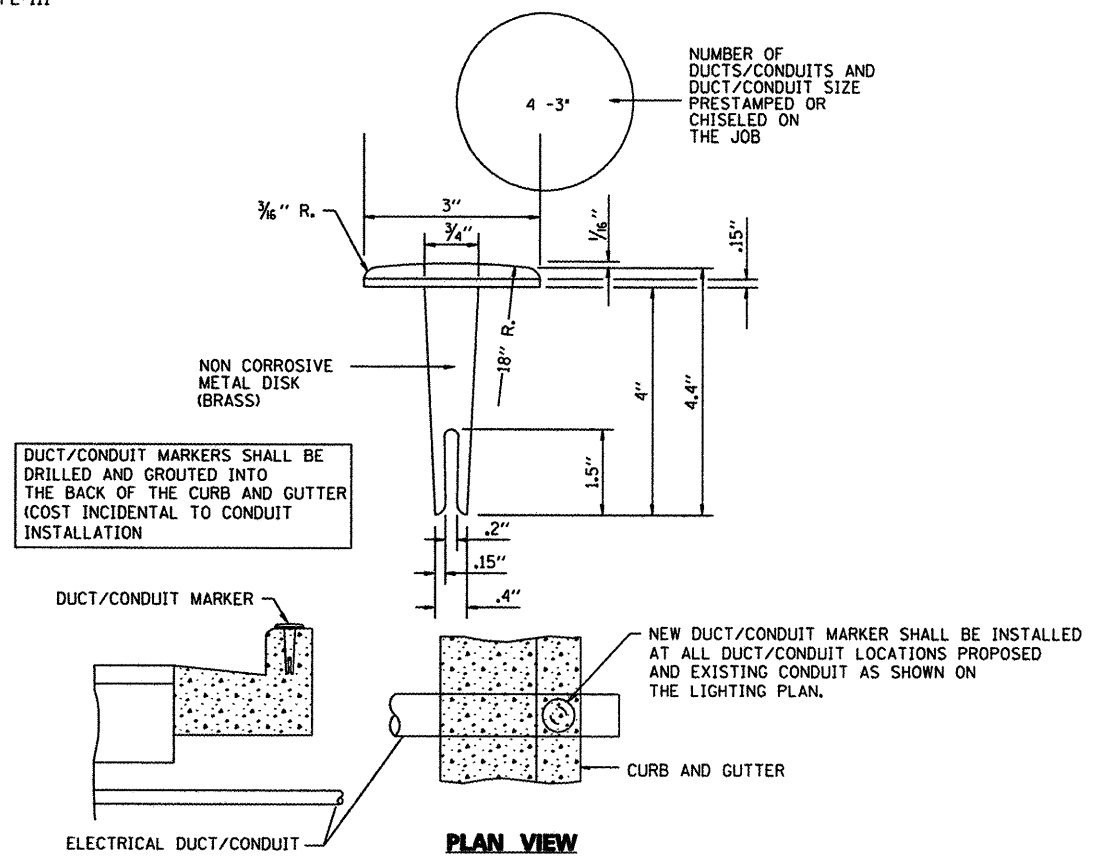


LIGHT POLES TYPE A & B



LIGHT POLE TYPE C (ON BRIDGE)



**DUCT MARKER DETAIL
NOT TO SCALE**

- NOTES:**
1. REFER TO IDOT STANDARD DWG. BE-301 FOR LIGHT POLE DETAILS. (SHEETS 124 & 125)
 2. REFER TO IDOT STANDARD DWG. BE-702 FOR POLE WIRING AND TRENCH DETAILS. (SHEET 126)

LUMINAIRE SCHEDULE					
TYPE	DESCRIPTION	MANUFACTURER	POLE	LAMP	VOLTAGE
TYPE A	DOMUS 55 SERIES, TYPE III CUTOFF CATALOG DMS55-400MH-SG3-480V	LUMEC	VALMONT 40 FT M.H., 6 FT. MAST ARM ON CONCRETE FOUNDATION	400W M.H.	480 V
TYPE B	DOMUS 55 SERIES, TYPE III CUTOFF CATALOG DMS55-250MH-SG3-480V	LUMEC	VALMONT 30 FT M.H., 6 FT. MAST ARM ON CONCRETE FOUNDATION	250W M.H.	480 V
TYPE C	DOMUS 55 SERIES, TYPE III CUTOFF CATALOG DMS55-400MH-SG3-480V	LUMEC	VALMONT 40 FT M.H., 6 FT. MAST ARM ON PARAPET WALL MOUNTED	400W M.H.	480 V

L:\PROJECTS\08262885\Drawings\Lighting\Details\08262885.dwg

CMT
 CRAWFORD, MURPHY & TILLY, INC.
 CONSULTING ENGINEERS
 License No. 084-000613

USER NAME = Steve Prange	DESIGNED - SJP / MNB	REVISED -
	DRAWN - ERD	REVISED -
PLOT SCALE = 48,0000' / IN.	CHECKED - SJP	REVISED -
PLOT DATE = 02/04/11	DATE - 02/04/2011	REVISED -

**CITY OF ROCKFORD
MORGAN STREET BRIDGE**

ELECTRICAL DETAILS - 3

SCALE: N/A SHEET NO. 3 OF 8 SHEETS STA. TO STA.

F.A. RTE.	SECTION	COUNTY	TOTAL SHEETS	SHEET NO.
5077	99-00493-00-BR	WINNEBAGO	253	121
CONTRACT NO. 85529				
FED. ROAD DIST. NO. 2 [ILLINOIS] FED. AID PROJECT BRM-509965				