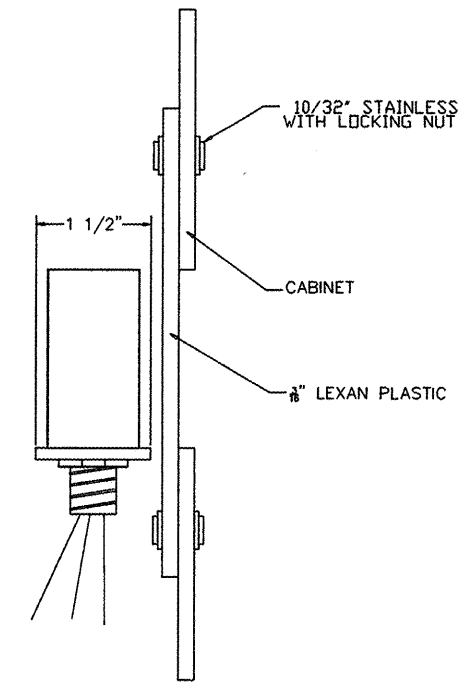
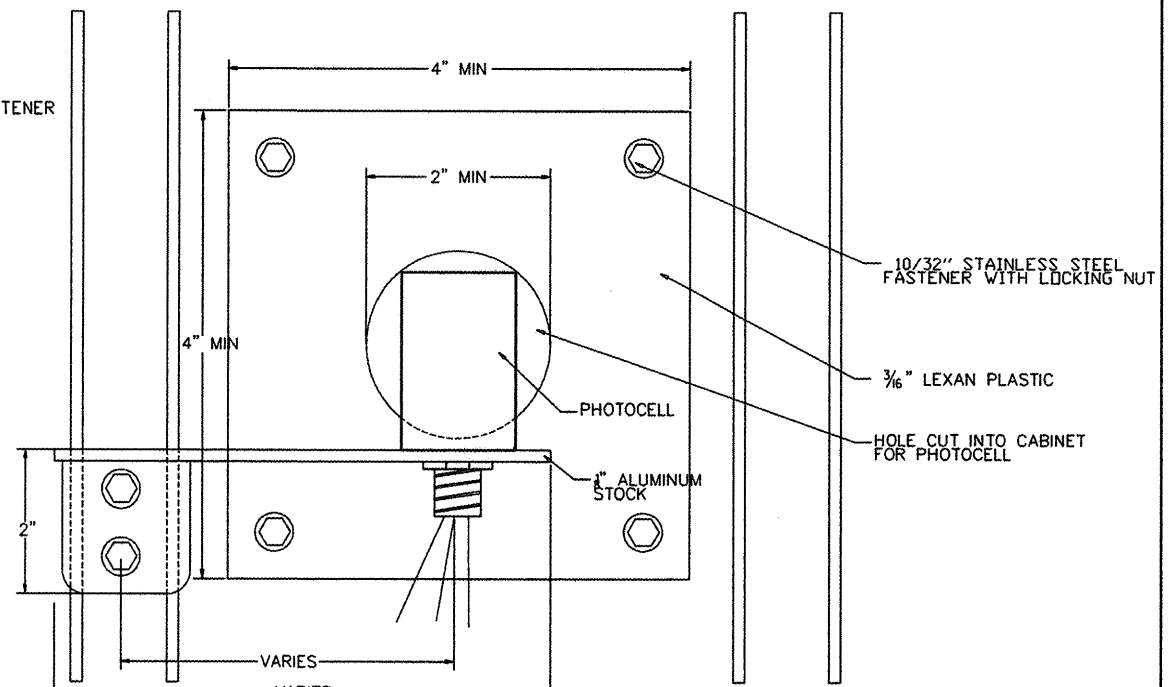


**FIBER OPTICS AND STREET LIGHTING CONDUIT TRENCH**

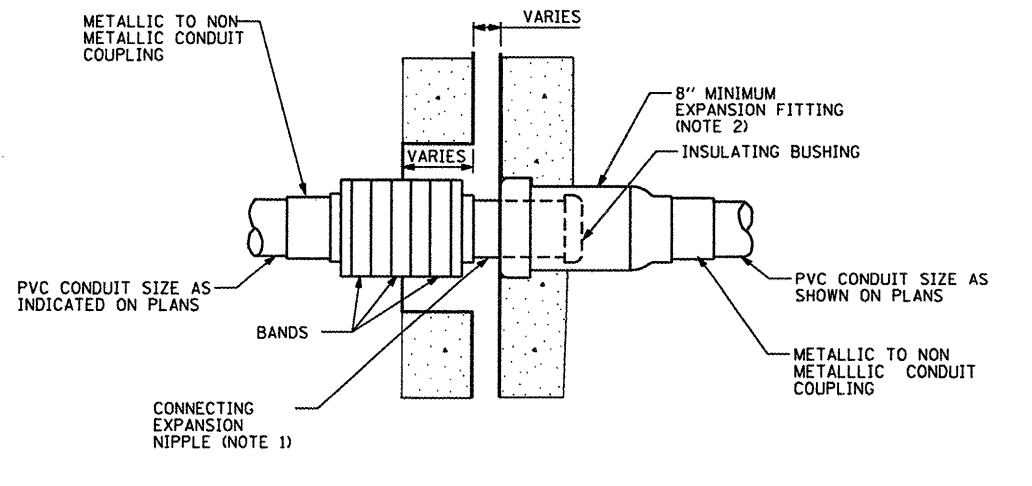


**SIDE VIEW**



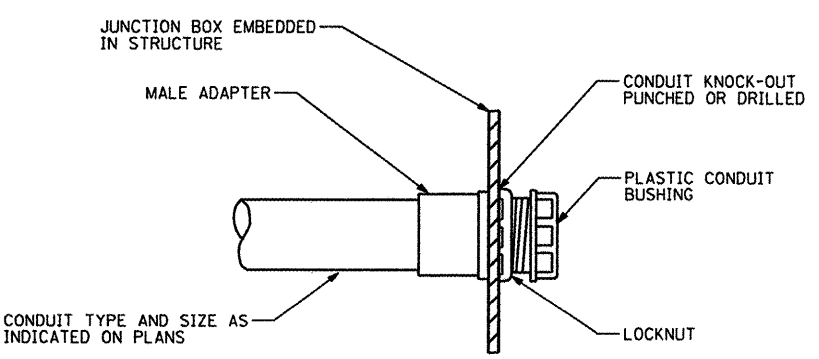
**FRONT VIEW**

**PHOTOCELL MOUNTING DETAIL**

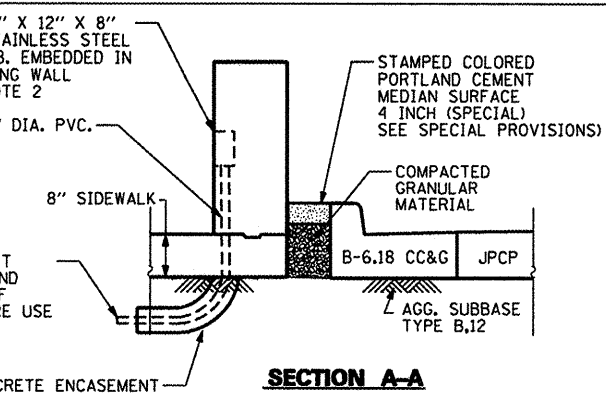


**DETAIL 1 CONDUIT EXPANSION / DEFLECTION COUPLING**

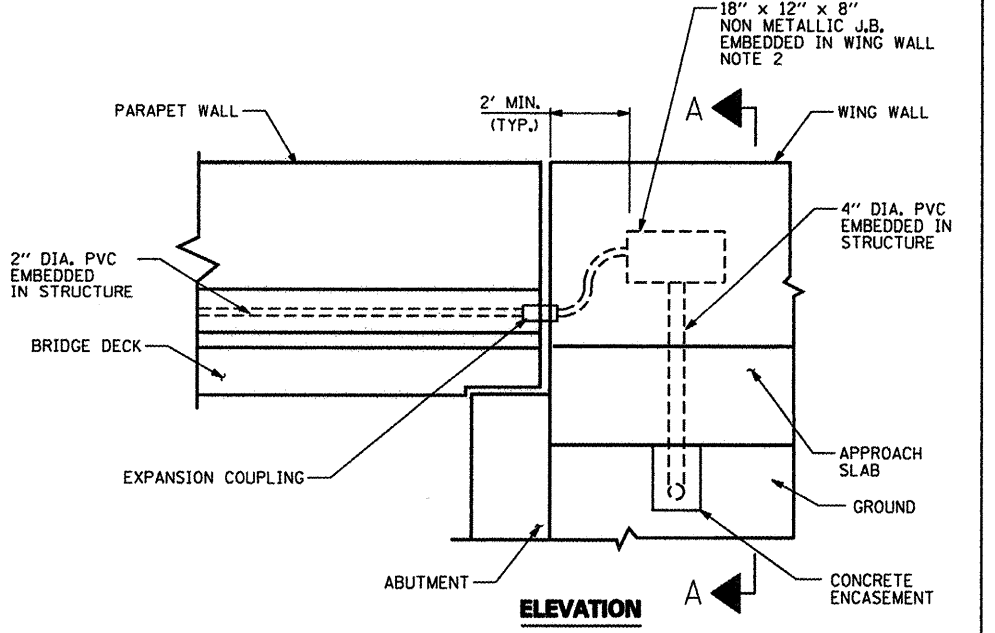
- NOTES:
1. PROVIDE REQUIRED LENGTH OF CONNECTING EXPANSION NIPPLE. REFER TO STRUCTURAL DRAWINGS FOR THE EXPANSION JOINT CHARACTERISTICS
  2. THE BARREL OF THE FITTING SHALL BE FULLY EMBEDDED IN THE CONCRETE OF ONE SIDE OF THE EXPANSION JOINT.
  3. A CAVITY OPENING, IF REQUIRED, SHALL BE 3" (76.2 mm) LARGER DIAMETER AND A MAXIMUM DEPTH OF HALF OF THE DEFLECTION SLEEVE LENGTH. THE DEFLECTION FITTING SHALL BE CENTERED IN THE OPENING AND EMBEDDED IN THE CONCRETE ONLY UP TO THE DEFLECTION FITTING CENTER.
  4. THE EXPANSION FITTING AND ALL HARDWARE AND LABOR SHALL BE INCLUDED IN CONDUIT EMBEDDED IN STRUCTURE PAY ITEM. NO SEPARATE PAYMENT WILL BE MADE.



**DETAIL 2 CONDUIT BOX ENTRY**  
TYPICAL OF ALL JUNCTION BOXES NOT TO SCALE



**SECTION A-A**



**DETAIL 3 WING WALL TO PARAPET WALL CONDUIT TRANSITION**

- NOTES:
1. CONCRETE ENCASED CONDUIT STUBBED FROM JUNCTION BOX TO BELOW GRADE AND ALL HARDWARE AND LABOR SHALL BE INCLUDED IN THE JUNCTION BOX EMBEDDED IN STRUCTURE PAY ITEM. NO SEPARATE PAYMENT WILL BE MADE.
  2. IN ACCORDANCE WITH NEC 314.28(A)(3), JUNCTION BOXES SHALL BE PERMANENTLY MARKED WITH THE MAXIMUM NUMBER AND THE MAXIMUM SIZE OF CONDUCTOR PERMITTED. THE COST OF THIS WORK SHALL BE INCLUDED IN THE JUNCTION BOX PAY ITEM.

L:\PROJECTS\021008682\Drawings\Lighting\Detail 1.dwg

**CMT**  
CRAWFORD, MURPHY & TILLY, INC.  
CONSULTING ENGINEERS  
License No. 04-00063

USER NAME = Steve Prange	DESIGNED - SJP / MNB	REVISED -
DRAWN - ERD	CHECKED - SJP	REVISED -
PLOT SCALE = 48,0000' / IN.	DATE - 02/04/2011	REVISED -
PLOT DATE = 02/04/11		

**CITY OF ROCKFORD  
MORGAN STREET BRIDGE**

**ELECTRICAL DETAILS - 4**

SCALE: N/A SHEET NO. 4 OF 8 SHEETS STA. TO STA.

F.A. RTE.	SECTION	COUNTY	TOTAL SHEETS	SHEET NO.
5077	99-00493-00-BR	WINNEBAGO	253	122
FED. ROAD DIST. NO. 2 [ILLINOIS] FED. AID PROJECT BRW-509965			CONTRACT NO. 85529	