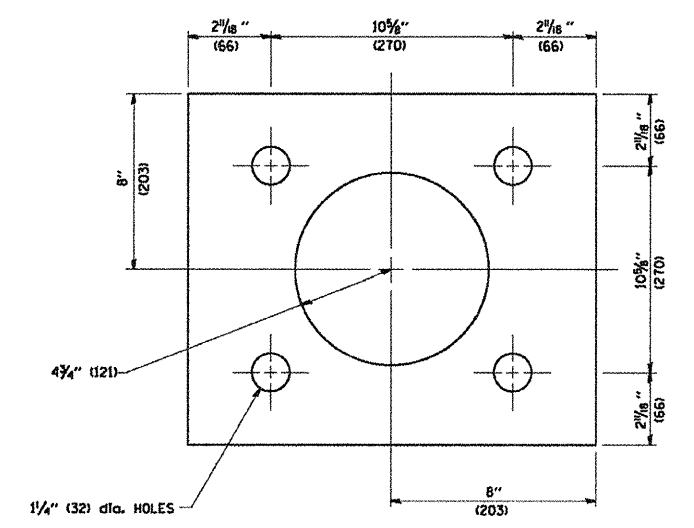
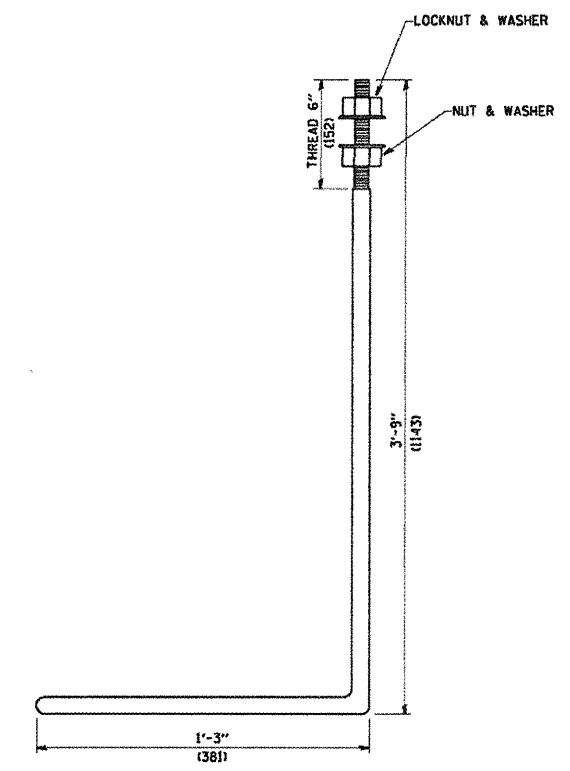


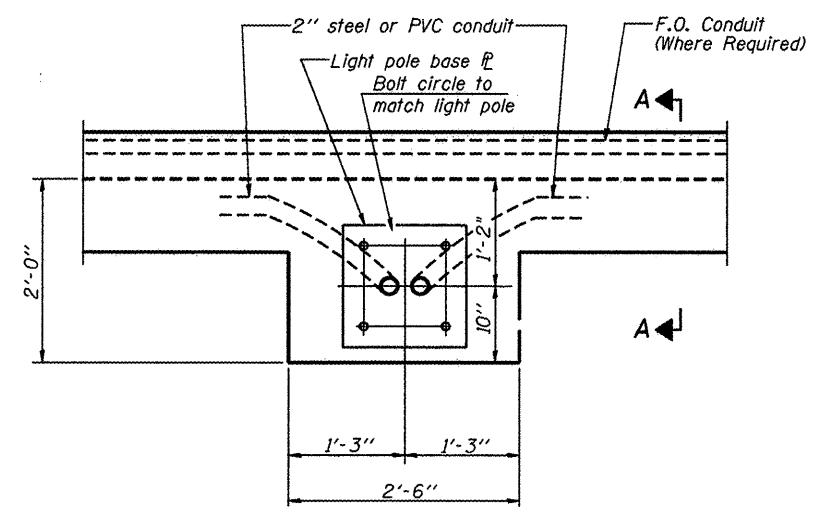
SECTION A-A



LEVELING PLATE DETAIL



1" (25.4) dia. ANCHOR BOLT



PLAN

NOTES

1. ALL DIMENSIONS ARE IN INCHES UNLESS OTHERWISE SHOWN.
2. LEVEL LIGHT POLE PLATES, USING THE FLANGE NUTS, PRIOR TO POURING THE PARAPET WALL. THE TOP OF THE PLATE SHALL BE AT THE SAME ELEVATION AS THE FINISHED CONCRETE PARAPET.
3. THE COST OF ANCHOR BOLTS, LEVELING PLATE AND FOUNDATION IS INCLUDED IN THE COST OF THE LIGHT POLE.
4. SEE STRUCTURAL PLAN SHEET 139 FOR LIGHT BLISTER REINFORCEMENT DETAILS.

LIGHT POLE MOUNTED ON CONCRETE PARAPET WALL
15" BOLT CIRCLE

L:\ARCH\0825802\Drawings\Lighting\Details_07.dgn



USER NAME = Steve Prange	DESIGNED - SJP / MNB	REVISED -
	DRAWN - ERD	REVISED -
PLOT SCALE = 40.0000' / IN.	CHECKED - SJP	REVISED -
PLOT DATE = 02/04/11	DATE - 02/04/2011	REVISED -

CITY OF ROCKFORD
MORGAN STREET BRIDGE

ELECTRICAL DETAILS -- 7

SCALE: N/A SHEET NO. 7 OF 8 SHEETS STA. TO STA.

F.A. RTE.	SECTION	COUNTY	TOTAL SHEETS	SHEET NO.
5077	99-00493-00-BR	WINNEBAGO	253	125
CONTRACT NO. 85529			FED. ROAD DIST. NO. 2 [ILLINOIS] FED. AID PROJECT BRW-5099(65)	