

INDEX OF SHEETS

- S-1 General Plan and Elevation
- S-2 General Data
- S-3 Erection Sequence
- S-4 Deck Pouring Sequence
- S-5 Footing Layout
- S-6 Deck Elevations - I
- S-7 Deck Elevations - II
- S-8 Deck Elevations - III
- S-9 West Bridge Approach Slab Elevations
- S-10 East Bridge Approach Slab Elevations
- S-11 Deck Plan & Cross Section - I
- S-12 Deck Plan & Cross Section - II
- S-13 Superstructure Details - I
- S-14 Superstructure Details - II
- S-15 Preformed Joint Strip Seal Details
- S-15A Finger Plate Exp. Joint Details - I
- S-15B Finger Plate Exp. Joint Details - II
- S-16 Drainage Scupper, DS-12
- S-17 West Bridge Approach Slab Details - I
- S-18 West Bridge Approach Slab Details - II
- S-19 East Bridge Approach Slab Details - I
- S-20 East Bridge Approach Slab Details - II
- S-21 North Parapet Details - I
- S-21A North Parapet Details - II
- S-22 South Parapet Details - I
- S-22A South Parapet Details - II
- S-23 Railing Details - I
- S-23A Railing Details - II
- S-24 Framing Plan & Details - I - Approach Spans
- S-25 Framing Plan & Details - II - Approach Spans
- S-26 Tied Arch Geometry
- S-27 Hanger Geometry Work point Data
- S-28 Tied Arch Half Elevation
- S-29 Tied Arch Camber
- S-30 Tied Arch End T0 and T11
- S-31 Tied Arch End Details - I
- S-32 Tied Arch End Details - II
- S-33 Tied Arch End Details - III
- S-34 Arch Rib RS1 to RS3 and RS10 to RS8
- S-35 Arch Rib RS3 to RS5 and RS8 to RS6
- S-36 Arch Rib RS5 to RS6
- S-37 Arch Rib Field Splice Details - I
- S-38 Arch Rib Field Splice Details - II
- S-39 Arch Rib/Upper Lat. Bracing Misc. Details
- S-40 Upper Lateral Bracing Details
- S-41 Tie Girder TS1 to TS2 and TS6 to TS5
- S-42 Tie Girder TS2 to TS3 and TS5 to TS4
- S-43 Tie Girder TS3 to TS4
- S-44 Tie Girder Splice Details - I
- S-45 Tie Girder Splice Details - II
- S-46 Tie Girder Miscellaneous Details
- S-47 Arch Rib Hanger Details - I
- S-48 Arch Rib Hanger Details - II
- S-49 Tie Girder Hanger Details - I
- S-50 Tie Girder Hanger Details - II
- S-51 Hanger Schedule
- S-52 Hanger Replacement Sequence and Details
- S-53 Framing Plan - Arch Span
- S-54 End Floorbeam Elevation and Section
- S-55 End Floorbeam Details
- S-56 Intermediate Floorbeam Elevation and Section
- S-57 Intermediate Floorbeam Details
- S-58 Miscellaneous Floorbeam Details
- S-59 Floorbeam Camber
- S-60 Stringer Elevations and Details
- S-61 Stringer Connection Details
- S-62 Lower Lateral Bracing Details
- S-63 Bearing Details - Approach Spans
- S-64 Bearing Details - Arch Span
- S-65 Not Used
- S-66 West Abutment
- S-67 East Abutment
- S-68 Abutment Details
- S-69 MSE Wall Details - I
- S-70 MSE Wall Details - II
- S-71 MSE Wall Details - III
- S-72 MSE Wall Details - IV
- S-73 Pier 1
- S-74 Pier 2

- S-75 Piling Details
- S-76 Bar Splicer Details
- S-77 Boring Log - I
- S-78 Boring Log - II
- S-79 Boring Log - III

GENERAL NOTES

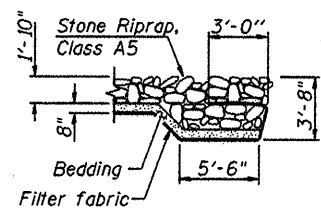
1. Fasteners shall be AASHTO M164 Type 3, bolts. Bolts 7/8 in. ϕ in holes 15/16 in. ϕ , or bolts 1 in. ϕ in holes 1 1/16 in. ϕ unless otherwise noted.
2. Calculated weight of Structural Steel:
 - a: Arch span - Primary members = 2,587,390
 - b: Approach span - Girder and Cross frame = 290,950
 - c: Arch span - Intermediate floorbeam, Stringer and Lower lateral bracing = 836,430
 - d: Bolts and splices = 561,340
3. All structural steel shall be AASHTO M 270 Grade 50W. Steel designated as M270 Grade 50 T3, M270 Grade 50 F3 (FCM), or "NTR" shall conform to mandatory supplemental impact/notch toughness properties for Zone 3.
4. No field welding is permitted except as specified in the contract documents.
5. Reinforcement bars shall conform to the requirements of ASTM A 706 Gr 60.
6. Reinforcement bars designated (E) shall be epoxy coated.
7. If the Contractor elects to use cantilever forming brackets on the exterior beams or girders, the brackets shall be placed at the same locations as required for the hardwood blocks in Article 503.06(b) of the Standard Specifications. If additional cantilever forming brackets are required, hardwood blocking shall be wedged between the exterior and first interior beam at each of these additional bracket locations.
8. Bearing seat surfaces shall be constructed or adjusted to their designated elevations within a tolerance of 1/8 inch (0.01 ft.). Adjustment shall be made either by grinding the surface or by shimming the bearings.
9. Concrete Sealer shall be applied to all exposed surfaces of the backwalls, bridge seats, and front faces of pile caps of the West and East Abutments.
10. The Inorganic Zinc Rich Primer / Acrylic / Acrylic Paint System shall be used for shop and field painting of new structural steel except where otherwise noted. The color of the final finish coat for all interior exposed steel surfaces shall be gray, Munsell No. 5B 7/1. The interior surfaces of all box section of the Tied Arch structure shall be primed and painted white. The color of the final finish coat for the exterior and bottom flange of the Approach Span fascia beams shall be Light Grey, Munsell No. N8. The color of the final finish coat for the exterior surfaces of the Tied Arch structure shall be Light Grey, Munsell No. N8. See Special Provision for "Cleaning and Painting New Metal Structures."
11. Layout of slope protection system may be varied in the field to suit ground conditions as directed by the Engineer.
12. U.N.O. denotes Unless Noted Otherwise.
13. A sign which reads, "DANGER - CONFINED SPACE - ENTER BY PERMIT ONLY" and meets OSHA Standard 1910.146 shall be permanently affixed (welds not permitted) onto each access opening on the structure. The cost of the sign and attachment hardware shall be included in "Furnishing and Erecting Structural Steel". The sign shall be fabricated from steel plate 7"x10"x0.08" and shall be in accordance with the Standard Specifications.



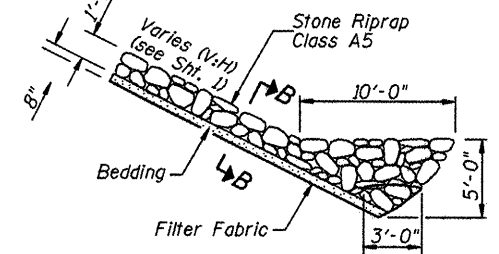
TIED ARCH WARNING SIGN
OSHA Std. 1910.146

ROCK RIVER
BUILT 20... BY
CITY OF ROCKFORD
SEC. 99-00493-00-BR
FA RTE 5077 STA. 49+82.50
STR. NO. 101-6108 LOADING HS-25

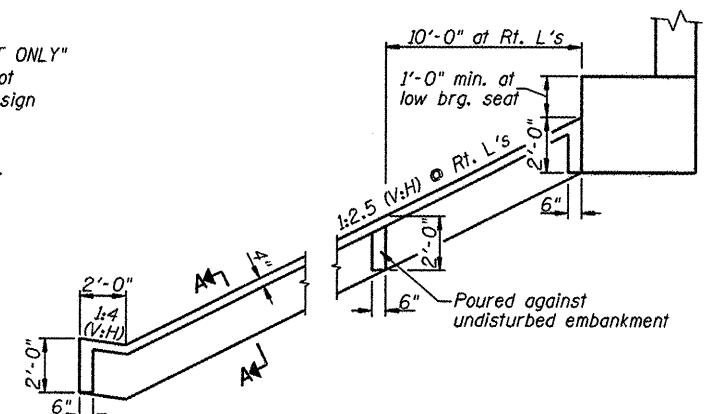
NAME PLATE
See Std. 515001



SECTION B-B

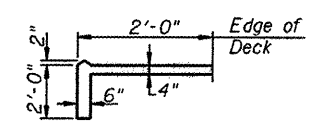


SECTION THRU RIPRAP SLOPEWALL
(Horiz. dim. @ Rt. L's)



SECTION THRU CONCRETE SLOPEWALL
(Horiz. dim. @ Rt. L's)

Slope wall shall be reinforced with welded wire fabric, 6 in. x 6 in. - W4.0 x W4.0, weighing 58 lbs. per 100 sq. ft.

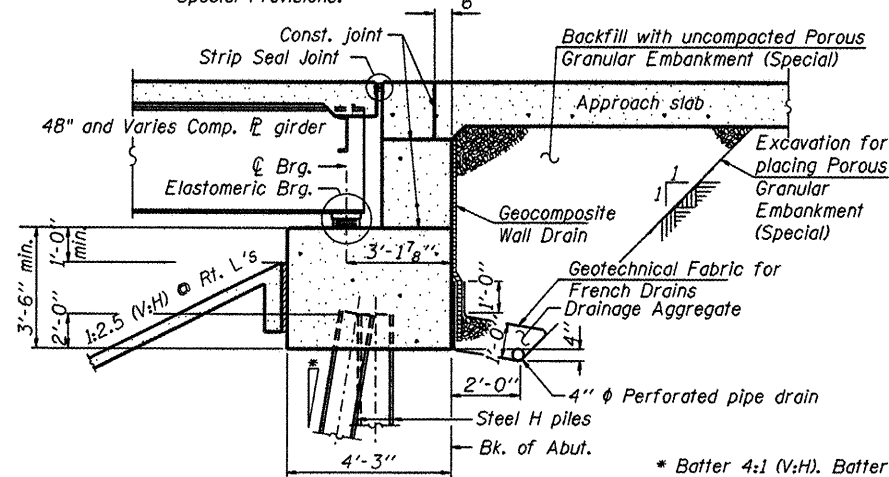


SECTION A-A

TOTAL BILL OF MATERIAL

Item	Unit	Super	Sub	Total
Stone Riprap, Class A5	Sq Yd	-	1,961	1,961
Filter Fabric	Sq Yd	-	2,033	2,033
Gabions	Cu Yd	-	1,450	1,450
Removal of Existing Structures	Each	-	-	1
Structure Excavation	Cu Yd	-	2,995	2,995
Cofferdam Excavation	Cu Yd	-	1,130	1,130
Cofferdam (Location 1)	Each	-	2	2
Concrete Structures	Cu Yd	45.3	1,259.4	1,304.7
Concrete Superstructures	Cu Yd	1,288.7	-	1,288.7
Bridge Deck Grooving	Sq. Yd.	3,088	-	3,088
Seal Coat Concrete	Cu Yd	-	229.1	229.1
Concrete Encasement	Cu Yd	-	6.3	6.3
Form Liner Textured Surface	Sq Ft	-	1,627	1,627
Protective Coat	Sq Yd	5,054	34	5,088
Furnishing and Erecting Structural Steel	L Sum	1	-	1
Stud Shear Connectors	Each	25,881	-	25,881
Reinforcement Bars	Pound	-	1,510	1,510
Reinforcement Bars, Epoxy Coated	Pound	361,560	163,410	524,970
Bar Splicers	Each	-	148	148
Slope Wall 4 Inch	Sq Yd	-	296	296
Furnishing Steel Piles HP12x53	Foot	-	20,196	20,196
Driving Piles	Foot	-	20,196	20,196
Test Pile Steel HP12x53	Each	-	4	4
Pile Shoes	Each	-	229	229
Name Plates	Each	1	-	1
Preformed Joint Strip Seal	Foot	74	-	74
Finger Plate Expansion Joint, 6 1/2"	Foot	72	-	72
Elastomeric Bearing Assembly, Type I	Each	9	-	9
Elastomeric Bearing Assembly, Type III	Each	9	-	9
Anchor Bolts, 1"	Each	36	-	36
Anchor Bolts, 1 1/2"	Each	16	-	16
Anchor Bolts, 2"	Each	16	-	16
Concrete Sealer	Sq Ft	-	1,778	1,778
Geocomposite Wall Drain	Sq Yd	-	78	78
Anti-Graffiti Protection System	Sq Ft	-	10,921	10,921
High Load Multi-Rotational Bearings, Fixed - 2750k	Each	2	-	2
Aggregate Column Ground Improvement	L Sum	-	1	1
Porous Granular Embankment, Special	Cu Yd	-	153	153
Bicycle Railing, Special	Foot	1,253	-	1,253
Parapet Railing, Special	Foot	1,281	-	1,281
High Load Multi-Rotational Bearings, Guided Expansion - 2800K	Each	2	-	2
Drainage Scuppers, DS-12	Each	12	-	12
Mechanically Stabilized Earth Retaining Wall	Sq Ft	-	5,163	5,163
Pipe Underdrains for Structures 4"	Foot	-	80	80

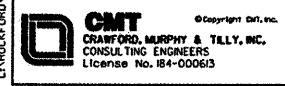
Note: The cost of salvaging the existing Name Plate and Metal Pedestrian Rail will be included in Removal of Existing Structures. See Special Provisions.



SECTION THRU EAST ABUTMENT
(Horiz. dim. @ Rt. L's)

* Batter 4:1 (V:H). Batter alternate piles.

L:\ROCKRIVER\2012\201202\Drawings\Sheet\A.S.02\Notes_B01.dwg



DESIGNED - PA, JDJ, BPD, CJW	REVISED -
DRAWN - GLD	REVISED -
CHECKED - RJK	REVISED -
DATE - 02/04/2011	REVISED -

CITY OF ROCKFORD
MORGAN STREET BRIDGE

GENERAL DATA	
STRUCTURE NO. 101-6108	
SCALE:	SHEET NO. 2 OF 79 SHEETS
STA. 47+00.74 TO STA. 52+63.50	

F.A.U. RTE.	SECTION	COUNTY	TOTAL SHEETS	SHEET NO.
5077	99-00493-00-BR	WINNEBAGO	253	128
CONTRACT NO. 85529			FED. ROAD DIST. NO. 2 ILLINOIS FED. AID PROJECT BRN-509165	