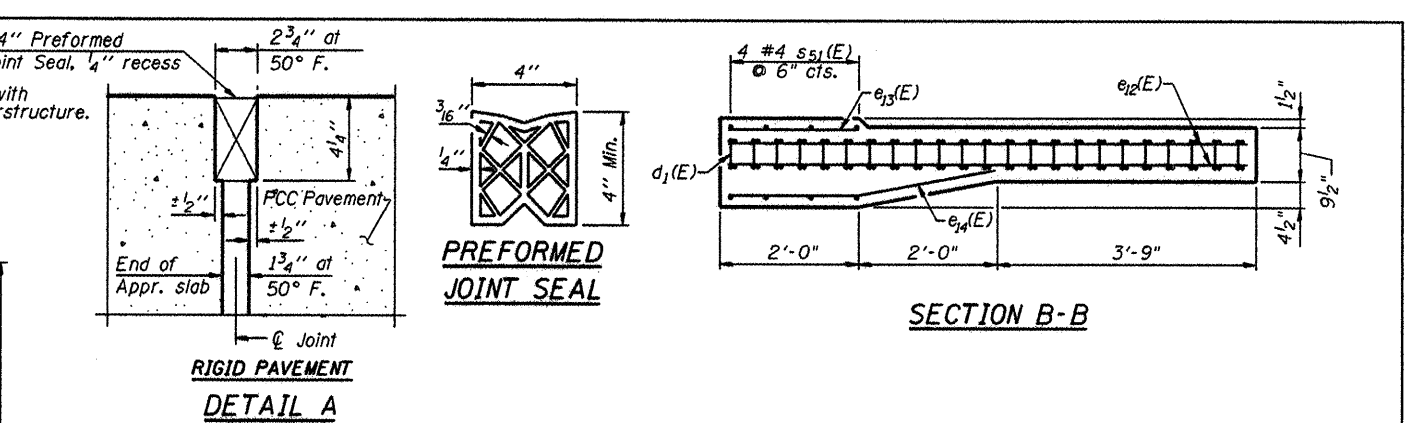
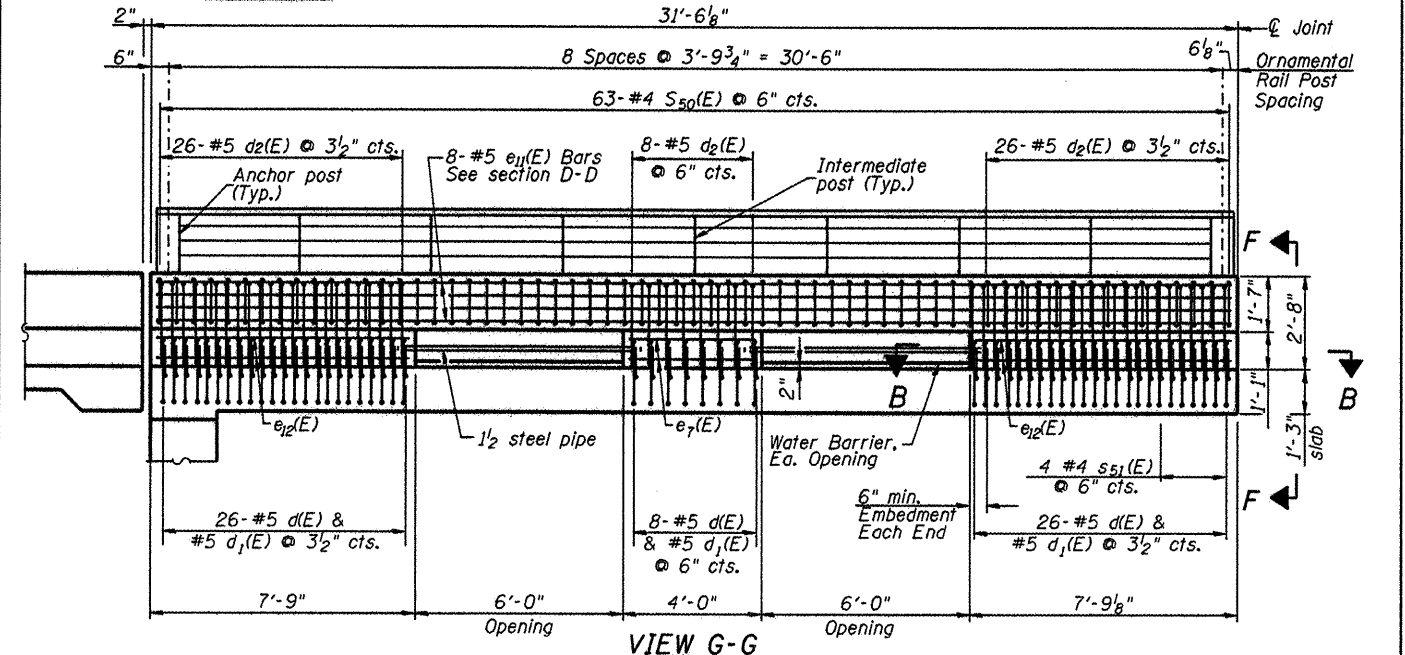


PLAN

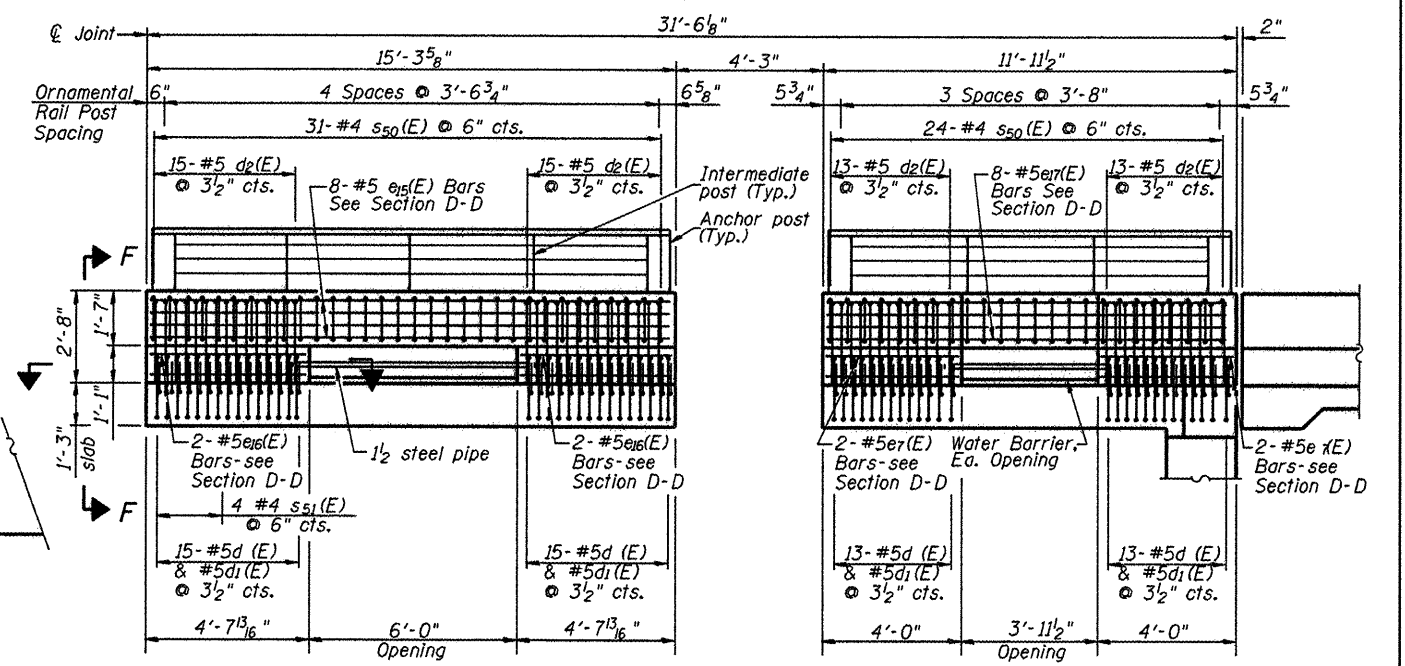


**RIGID PAVEMENT
DETAIL A**

SECTION B-B



VIEW G-G

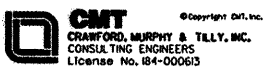


VIEW E-E

Notes:
See sheet 20 of 9 for Sections C-C, D-D & F-F.
a40(E) and a41(E) bar spacings measured along \bar{C} Rdwy.

* Tilt #9 b41(E), #9 b42(E), and #9 b43(E) bars as required to maintain clearance.
** Cut a40(E), a41(E), and b40(E) bars to fit around proposed sewer junction box openings.

L:\ROCKFORD\885682\0-AN\CADD\Sheets\19_E_BRIDGE_APP_SLAB_DTLS.dgn



HNTB

DESIGNED - PA, JDJ, BPD, CJW	REVISED -
DRAWN - GLD	REVISED -
CHECKED - RJK	REVISED -
DATE - 02/04/2011	REVISED -

**CITY OF ROCKFORD
MORGAN STREET BRIDGE**

**EAST BRIDGE APPROACH SLAB DETAILS - I
STRUCTURE NO. 101-6108**

SCALE: SHEET NO. 19 OF 79 SHEETS STA. 47+00.74 TO STA. 52+63.50

F.A.U. RTE.	SECTION	COUNTY	TOTAL SHEETS	SHEET NO.
5077	99-00493-00-BR	WINNEBAGO	253	145
FED. ROAD DIST. NO. 2 ILLINOIS FED. AID PROJECT BRM-5091651			CONTRACT NO. B5529	