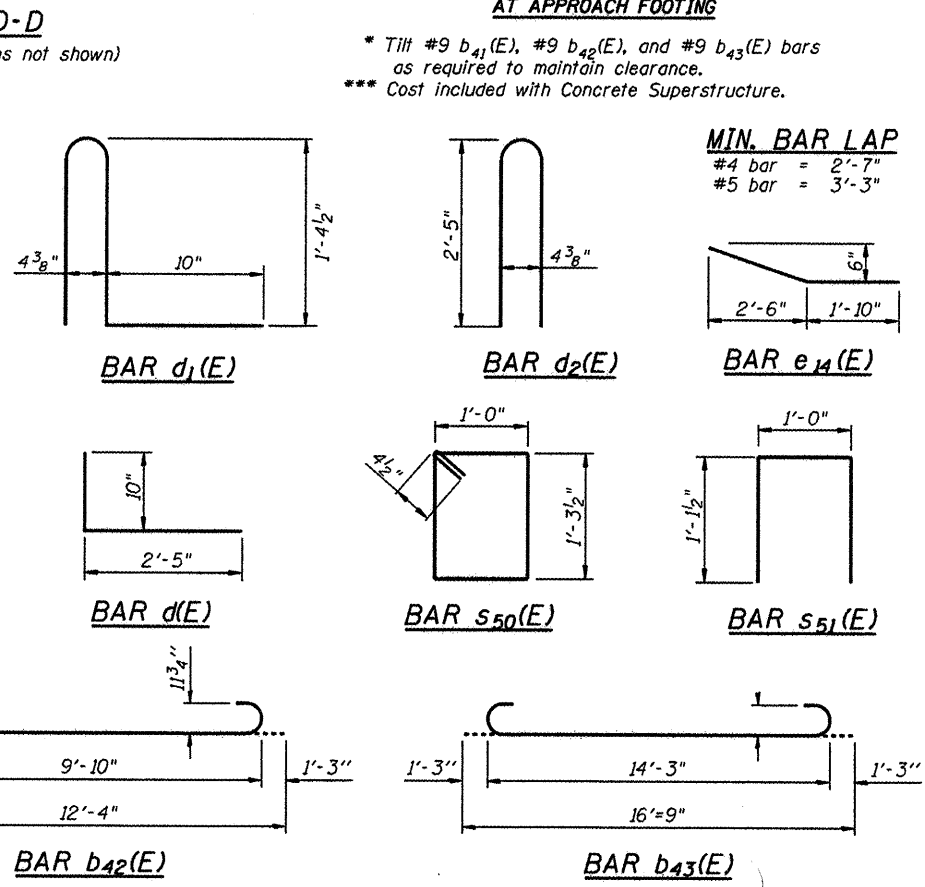
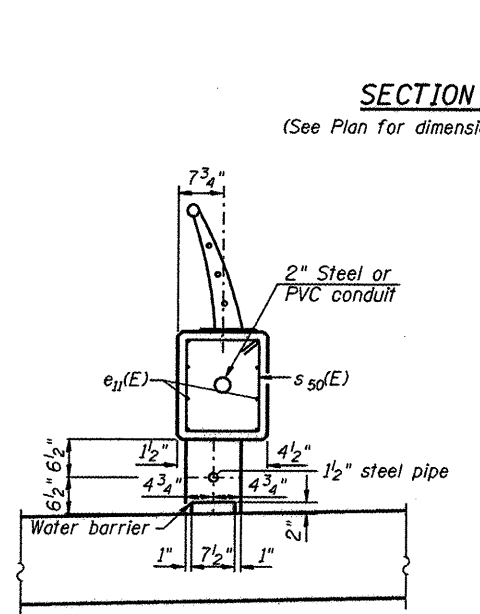
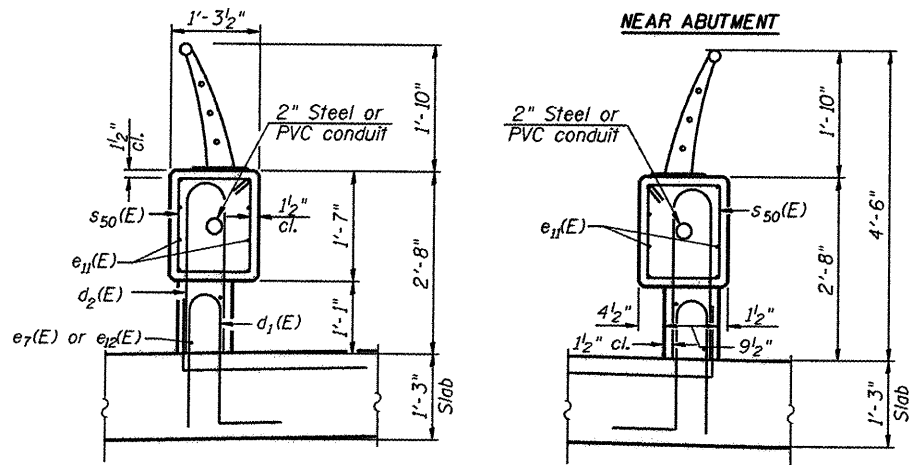
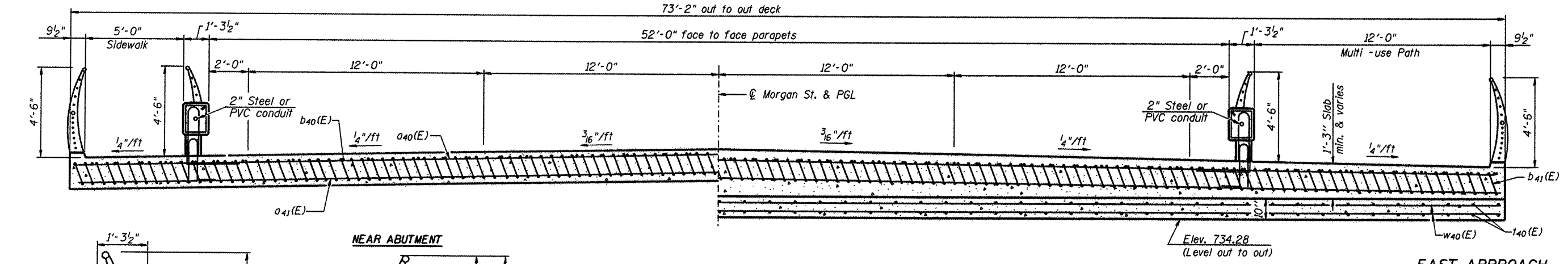


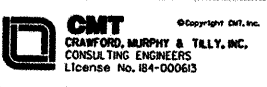
Notes:
 See sheet 19 of 79 for Detail A and Section F-F.
 Approach slab and parapet concrete shall be paid for as Concrete Superstructure.
 Approach footing concrete shall be paid for as Concrete Structures.
 Reinforcement shall be paid for as Reinforcement Bars, Epoxy Coated.
 For $v_{40}(E)$ bar details, see sheet 67 of 79.
 The approach footing maximum applied service bearing pressure (Q_{max}) = 2.0 ksf.
 For bar splicer details, see sheet 76 of 79.
 Cost of excavation for approach footing included with Concrete Structures.
 For Porous Granular Embankment (Special) and drainage treatment details, see sheet 2 of 79.
 For additional parapet details, see sheet 13 of 79.



EAST APPROACH BILL OF MATERIAL

Bar	No.	Size	Length	Shape
$a_{40}(E)$	50	#4	37'-11"	—
$a_{41}(E)$	92	#5	38'-3"	—
$b_{40}(E)$	59	#4	29'-8"	—
$b_{41}(E)$	154	#9	29'-9"	—
$b_{42}(E)$	21	#9	12'-4"	—
$b_{43}(E)$	21	#9	16'-9"	—
$b_{44}(E)$	16	#9	12'-9"	—
$d(E)$	120	#5	3'-3"	—
$d_1(E)$	120	#5	3'-9 1/2"	—
$d_2(E)$	120	#5	5'-0 1/2"	—
$e_{11}(E)$	16	#5	31'-2"	—
$e_{12}(E)$	8	#5	7'-6"	—
$e_7(E)$	4	#5	3'-9"	—
$e_{13}(E)$	4	#5	1'-9"	—
$e_{14}(E)$	4	#5	5'-5"	—
$s_{50}(E)$	126	#4	5'-4"	□
$s_{51}(E)$	8	#4	3'-3"	□
$t_{40}(E)$	148	#4	9'-8"	—
$w_{40}(E)$	80	#5	38'-3"	—
Concrete Superstructure		Cu. Yd.	115.8	
Concrete Structures		Cu. Yd.	22.7	
Reinforcement Bars, Epoxy Coated		Pound	31,210	
Bridge Deck Grooving		Sq. Yd.	164.0	
Protective Coat		Sq. Yd.	257.0	

L:\PROJECTS\BRIDGE\Drawings\CD00_Sheets\28_E.BRIDGE_APP_SLAB_DTL_S.2.dgn



DESIGNED - PA, JDJ, BPD, CJW	REVISED -
DRAWN - GLD	REVISED -
CHECKED - RJK	REVISED -
DATE - 02/04/2011	REVISED -

**CITY OF ROCKFORD
MORGAN STREET BRIDGE**

**EAST BRIDGE APPROACH SLAB DETAILS - II
STRUCTURE NO. 101-6108**

SCALE: SHEET NO. 20 OF 79 SHEETS STA. 47+00.74 TO STA. 52+63.50

F.A.U. RT.E.	SECTION	COUNTY	TOTAL SHEETS	SHEET NO.
5077	99-00493-00-BR	WINNEBAGO	253	146
CONTRACT NO. 85529				
FED. ROAD DIST. NO. 2 [ILLINOIS] FED. AID PROJECT BRN-5099651				