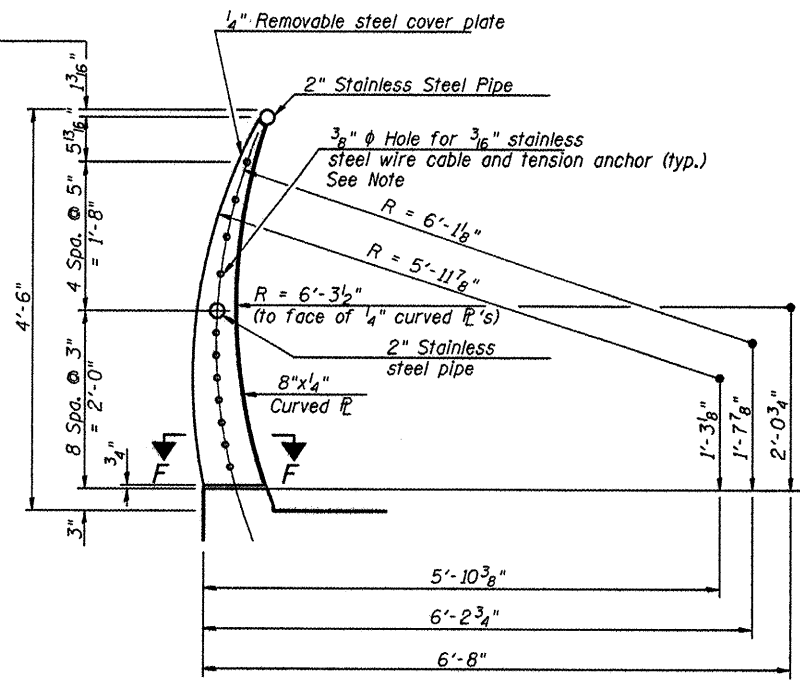
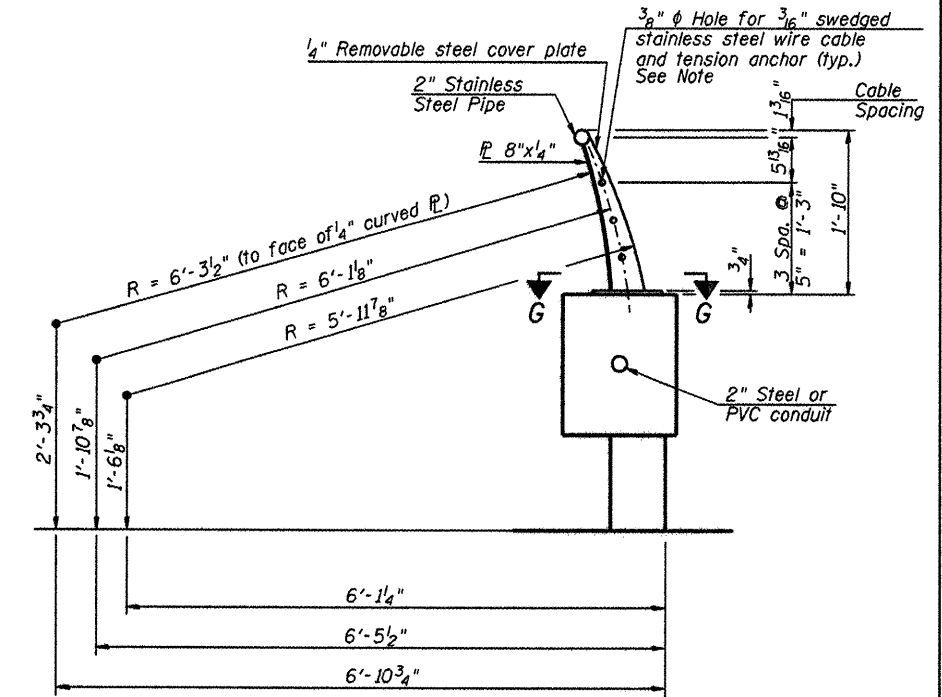


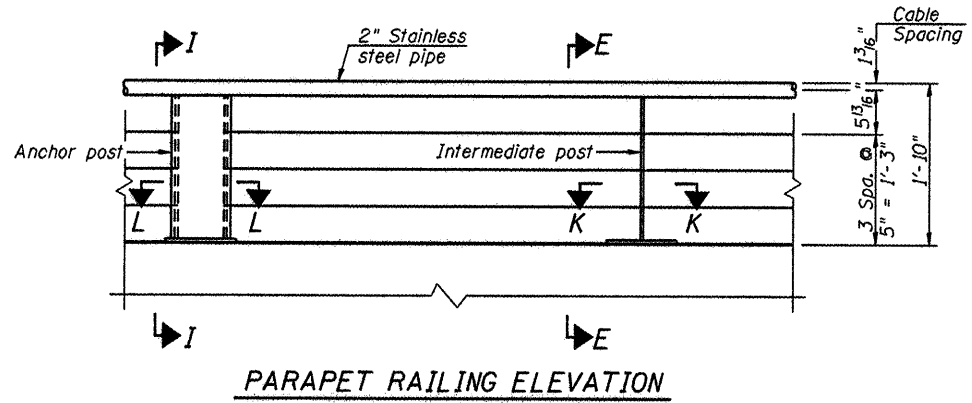
PEDESTRIAN RAILING ELEVATION



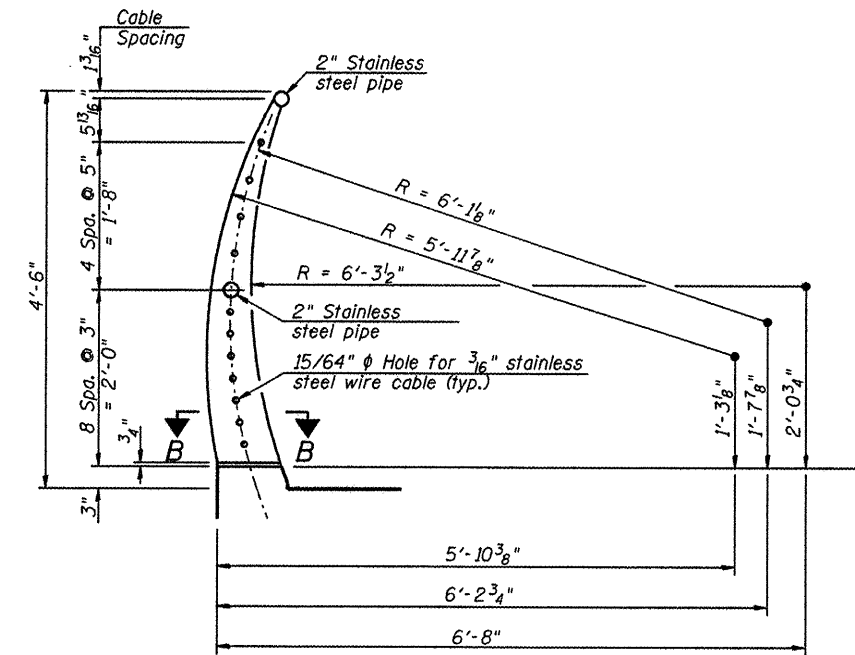
SECTION H-H
PEDESTRIAN RAIL ANCHOR POST



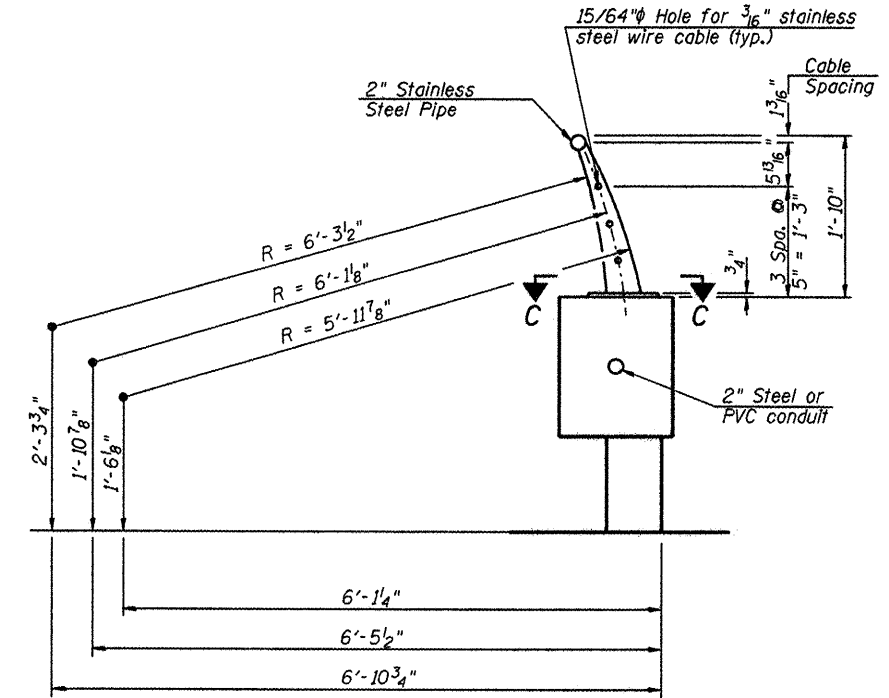
SECTION I-I



PARAPET RAILING ELEVATION



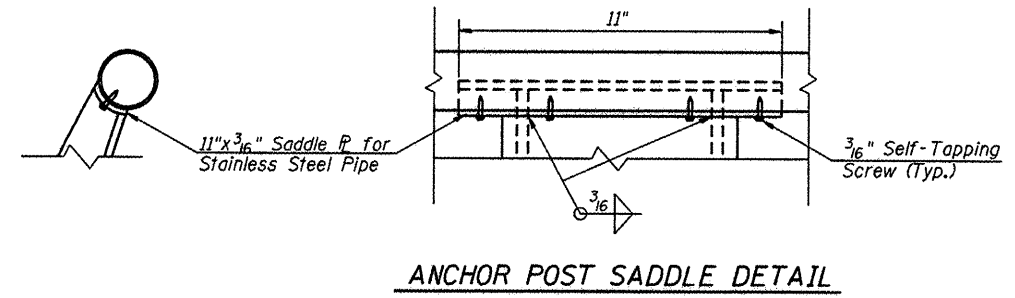
SECTION D-D
PEDESTRIAN RAIL INTERMEDIATE POST



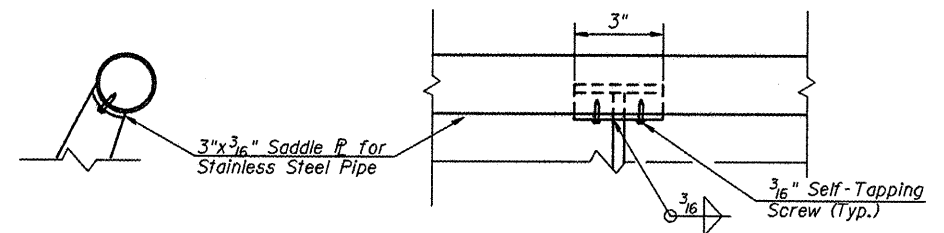
SECTION E-E

NOTE:
Offset holes for cables in anchor posts to allow for proper installation of wire cable tension anchors.

NOTES:
1. Work this sheet with Sheet 23A.
2. For rail post spacing, see sheets 17, 19 & 21 thru 22A.



ANCHOR POST SADDLE DETAIL



INTERMEDIATE POST SADDLE DETAIL

L:\PROJECTS\RD\2626802\0-aa\CAD\Drawings\25_Railing_Details.dgn



HNTB

| | |
|------------------------------|-----------|
| DESIGNED - PA, JDJ, BPD, CJW | REVISED - |
| DRAWN - GLD | REVISED - |
| CHECKED - RJK | REVISED - |
| DATE - 02/04/2011 | REVISED - |

**CITY OF ROCKFORD
MORGAN STREET BRIDGE**

**RAILING DETAILS
STRUCTURE NO. 101-6108**

SCALE: SHEET NO. 23 OF 79 SHEETS STA. 47+00.74 TO STA. 52+63.50

| F.A.U. RTE. | SECTION | COUNTY | TOTAL SHEETS | SHEET NO. |
|--------------------|----------------|-----------|--|-----------|
| 5077 | 99-00493-00-BR | WINNEBAGO | 253 | 149 |
| CONTRACT NO. 85529 | | | FED. ROAD DIST. NO. 2 ILLINOIS FED. AID PROJECT BRM-509965 | |