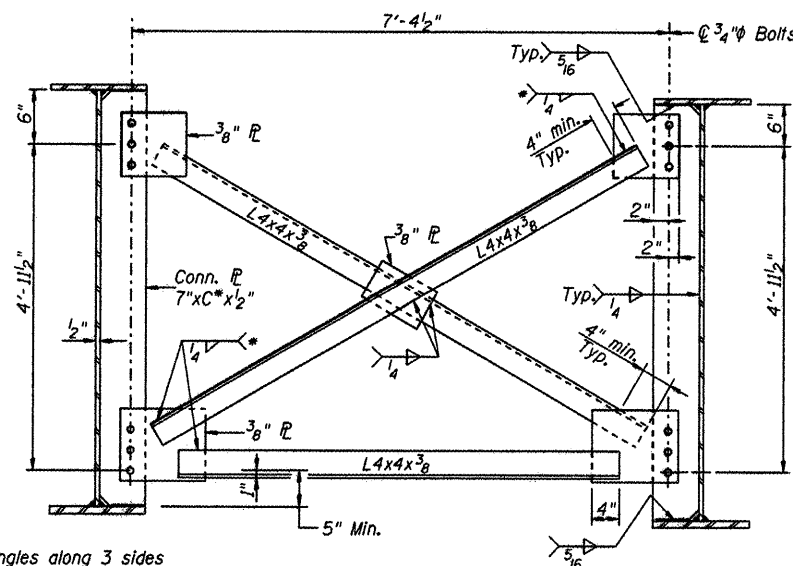
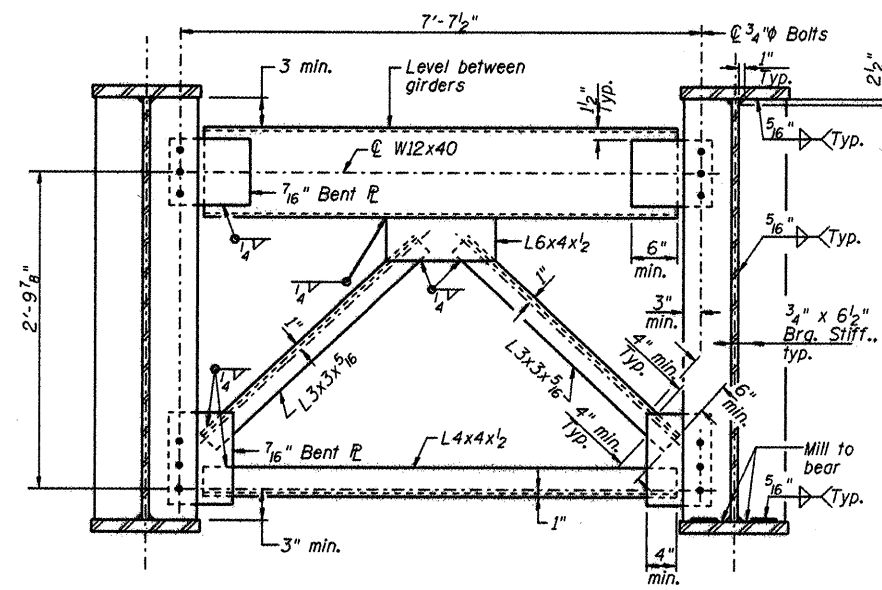


**INTERIOR CROSS FRAME, CF1**  
(32 Required)



**INTERIOR CROSS FRAME, CF2**  
(16 Required)

\* Fillet weld angles along 3 sides on one face of gusset plate.

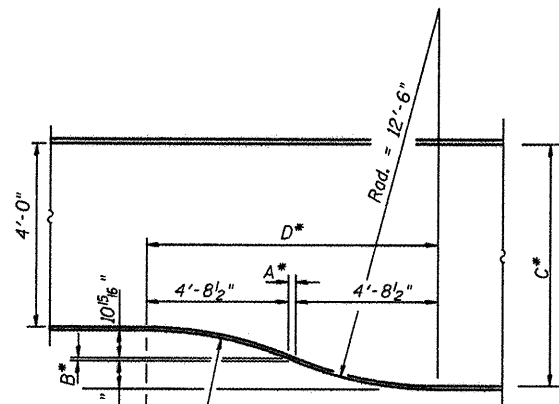


**END CROSS FRAME, CF**  
(8 Required)

All cross frames shall be installed as steel is erected and secured with erection pins and bolts except as otherwise noted. Individual cross frames at supports may be temporarily disconnected to install bearing anchor rods.

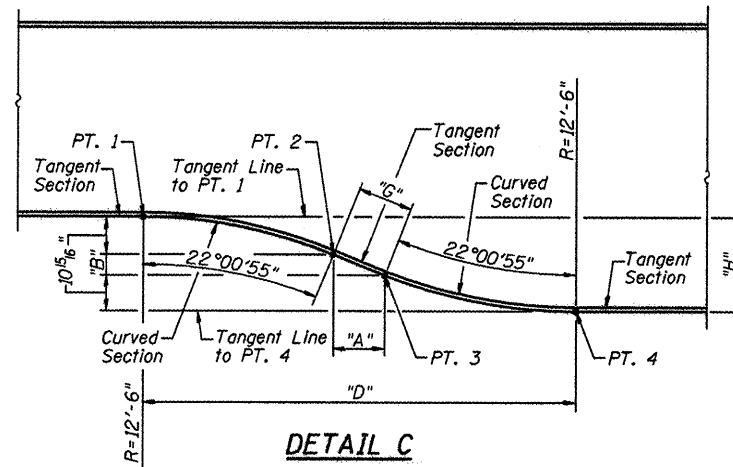
Detail 15/16" diameter holes for all 3/4" diameter bolts.

Two hardened washers required for each set of oversized holes.

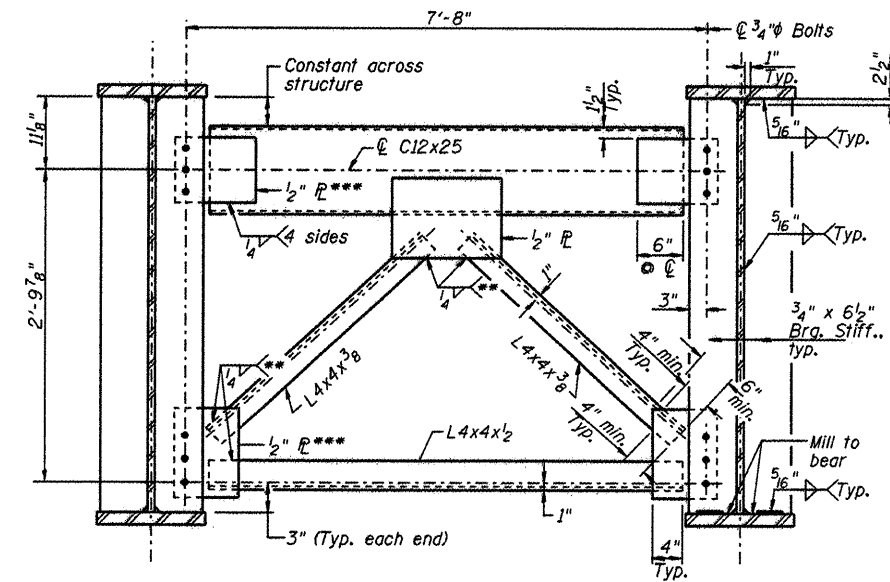


\* See Girder Transition Dimensions Table

**DETAIL B**



**DETAIL C**



**END CROSS FRAME, CF3**  
(8 Required)

\*\* Weld on near side of 1/2" plate  
\*\*\* 1/2" Plate to be bent

Girder	A	B	C	D	E	F	G	H
1	5 3/8"	2 1/8"	6'-0 3/8"	9'-10 3/8"	45'-2 1/4"	36'-10 3/8"	6 1/8"	2'-1 1/8"
2	9 3/8"	4 1/8"	6'-4 3/8"	10'-2 3/8"	44'-10 1/4"	37'-4 3/8"	10 3/8"	2'-2 3/8"
3	1'-1 15/16"	6 15/16"	6'-5 15/16"	10'-6 5/16"	44'-6 5/16"	37'-11 3/8"	15"	2'-4 15/16"
4	1'-4 1/8"	8 3/8"	6'-6 1/8"	10'-9 1/8"	44'-3 3/8"	38'-6 1/8"	18 3/8"	2'-6 1/8"
5	1'-4 15/16"	8 3/4"	6'-6 15/16"	10'-9 15/16"	44'-2 15/16"	39'-4 15/16"	18 3/4"	2'-6 15/16"
6	1'-1 15/16"	7 1/4"	6'-5 1/8"	10'-6 1/8"	44'-5 1/8"	40'-5 1/8"	15 1/8"	2'-5 1/8"
7	10"	5 3/8"	6'-3 1/8"	10'-3"	44'-9 5/8"	41'-8 1/8"	11 1/4"	2'-3 1/8"
8	4 5/8"	2 1/8"	6'-1"	9'-9 5/8"	45'-3 5/8"	43'-0 5/8"	4 5/8"	2'-3 5/8"
9	1 5/8"	2 5/8"	5'-10 15/16"	9'-5 15/16"	45'-6 15/16"	44'-2 15/16"	1"	1'-10 15/16"

L:\DDC\CD\085292\085292.dwg, CADD, Sheets 5, 26A, Framing Plan, Det., Approach 2.dwg



**HNTB**

DESIGNED - PA, JDJ, BPD, CJW	REVISED -
DRAWN - GLD	REVISED -
CHECKED - RJK	REVISED -
DATE - 02/04/2011	REVISED -

**CITY OF ROCKFORD  
MORGAN STREET BRIDGE**

**FRAMING PLAN & DETAILS - II - APPROACH SPANS  
STRUCTURE NO. 101-6108**

F.A.U. RTE.	SECTION	COUNTY	TOTAL SHEETS	SHEET NO.
5077	99-00493-00-BR	WINNEBAGO	253	151
FED. ROAD DIST. NO. 2 [ILLINOIS]			CONTRACT NO. B5529	
FED. AID PROJECT BRN-5099653				

SCALE: SHEET NO.25 OF 79 SHEETS STA. 47+00.74 TO STA. 52+63.50