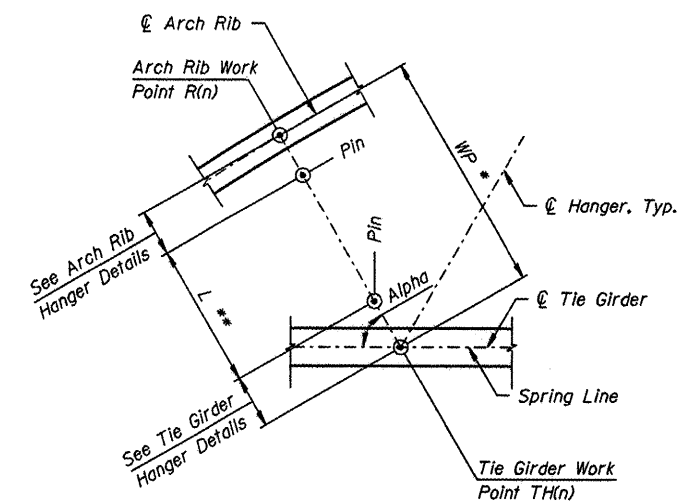


ELEVATION

Hanger H(n)	Tie Girder Work Point		Arch Rib Work Point		Lengths (ft)		Alpha
	TH(n)	X (ft) Y (ft)	R(n)	X (ft) Y (ft)	WP *	L **	
H1	TH1	33.500 0.000	R1	23.602 17.856	20.416	12.201	61.0
H2	TH1	33.500 0.000	R2	48.342 33.961	37.063	26.736	66.394
H3	TH2	67.167 0.000	R2	48.342 33.961	38.830	30.650	61.0
H4	TH2	67.167 0.000	R4	99.816 58.902	67.346	57.429	61.0
H5	TH3	100.833 0.000	R3	74.248 47.960	54.836	46.669	61.0
H6	TH3	100.833 0.000	R7	139.794 70.287	80.362	71.172	61.0
H7	TH4	134.500 0.000	R5	101.505 59.524	68.057	59.859	61.0
H8	TH4	134.500 0.000	R9	175.833 74.566	85.256	76.491	61.0
H9	TH5	168.167 0.000	R6	130.348 68.227	78.007	69.711	61.0
H10	TH5	168.167 0.000	R11	208.909 73.501	84.038	75.557	61.0
H11	TH6	201.833 0.000	R8	161.091 73.501	84.038	75.557	61.0
H12	TH6	201.833 0.000	R13	239.652 68.227	78.007	69.711	61.0
H13	TH7	235.500 0.000	R10	194.167 74.566	85.256	76.491	61.0
H14	TH7	235.500 0.000	R14	268.495 59.524	68.057	59.859	61.0
H15	TH8	269.167 0.000	R12	230.206 70.287	80.362	71.172	61.0
H16	TH8	269.167 0.000	R16	295.752 47.960	54.836	46.669	61.0
H17	TH9	302.833 0.000	R15	270.184 58.902	67.346	57.429	61.0
H18	TH9	302.833 0.000	R17	321.658 33.961	38.830	30.650	61.0
H19	TH10	336.500 0.000	R17	321.658 33.961	37.063	26.736	66.394
H20	TH10	336.500 0.000	R18	346.398 17.856	20.416	12.201	61.0

* WP length is straight line dimension measured from Arch Rib work point to Tie Girder work point and does not include sag.

** Length L shown is straight line dimension measured from $\text{\textcircled{C}}$ Pin to $\text{\textcircled{C}}$ Pin and does not include sag.



HANGER GEOMETRY

Notes:
See sheet 26 of 79 for Tied Arch Geometry.
See sheets 47 thru 50 of 79 for Hanger Details.

L:\DDC\04\001_0825082\04-001_Sheets\15-28_Hanger_Work_Points_Detail.dgn

CMT
CRAWFORD, MURPHY & TILLY, INC.
CONSULTING ENGINEERS
License No. 04-000663

HNTB

DESIGNED - PA, JDJ, BPD, CJW	REVISED -
DRAWN - GLD	REVISED -
CHECKED - RJK	REVISED -
DATE - 02/04/2011	REVISED -

**CITY OF ROCKFORD
MORGAN STREET BRIDGE**

**HANGER GEOMETRY WORK POINT DATA
STRUCTURE 101-6108**

F.A.J. RTE.	SECTION	COUNTY	TOTAL SHEETS	SHEET NO.
5077	99-00493-00-BR	WINNEBAGO	253	153
CONTRACT NO. 85529			FED. ROAD DIST. NO. 2 ILLINOIS FED. AID PROJECT BRN-5099165	

SCALE: SHEET NO. 27 OF 79 SHEETS STA. 47+00.74 TO STA. 52+63.50