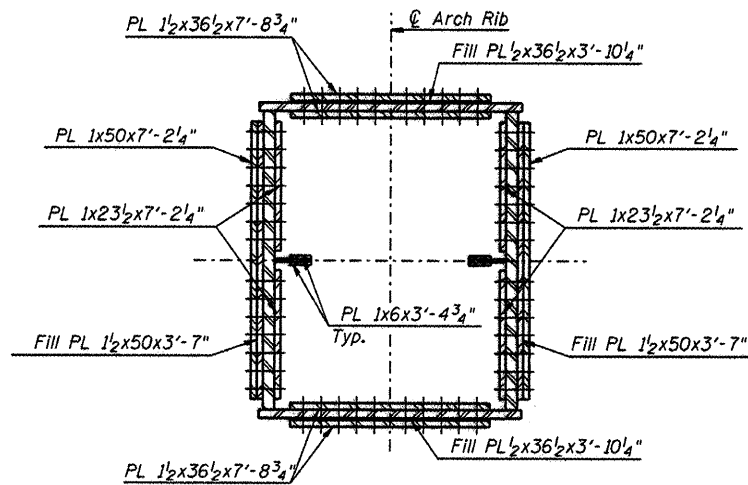
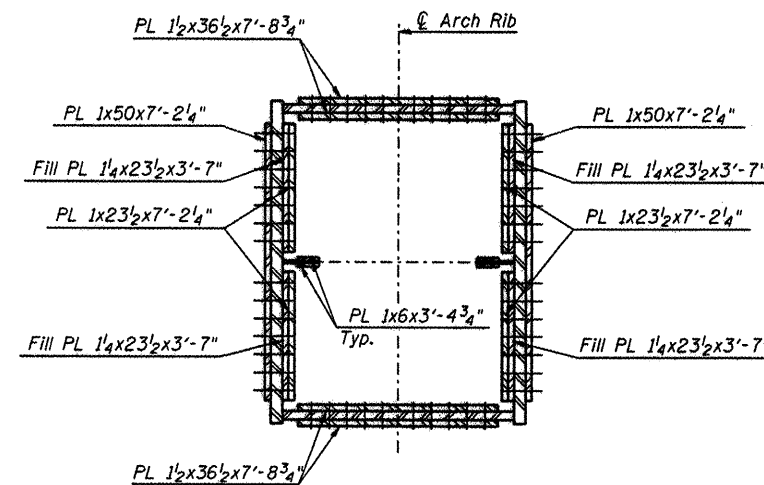


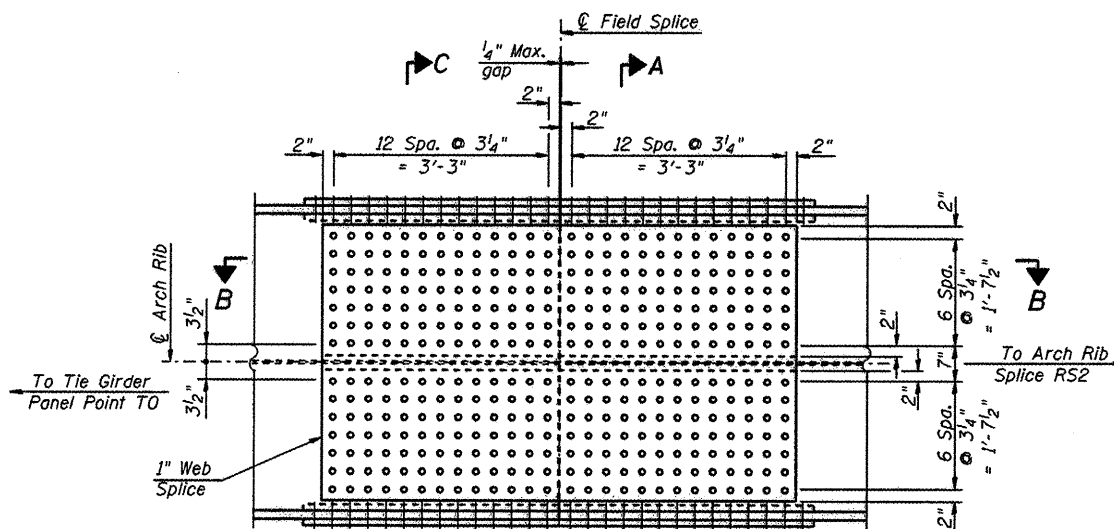
TOP VIEW - RS1 TOP & BOTTOM FLANGE SPLICE
(RS10 Opposite Hand)



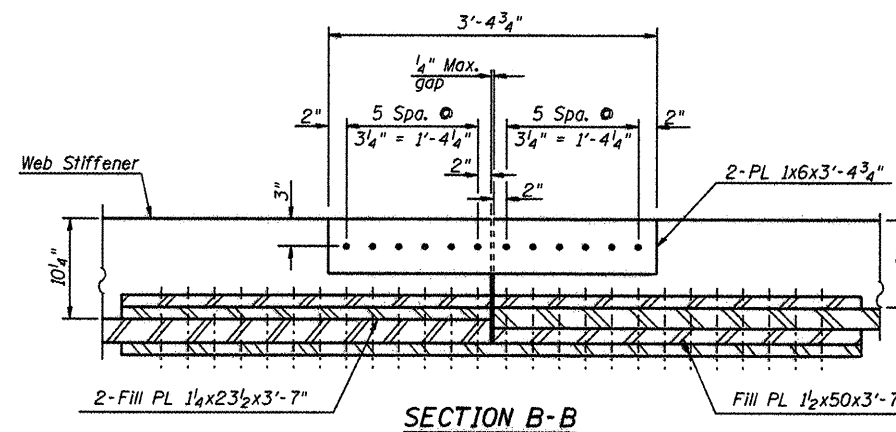
SECTION A-A



SECTION C-C



ARCH RIB SPLICE RS1 - WEB SPLICE
(RS10 Opposite Hand)



SECTION B-B

Notes:

- Bolts shall be 7/8" ϕ high-strength bolts.
- Splice plates and fill plates shall conform to the requirements of M270 Gr. 50W T3.
- For Arch Rib Elevation and Section Details, See sheets 34 thru 36 of 79.

L:\PROJECTS\0826082\Drawings\CDL\Sheets\37_Rib_Splice_Details.dwg

CMT
CRAWFORD, MURPHY & TILLY, INC.
CONSULTING ENGINEERS
License No. 184-000613

HNTB

DESIGNED - PA, JDJ, BPD, CJW	REVISED -
DRAWN - GLD	REVISED -
CHECKED - RJK	REVISED -
DATE - 02/04/2011	REVISED -

**CITY OF ROCKFORD
MORGAN STREET BRIDGE**

**ARCH RIB FIELD SPLICE DETAILS - I
STRUCTURE NO. 101-6108**

SCALE: SHEET NO. 37 OF 79 SHEETS STA. 47+00.74 TO STA. 52+63.50

F.A.U. RTE.	SECTION	COUNTY	TOTAL SHEETS	SHEET NO.
5077	99-00493-00-BR	WINNEBAGO	253	163
CONTRACT NO. 85529			FED. ROAD DIST. NO. 2 (ILLINOIS) FED. AID PROJECT BRN-5099651	