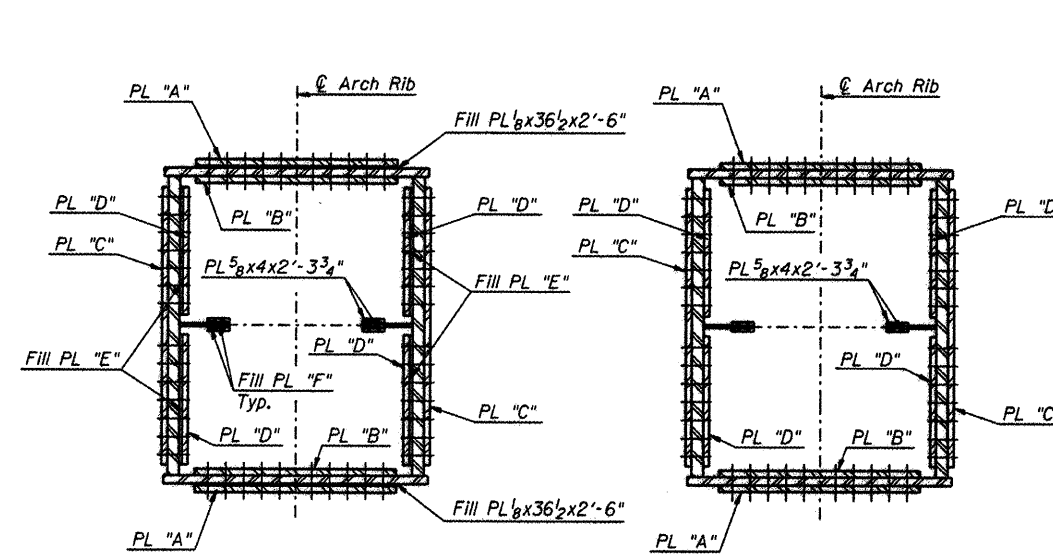
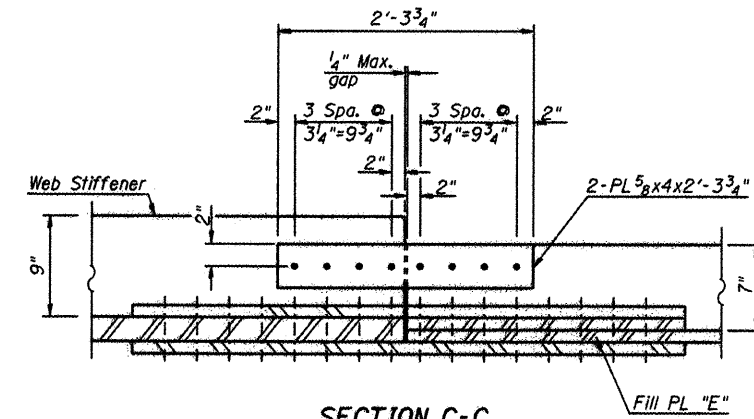


TOP VIEW - RS2 THRU RS5 TOP & BOTTOM FLANGE SPLICE  
(RS6 Thru RS9 Opposite Hand)  
RS2 Shown

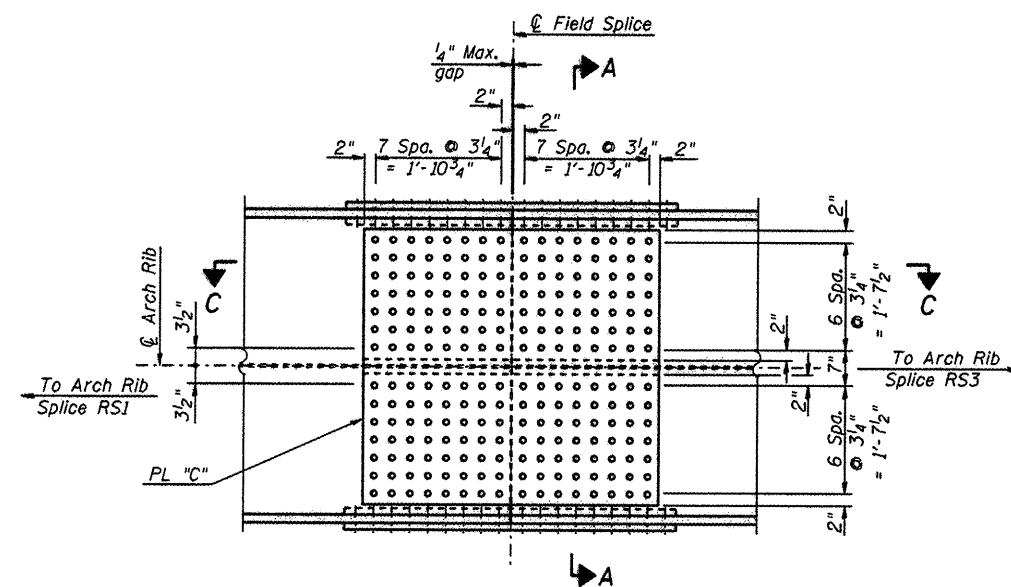


SECTION A-A

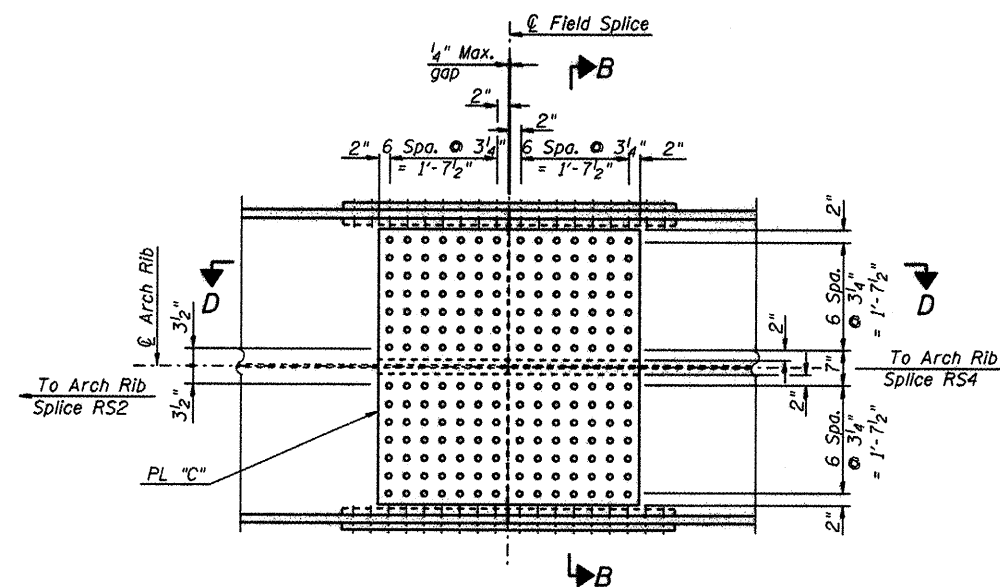
SECTION B-B  
RS3 Shown



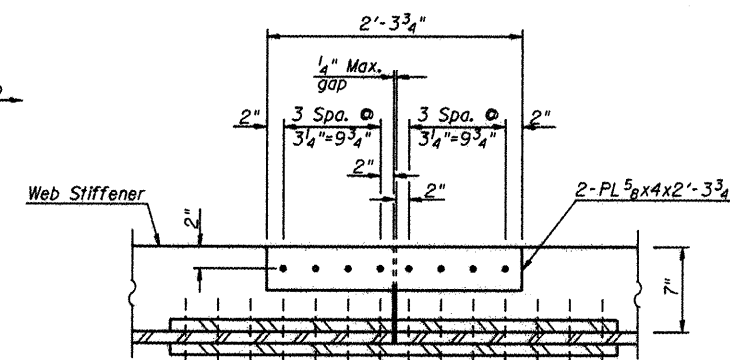
SECTION C-C



ARCH RIB SPLICE RS2 - WEB SPLICE  
(RS9 Opposite Hand)



ARCH RIB SPLICE RS3 THRU RS5 - WEB SPLICE  
(RS6 Thru RS8 Opposite Hand)  
RS3 Shown



SECTION D-D

TABLE OF FIELD SPLICE DATA						
LOCATION	PL "A"	PL "B"	PL "C"	PL "D"	PL "E"	PL "F"
RS2, RS9	1 x 36 1/2" x 5'-0 1/4"	1 x 36 1/2" x 5'-0 1/4"	7/8 x 50 x 4'-5 3/4"	7/8 x 23 1/2" x 4'-5 3/4"	1/2 x 23 1/2" x 2'-2 3/4"	5/16 x 4 x 1'-1 3/4"
RS3, RS8	1 x 36 1/2" x 5'-0 1/4"	1 x 36 1/2" x 5'-0 1/4"	3/4 x 50 x 3'-11 1/4"	3/4 x 23 1/2" x 3'-11 1/4"		
RS4, RS7	1 x 36 1/2" x 5'-0 1/4"	1 x 36 1/2" x 5'-0 1/4"	3/4 x 50 x 3'-11 1/4"	3/4 x 23 1/2" x 3'-11 1/4"		
RS5, RS6	1 x 36 1/2" x 5'-0 1/4"	1 x 36 1/2" x 5'-0 1/4"	3/4 x 50 x 3'-11 1/4"	3/4 x 23 1/2" x 3'-11 1/4"		

Notes:

- Bolts shall be 7/8"  $\phi$  high-strength bolts.
- Splice plates and fill plates shall conform to the requirements of M270 Gr. 50W T3.
- For Arch Rib Elevation and Section Details, See sheets 34 thru 36 of 79.

L:\PROJECTS\0825282\0-ARCH\CAD\Sheet\AS\_38\_Rib\_Splice\_Details\_2.dgn



DESIGNED - PA, JDJ, BPD, CJW	REVISED -
DRAWN - GLD	REVISED -
CHECKED - RJK	REVISED -
DATE - 02/04/2011	REVISED -

CITY OF ROCKFORD  
MORGAN STREET BRIDGE

SCALE:

ARCH RIB FIELD SPLICE DETAILS - II  
STRUCTURE NO. 101-6108

SHEET NO. 38 OF 79 SHEETS STA. 47+00.74 TO STA. 52+63.50

F.A.J. RTE.	SECTION	COUNTY	TOTAL SHEETS	SHEET NO.
5077	99-00493-00-BR	WINNEBAGO	253	164
CONTRACT NO. 85529			FED. ROAD DIST. NO. 2 (ILLINOIS) FED. AID PROJECT BRN-5099165	