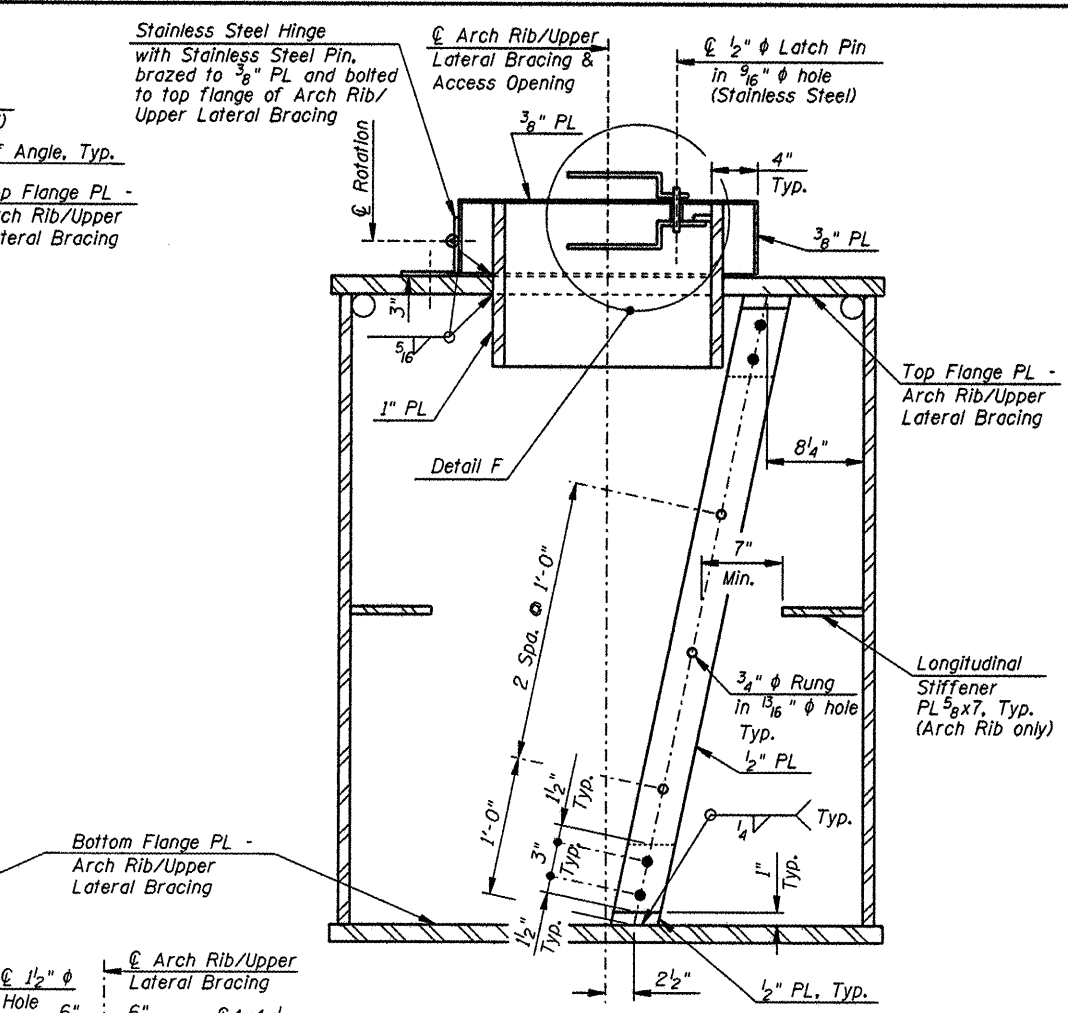
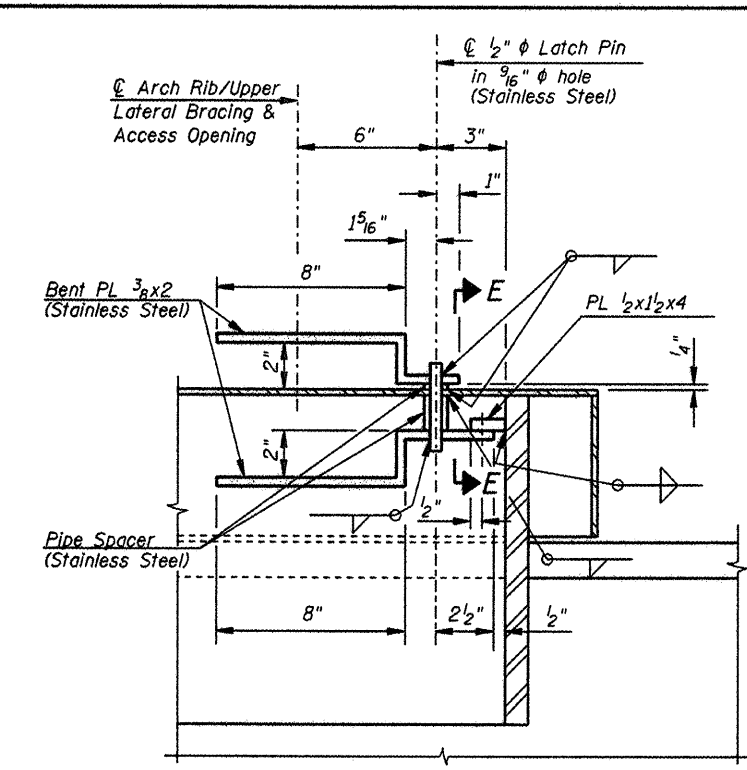


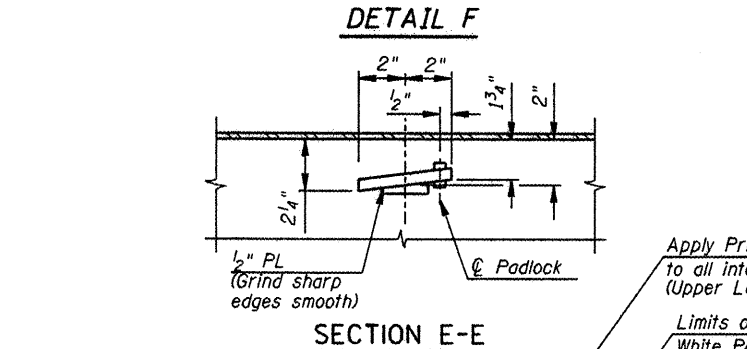
SECTION C-C



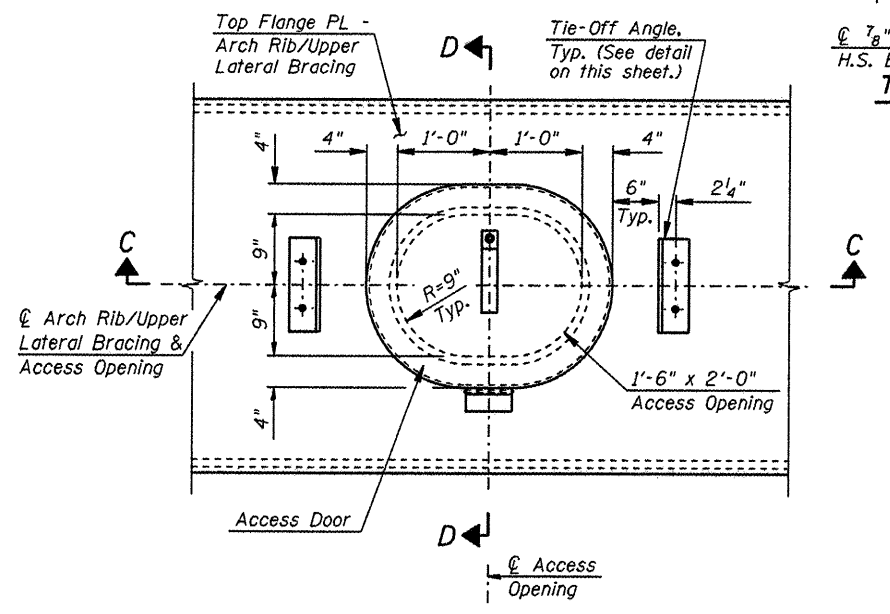
SECTION D-D



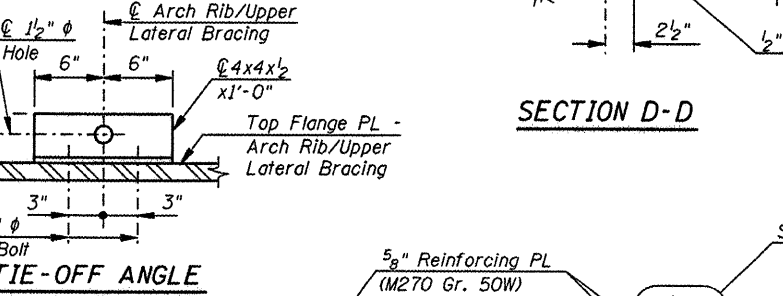
DETAIL F



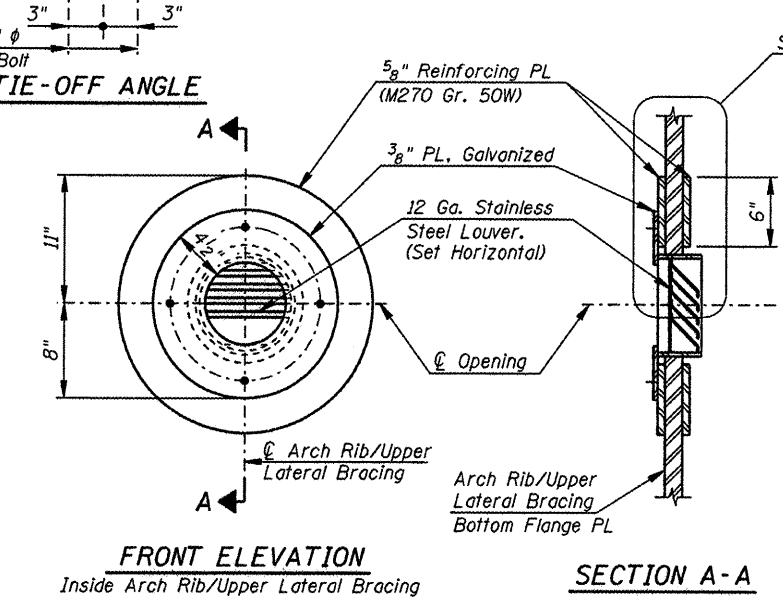
SECTION E-E



PLAN - ACCESS DOOR



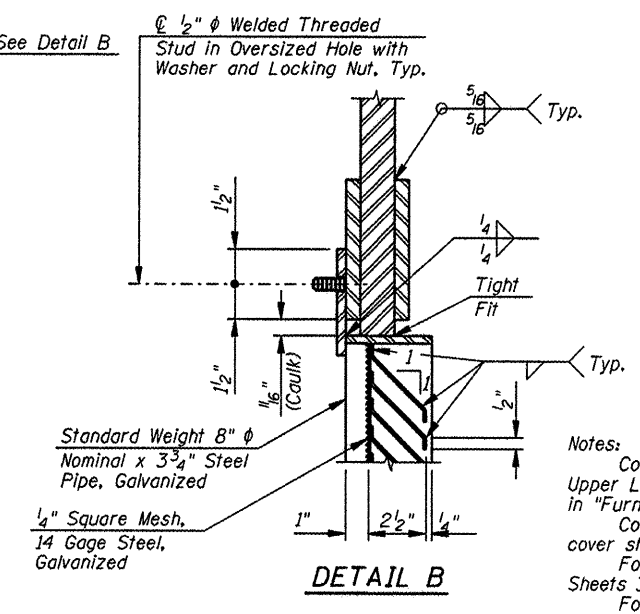
TIE-OFF ANGLE



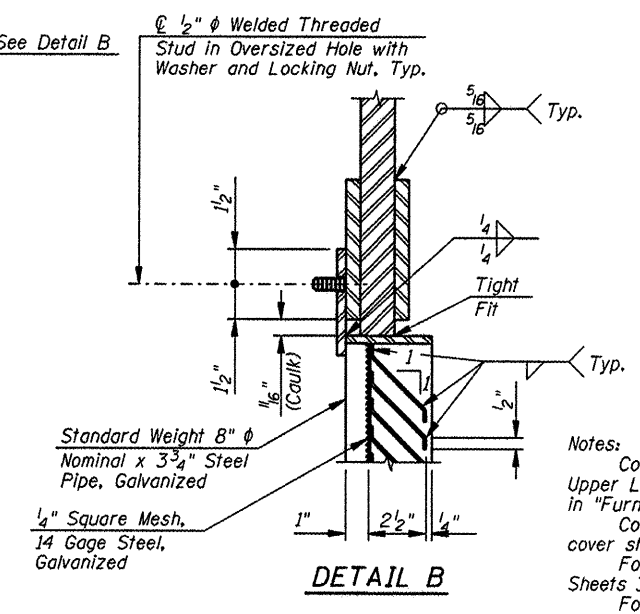
FRONT ELEVATION

ARCH RIB/UPPER LATERAL BRACING VENTILATION OPENING DETAILS

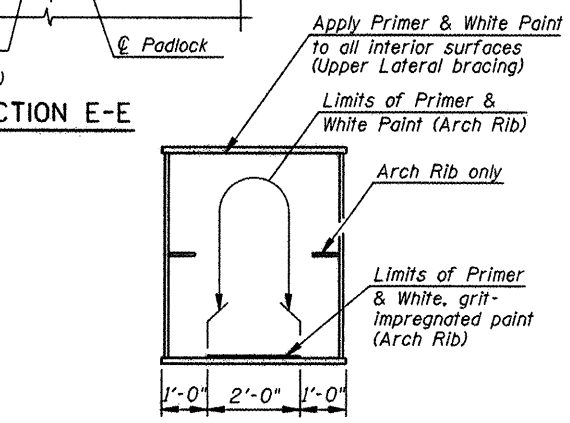
20 Required - Arch Rib
10 Required - Upper Lateral Bracing



SECTION A-A



DETAIL B



LIMITS OF SURFACE TREATMENT (INTERIOR OF ARCH RIB/UPPER LATERAL BRACING)

Notes:
Cost for fabrication and installation of the Arch Rib/Upper Lateral Bracing Ventilation Openings shall be included in "Furnishing and Erecting Structural Steel".
Cost for fabrication and installation of Ladder and Hatch cover shall be included in "Furnishing and Erecting Structural Steel".
For location of Arch Rib Ventilation Opening, see Sheets 34 thru 36 of 79.
For location of Arch Rib Access Door, see Sheet 40 of 79.
For location of Upper Lateral Bracing Ventilation Opening and Access Door, see Sheet 36 of 79.
All Structural Steel detailed on this sheet shall conform to the requirements of M270 Gr. 50W, unless noted otherwise.

L:\ROCKFORD\0826882-D-en\CADD\Sheets\5-39_Rib_Misc_Detail.dgn

CMT
CRAWFORD, MURPHY & TILLY, INC.
CONSULTING ENGINEERS
License No. 04-00063

HNTB

DESIGNED - PA, JDJ, BPD, CJW	REVISED -
DRAWN - GLD	REVISED -
CHECKED - RJK	REVISED -
DATE - 02/04/2011	REVISED -

CITY OF ROCKFORD
MORGAN STREET BRIDGE

ARCH RIB / UPPER LATERAL BRACING MISCELLANEOUS DETAILS
STRUCTURE NO. 101-6108

SCALE: SHEET NO. 39 OF 79 SHEETS STA. 47+00.74 TO STA. 52+63.50

F.A.U. RTE.	SECTION	COUNTY	TOTAL SHEETS	SHEET NO.
5077	99-00493-00-BR	WINNEBAGO	253	165
FED. ROAD DIST. NO. 2 ILLINOIS			CONTRACT NO. 85529	
FED. AID PROJECT BRM-505965I				