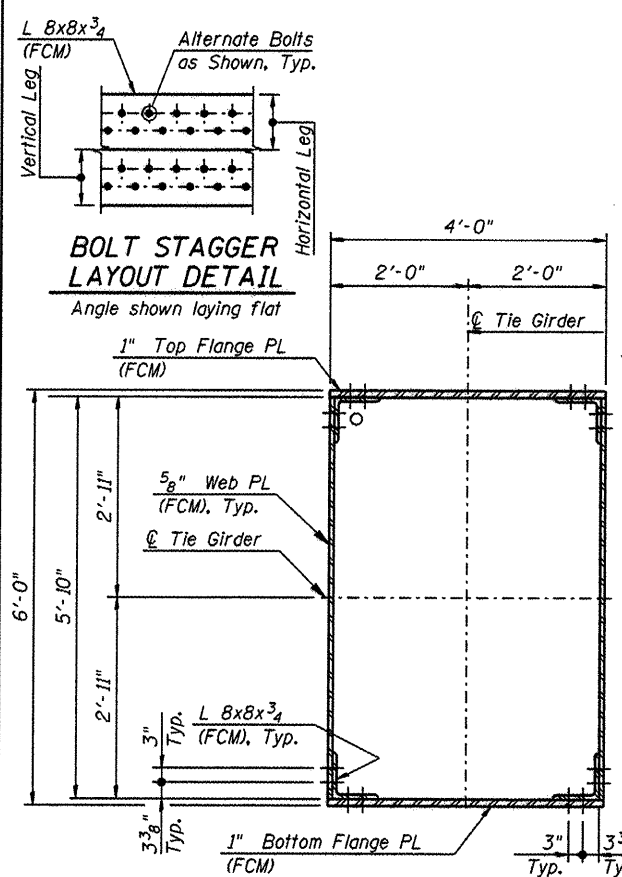
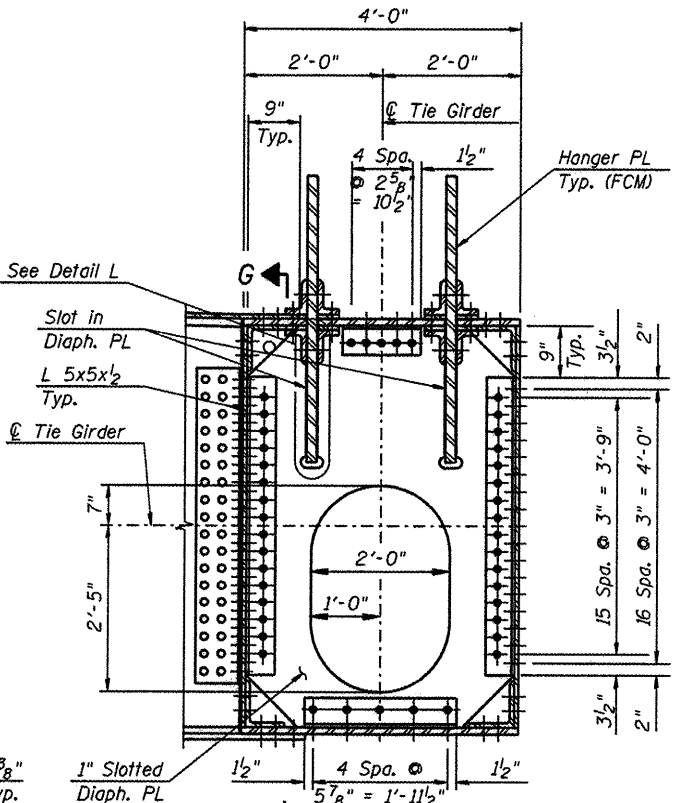


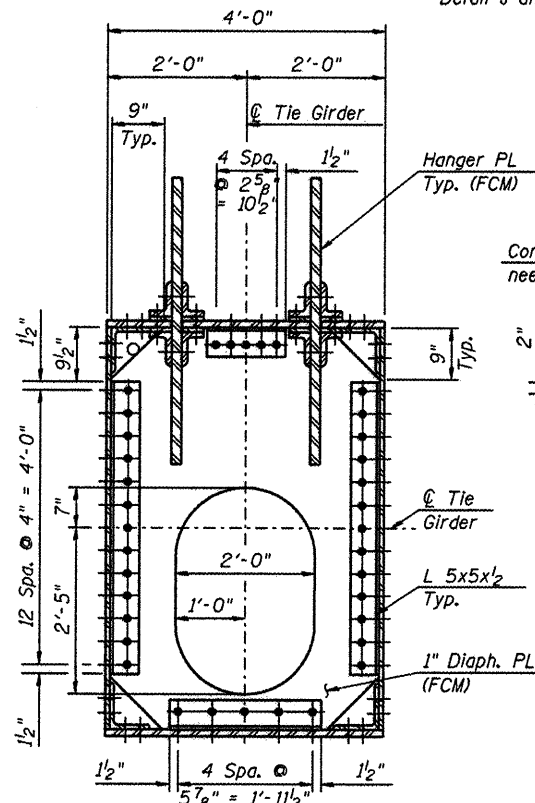
ELEVATION
 South Tie Girder looking North
 Tie Girder TS2 to TS3 shown
 Tie Girder TS5 to TS4 similar
 Flange Bolts not shown for Clarity
 Lower Lateral Bracing not shown for Clarity



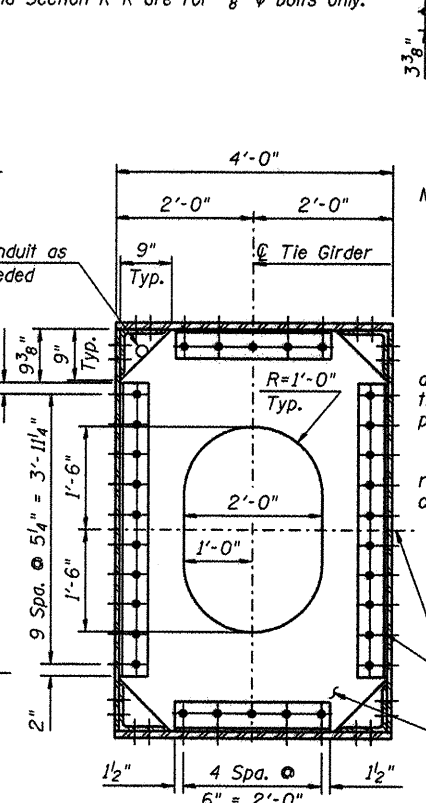
BOLT STAGGER LAYOUT DETAIL
 Angle shown laying flat



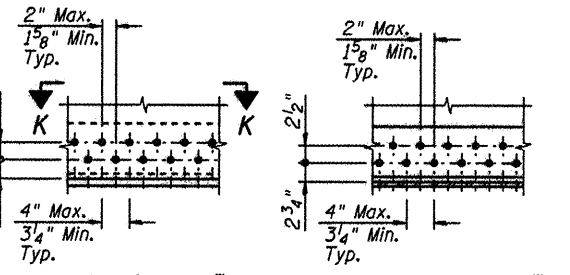
SECTION A-A



SECTION B-B
 Diaphragm - (Type 1)



SECTION C-C
 Diaphragm - (Type 2)



DETAIL J * **SECTION K-K** *

Notes:

- Denotes 7/8" φ high-strength bolt.
- Denotes 1" φ high-strength bolt.
- For Section E-E, F-F, G-G & H-H, see Sheet 46 of 79.
- For Lower Lateral Bracing Details, see Sheet 62 of 79.
- For Tie Girder Hanger Details, see Sheets 49 and 50 of 79.
- For Floorbeam Connection Details, see Sheets 55 and 57 of 79.
- For Tie Girder Splice Details, see Sheets 44 and 45 of 79.
- Fracture critical members (FCM) are delineated in the details on this sheet. Members called out as FCM shall conform to the requirements of M270 Gr. 50W F3 (FCM). These members and plates shall be clearly labeled on shop drawings.
- For Tie Girder Painting Details, see Sheet 46 of 79.
- Type 1 and 2 diaphragm connection angles shall conform to the requirements of M270 Gr. 50W T3. Type 3 diaphragm plates and connection angles shall conform to the requirements of M270 Gr. 50W.
- For Detail L, see Sheet 41 of 79.
- For Inspection Access Lighting, see Lighting Plans.
- For Tie Girder Ventilation Opening Details, see Sheet 44 of 79.
- U.N.O. denotes unless noted otherwise.

L:\PROJECTS\08250823-D-00-CADD-Sheets\5.42-Tie Girder-2.dgn



HNTB

DESIGNED - PA, JDJ, BPD, CJW	REVISED -
DRAWN - GLD	REVISED -
CHECKED - RJK	REVISED -
DATE - 02/04/2011	REVISED -

CITY OF ROCKFORD
MORGAN STREET BRIDGE

TIE GIRDER TS2 TO TS3 AND TS5 TO TS4
STRUCTURE NO. 101-6108

SCALE: SHEET NO. 42 OF 79 SHEETS STA. 47+00.74 TO STA. 52+63.50

F.A.U. RTE.	SECTION	COUNTY	TOTAL SHEETS	SHEET NO.
5077	99-00493-00-BR	WINNEBAGO	253	168
CONTRACT NO. B5529			FED. ROAD DIST. NO. 2 [ILLINOIS] FED. AID PROJECT BRN-509965	