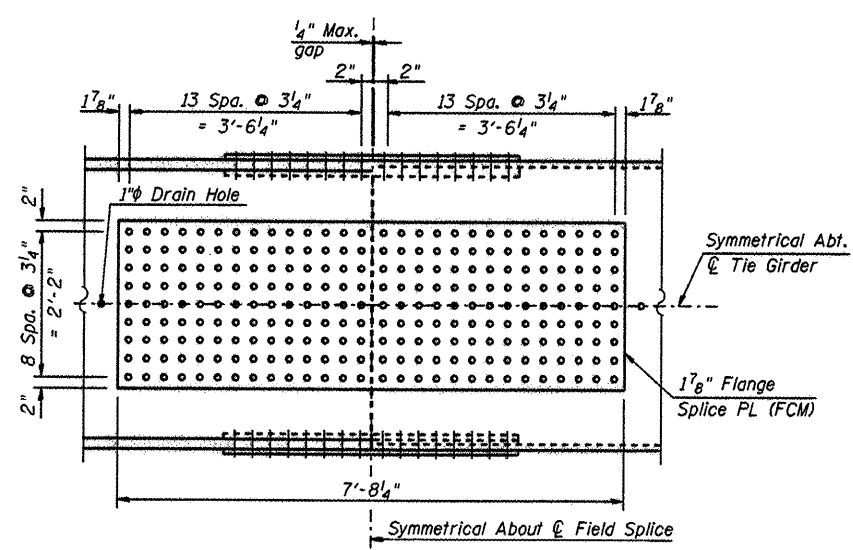
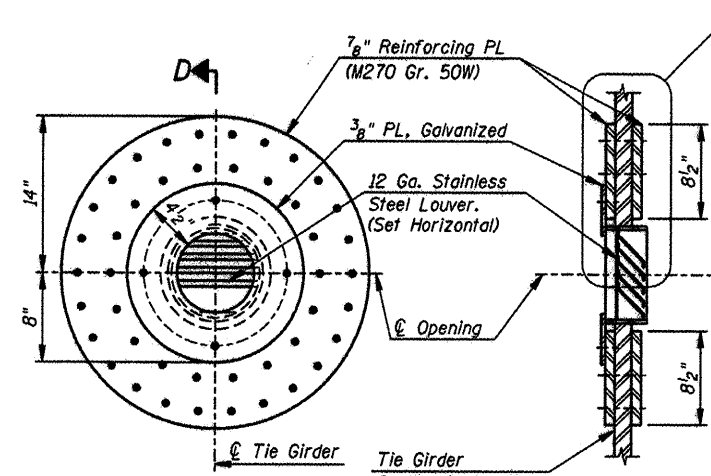


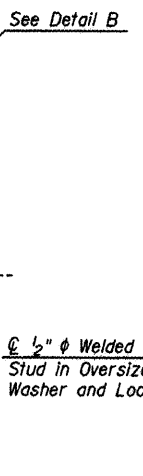
SECTION A-A



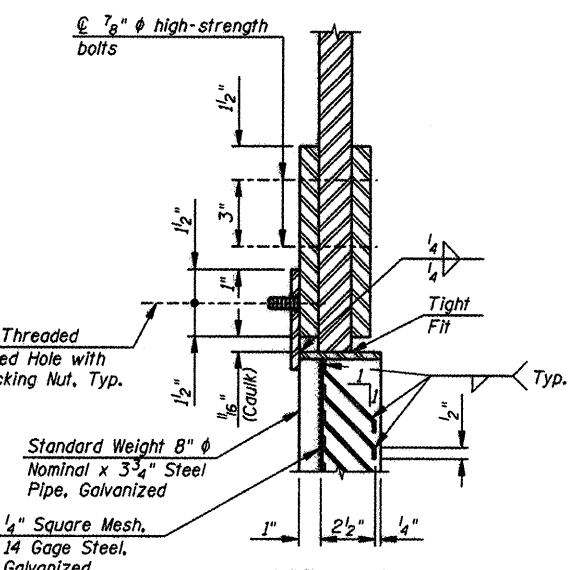
TOP & BOTTOM FLANGE SPLICE TS1
(TS6 Opposite Hand)



FRONT ELEVATION
Inside Tie Girder



SECTION D-D

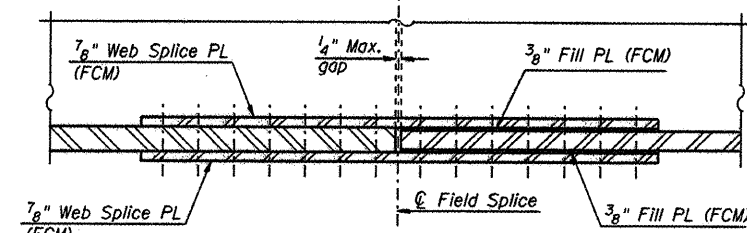


DETAIL B

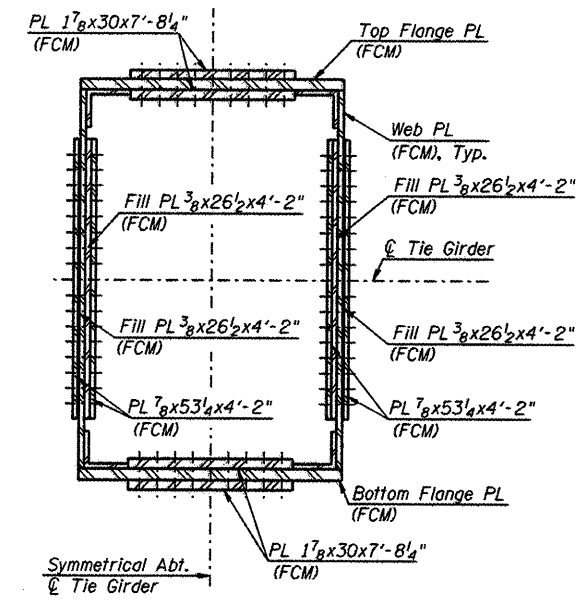
TIE GIRDER VENTILATION OPENING DETAILS

Notes:
 Cost for fabrication and installation of the Tie Girder Ventilation Openings shall be included in "Furnishing and Erecting Structural Steel".
 For location of Tie Girder Ventilation Openings, see Sheets 41 thru 43 of 79.

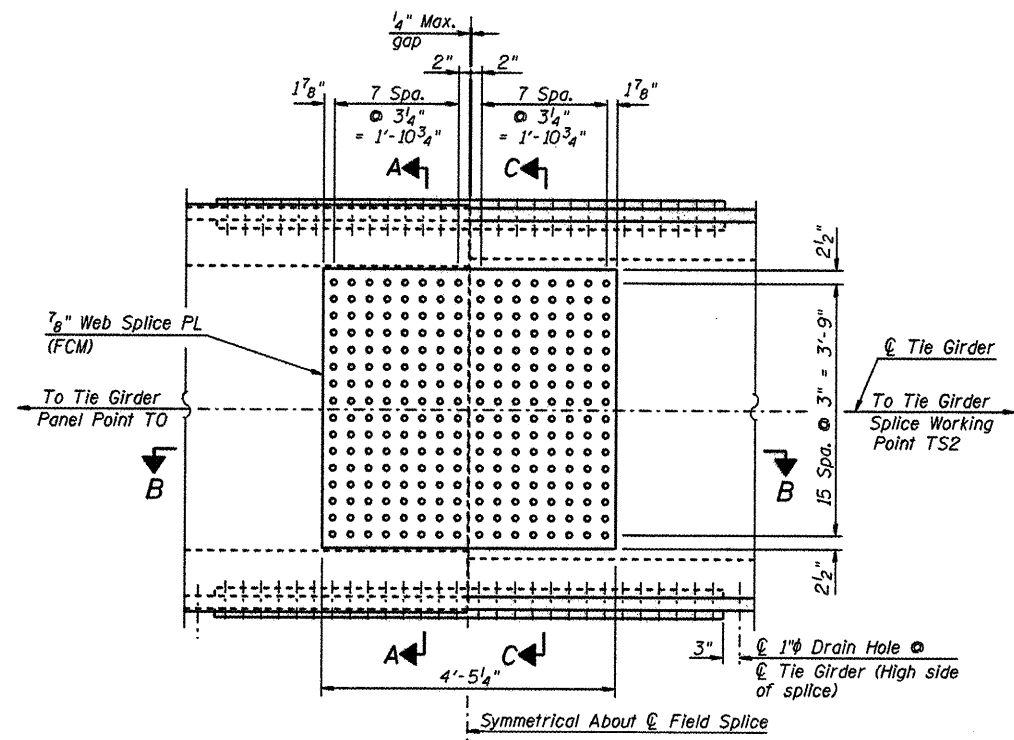
Notes:
 Fracture Critical Members (FCM) are delineated in the details on this sheet. Members called out as FCM shall be M270 Gr. 50W F3(FCM). These members and plates shall be clearly labeled on shop drawings.
 Bolts shall be 7/8" φ high-strength bolts.
 For Tie Girder Splices TS2 thru TS5, see Sheet 44 of 79.
 For Tie Girder Details, see Sheets 41 thru 43 and 46 of 79.



SECTION B-B



SECTION C-C



TIE GIRDER SPLICE TS1 - WEB SPLICE
(TS6 Opposite Hand)

L:\PROJECTS\2010\02\04\01\01\01\CADD\Sheets\5.4_Tie Girder Splice Details.Ldgn



HNTB

DESIGNED - PA, JDJ, BPD, CJW	REVISED -
DRAWN - GLD	REVISED -
CHECKED - RJK	REVISED -
DATE - 02/04/2011	REVISED -

**CITY OF ROCKFORD
MORGAN STREET BRIDGE**

**TIE GIRDER SPLICE DETAILS - I
STRUCTURE NO. 101-6108**

SCALE: SHEET NO. 44 OF 79 SHEETS STA. 47+00.74 TO STA. 52+63.50

F.A.U. / RTEL	SECTION	COUNTY	TOTAL SHEETS	SHEET NO.
5077	99-00493-00-BR	WINNEBAGO	253	170
CONTRACT NO. 85529			FED. ROAD DIST. NO. 2 ILLINOIS FED. AID PROJECT BRN-5099165	