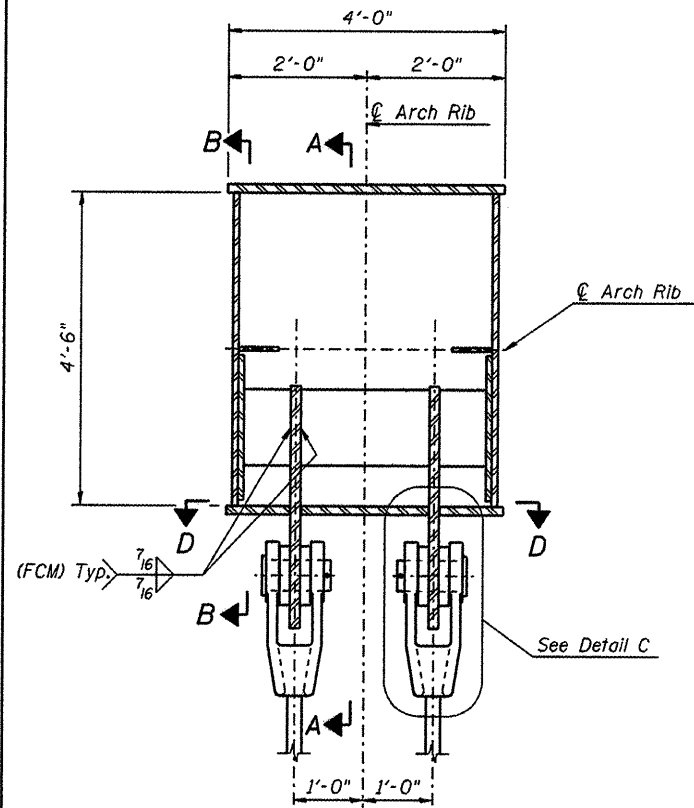
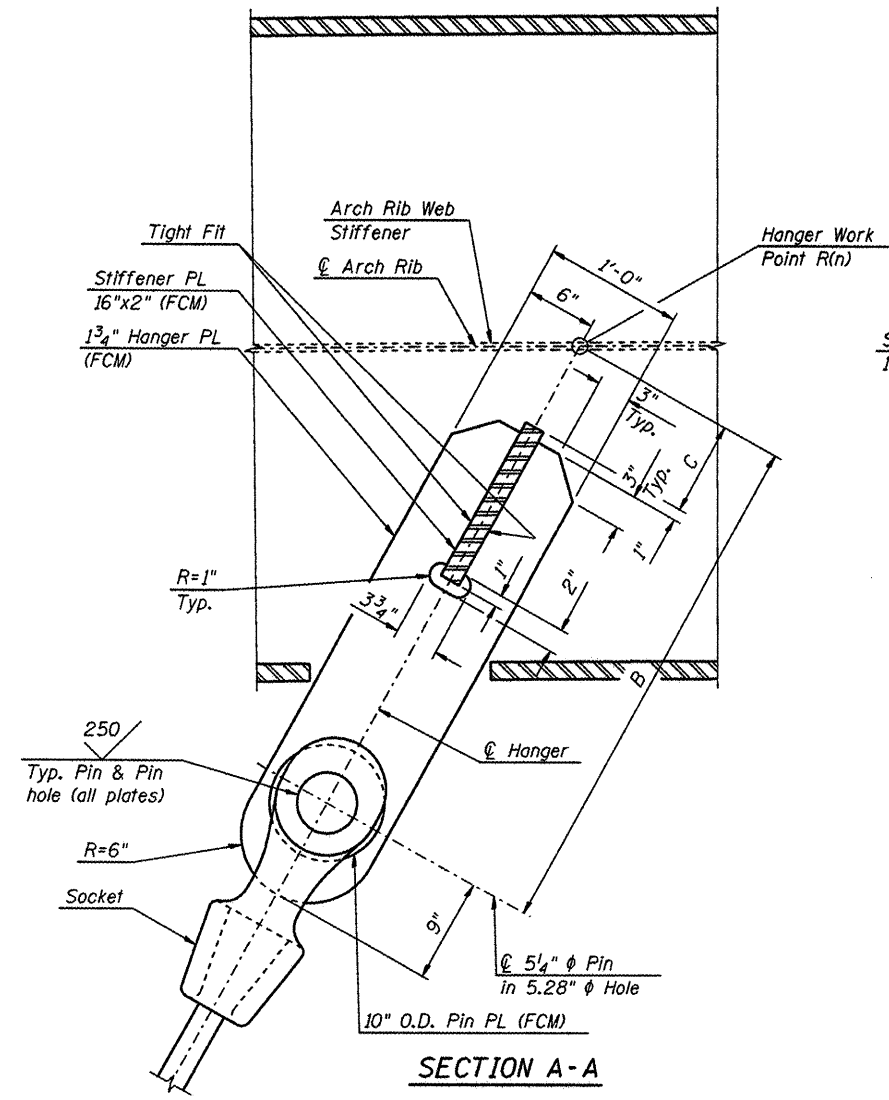


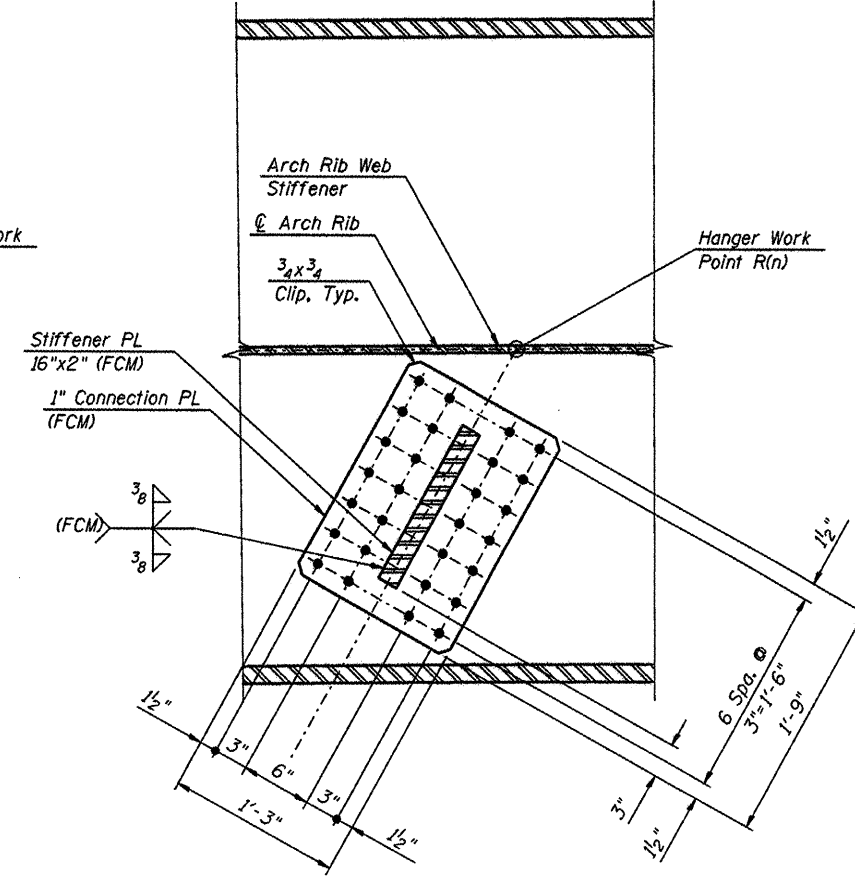
| TABLE OF DIMENSIONS | | |
|------------------------|-------------|-----------|
| HANGER WORK POINT R(n) | B | C |
| R1 | 3'-3 3/8" | 5 9/16" |
| R3 | 3'-2 9/16" | 5 1/2" |
| R4 | 4'-11 9/16" | 1'-0 3/4" |
| R5 | 3'-2 15/16" | 5 5/8" |
| R6 | 3'-4 1/8" | 6" |
| R7 | 4'-2 13/16" | 9 1/16" |
| R8 | 3'-6 5/16" | 6 1/16" |
| R9 | 3'-9 3/4" | 7 13/16" |
| R10 | 3'-9 3/4" | 7 13/16" |
| R11 | 3'-6 5/16" | 6 1/16" |
| R12 | 4'-2 13/16" | 9 1/16" |
| R13 | 3'-4 1/8" | 6" |
| R14 | 3'-2 5/16" | 5 5/8" |
| R15 | 4'-11 9/16" | 1'-0 3/4" |
| R16 | 3'-2 9/16" | 5 1/2" |
| R18 | 3'-3 3/8" | 5 9/16" |



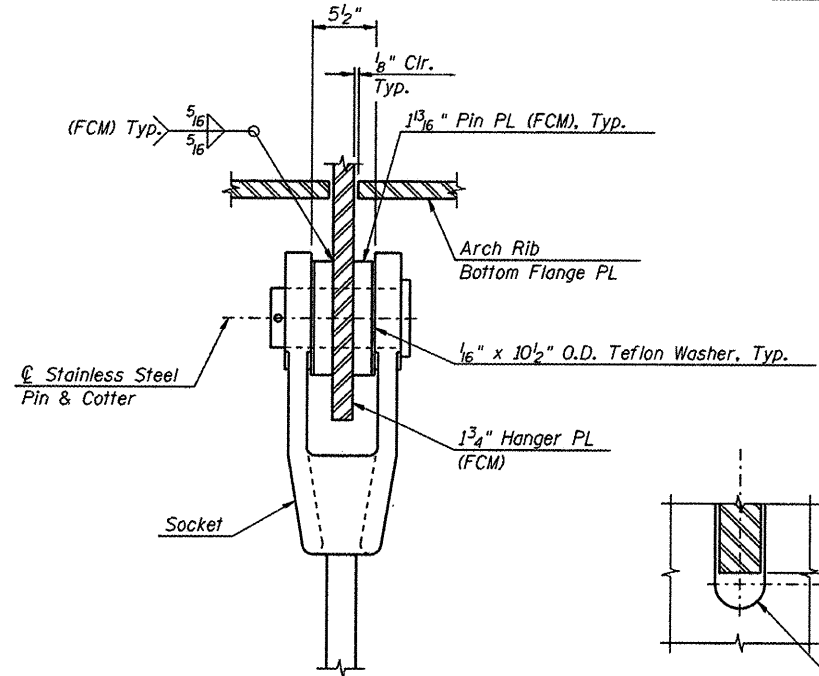
HANGER CONNECTION DETAIL
 Typical at locations R1, R3 thru R16 and R18
 Shown @ Hanger Work Point R7
 other locations similar



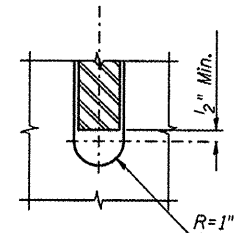
SECTION A-A



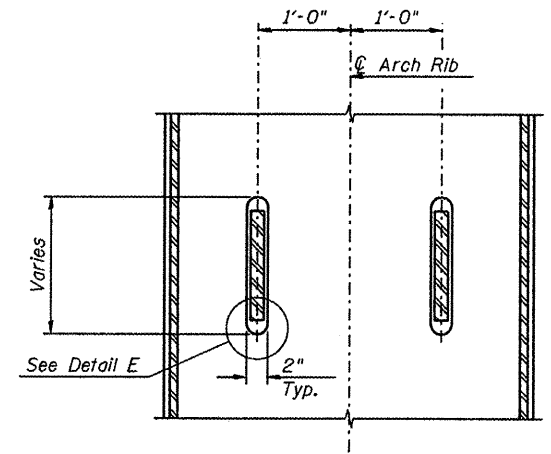
SECTION B-B



DETAIL C



DETAIL E



SECTION D-D

Notes:
 Fracture Critical Members (FCM) are delineated in the details on this sheet. Members called out as FCM shall conform to the requirements of M270 Gr. 50W F3 (FCM). These members shall be clearly labeled on shop drawings.
 Magnetic particle inspection by the yoke method is required on welds to Fracture Critical Members.
 Cotter and pins shall conform to the requirements of ASTM A276, A304N stainless steel with Fy = 35 ksi.
 Dimensions for socket connection to hanger plate are based on the Open Strand Socket, 2400 Series as manufactured by Clodfelter Bridge and Structures International, Inc. Details from other manufacturers - Muncy Machine and Tool Company, Muncy PA or The Crosby Group LLC, Tulsa, OK may differ.
 Socket shop drawings and calculations, sealed by a registered structural engineer in the State of Illinois, must be sent to the Engineer for approval.
 For Arch Rib Details, see Sheets 34 thru 39 of 79.
 All bolts shall be 7/8" high-strength bolts.
 For additional Arch Rib Hanger Details, see Sheet 48 of 79.
 For Hanger Details at hanger work points R2 and R17, see Sheet 48 of 79.

L:\PROJECTS\0826882\Draw\CADD_Sheets\AS_47_Rib_Hanger_Details_1.dgn



HNTB

| | |
|------------------------------|-----------|
| DESIGNED - PA, JDJ, BPD, CJW | REVISED - |
| DRAWN - GLD | REVISED - |
| CHECKED - RJK | REVISED - |
| DATE - 02/04/2011 | REVISED - |

**CITY OF ROCKFORD
 MORGAN STREET BRIDGE**

**ARCH RIB HANGER DETAILS - I
 STRUCTURE NO. 101-6108**

SCALE: SHEET NO. 47 OF 79 SHEETS STA. 47+00.74 TO STA. 52+63.50

| F.A.U. R.T.E. | SECTION | COUNTY | TOTAL SHEETS | SHEET NO. |
|--------------------|----------------|-----------|--|-----------|
| 5077 | 99-00493-00-BR | WINNEBAGO | 253 | 173 |
| CONTRACT NO. 85529 | | | FED. ROAD DIST. NO. 2 (ILLINOIS) FED. AID PROJECT BRM-5099(65) | |