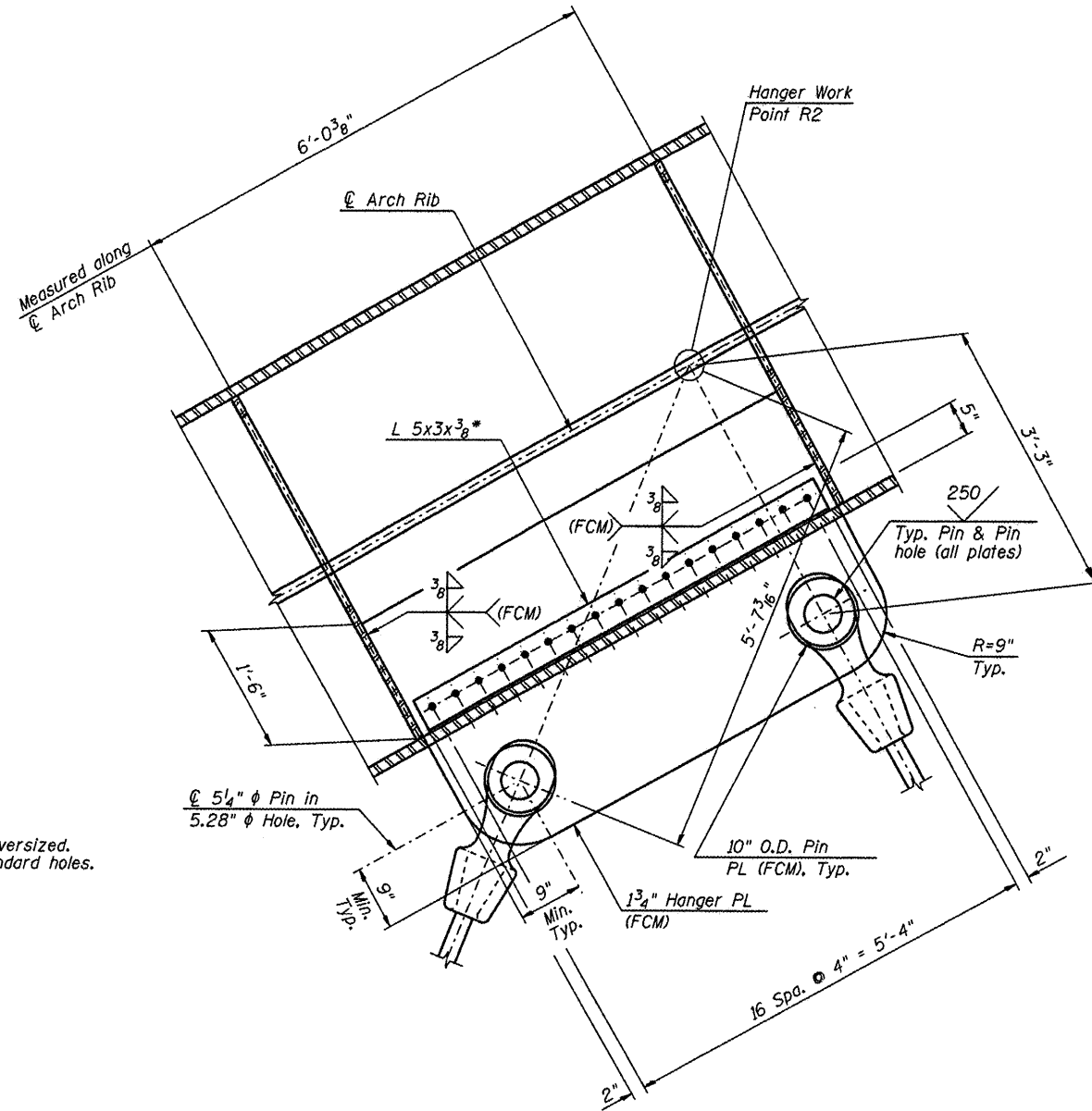
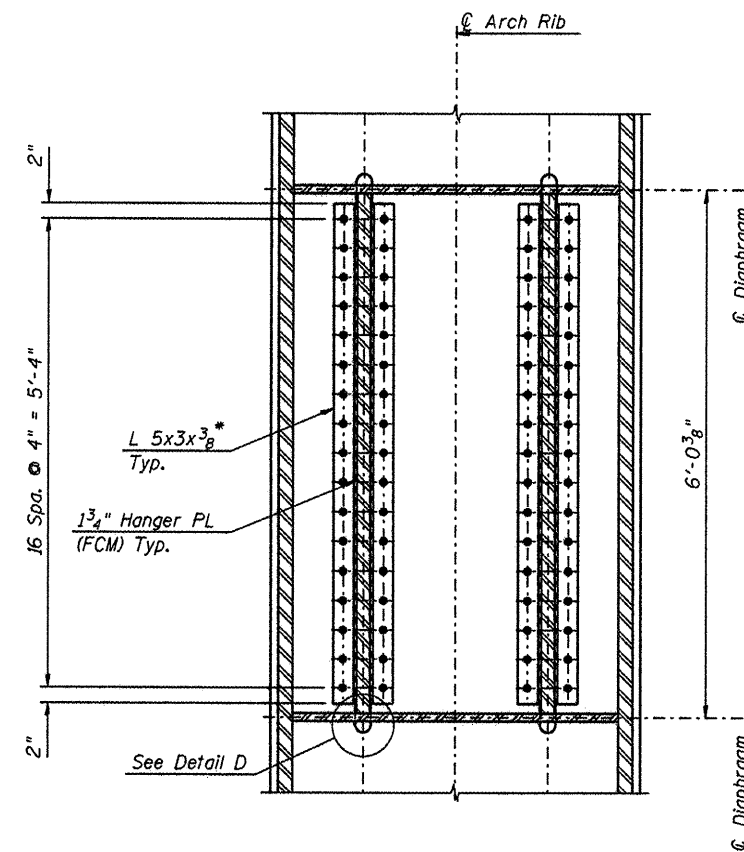


**HANGER CONNECTION DETAIL**  
Typical at locations R2 and R17

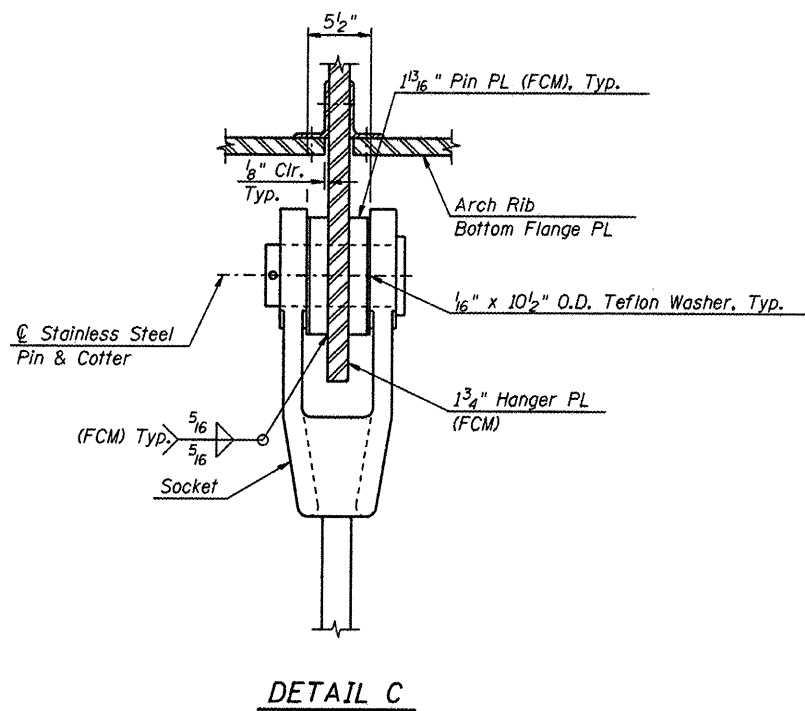
\* Holes in the 5" leg shall be oversized.  
Holes in the 3" leg shall be standard holes.



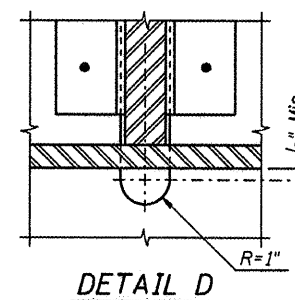
**SECTION A-A**  
Shown @ Hanger Work Point R2  
Hanger Work Point R17 opposite hand



**SECTION B-B**



**DETAIL C**



**DETAIL D**

**Notes:**

Fracture Critical Members (FCM) are delineated in the details on this sheet. Members called out as FCM shall conform to the requirements of M270 Gr. 50W F3 (FCM). These members shall be clearly labeled on shop drawings.

Magnetic particle inspection by the yoke method is required on welds to Fracture Critical Members.

Cotter and pins shall conform to the requirements of ASTM A276, A304N stainless steel with  $F_y = 35$  ksi.

Dimensions for socket connection to hanger plate are based on the Open Strand Socket, 2400 Series as manufactured by Clodfelter Bridge and Structures International, Inc. Details from other manufacturers - Muncy Machine and Tool Company, Muncy PA or The Crosby Group LLC, Tulsa, OK may differ. Socket shop drawings and calculations, sealed by a registered structural engineer in the State of Illinois, must be sent to the Engineer for approval.

All bolts shall be 7/8"  $\phi$  high-strength bolts.

For Arch Rib Details, see Sheets 34 thru 39 of 79.

For Hanger Details at hanger work points R1, R3 thru R16 and, R18, see Sheet 47 of 79.

L:\ROCKFORD\082682\0-arch\CAD\Sheets\5\_48\_Rib\_Hanger\_Details\_2.dgn



**HNTB**

DESIGNED - PA, JDJ, BPD, CJW	REVISED -
DRAWN - GLD	REVISED -
CHECKED - RJK	REVISED -
DATE - 02/04/2011	REVISED -

**CITY OF ROCKFORD  
MORGAN STREET BRIDGE**

**ARCH RIB HANGER DETAILS - II  
STRUCTURE NO. 101-6108**

SCALE: SHEET NO. 48 OF 79 SHEETS STA. 47+00.74 TO STA. 52+63.50

F.A.L. RTE.	SECTION	COUNTY	TOTAL SHEETS	SHEET NO.
5077	99-00493-00-BR	WINNEBAGO	253	174
FED. ROAD DIST. NO. 2 ILLINOIS			CONTRACT NO. 85529	
FED. AID PROJECT BRW-5099651				