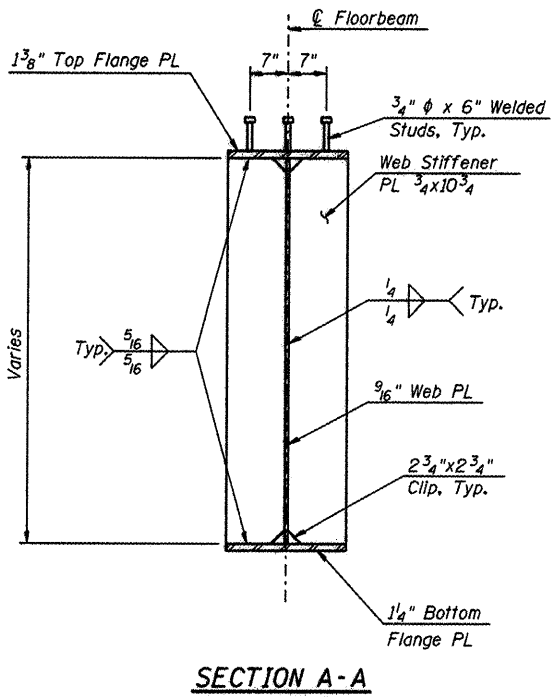


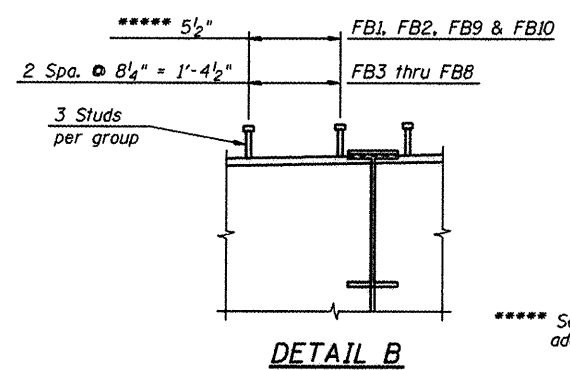
ELEVATION

For Connection to Tie Girder Details, see Sheets 57, 58 of 79

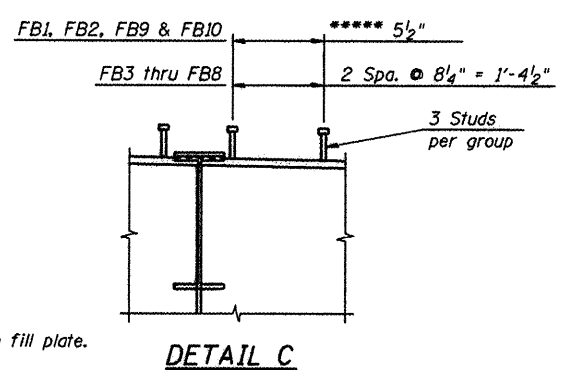
- * 5'-9 3/8" at FB3 thru FB8
- 5'-10 3/8" at FB1, FB2, FB9 and FB10
- ** 2'-10 3/4" at FB3 thru FB8
- 2'-11 3/4" at FB1, FB2, FB9 and FB10
- *** 0.024'/ft at FB3 thru FB8
- 0.022'/ft at FB1, FB2, FB9 and FB10
- **** 0.020'/ft at FB3 thru FB8
- 0.018'/ft at FB1, FB2, FB9 and FB10



SECTION A-A



DETAIL B



DETAIL C

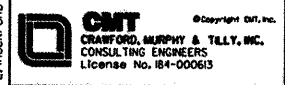
***** See Sheet 58 for additional studs on fill plate.

Notes:
 For Framing Plan, see Sheet 53 of 79.
 For Stringer Details, see Sheets 60 and 61 of 79.
 For Floorbeam Camber and Deflections, see Sheet 59 of 79.
 Floorbeam flange and web plates, splice plates and connection angles shall conform to the requirements of M270 Grade 50W T3.
 For Lower Lateral Bracing Details, see Sheet 62 of 79.

BILL OF MATERIAL

Item	Unit	Total
Stud Shear Connectors	Each	3,772

L:\PROJECTS\085529\085529.dwg - CADD_Sheets\56_Int_Floorbeam.dgn



HNTB

DESIGNED - PA, JDJ, BPD, CJW	REVISED -
DRAWN - GLD	REVISED -
CHECKED - RJK	REVISED -
DATE - 02/04/2011	REVISED -

**CITY OF ROCKFORD
MORGAN STREET BRIDGE**

**INTERMEDIATE FLOORBEAM ELEVATION AND SECTION
STRUCTURE NO. 101-6108**

SCALE: SHEET NO. 56 OF 79 SHEETS STA. 47+00.74 TO STA. 52+63.50

F.A.U. RTE. NO.	SECTION	COUNTY	TOTAL SHEETS	SHEET NO.
5077	99-00493-00-BR	WINNEBAGO	253	182
FED. ROAD DIST. NO. 2 ILLINOIS			CONTRACT NO. 85529	
FED. AID PROJECT BRU-509965				