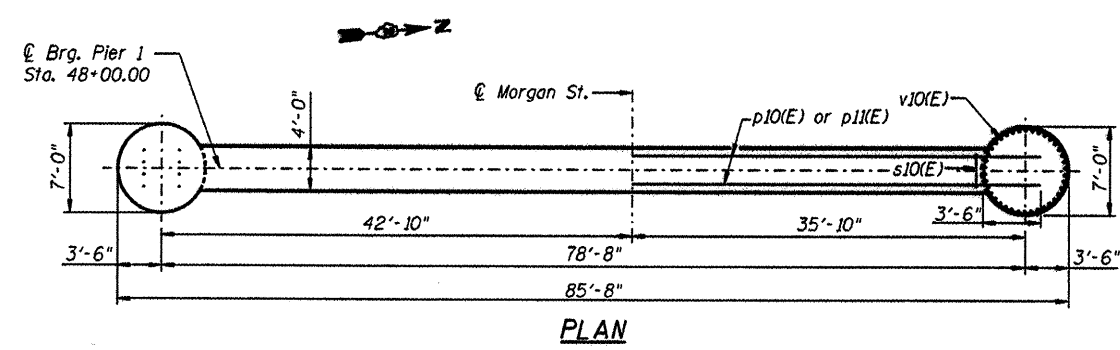
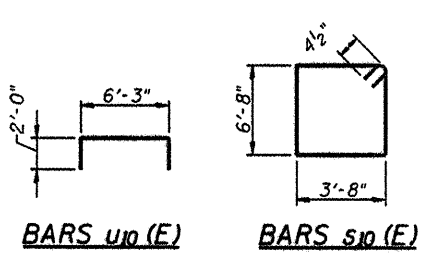


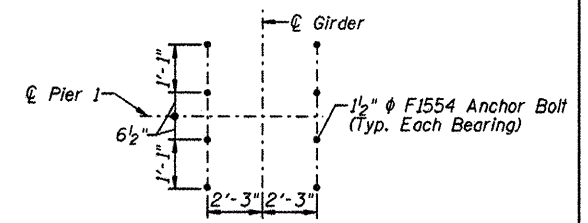
DETAIL 1



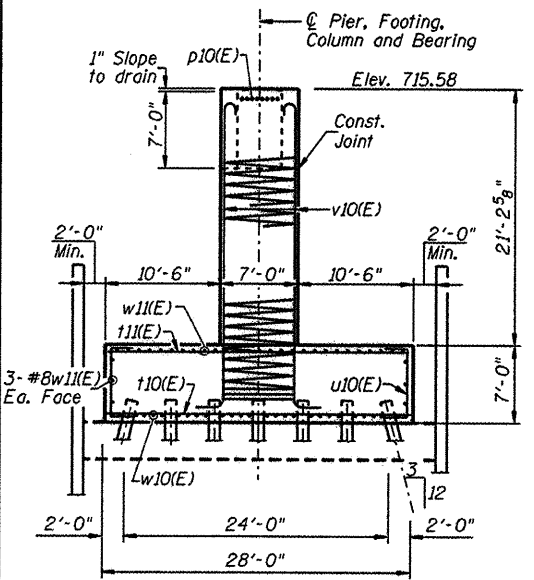
PLAN



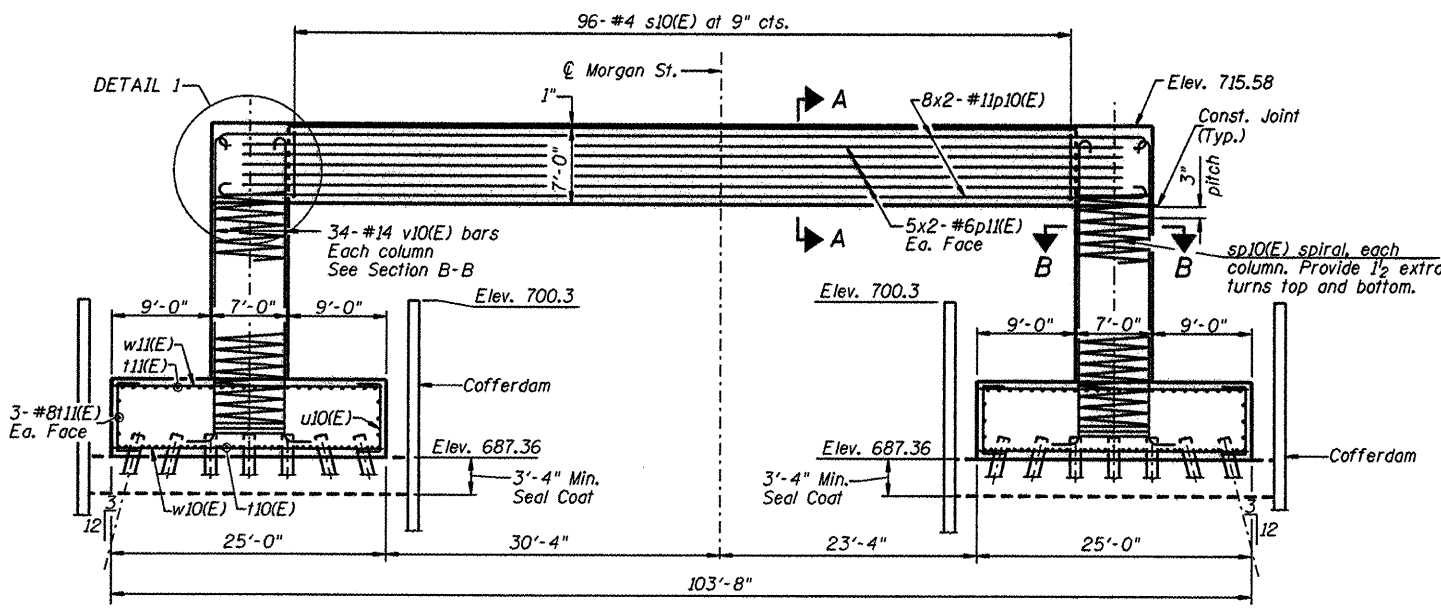
BARS u10(E) **BARS s10(E)**



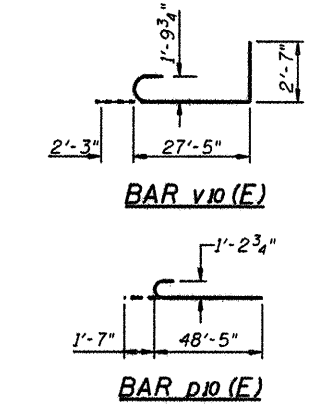
ANCHOR BOLT INSTALLATION DETAIL



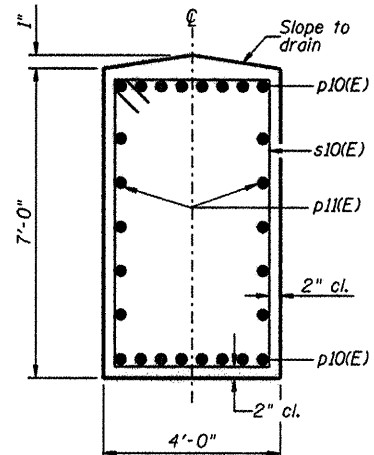
END VIEW (Looking North)



ELEVATION



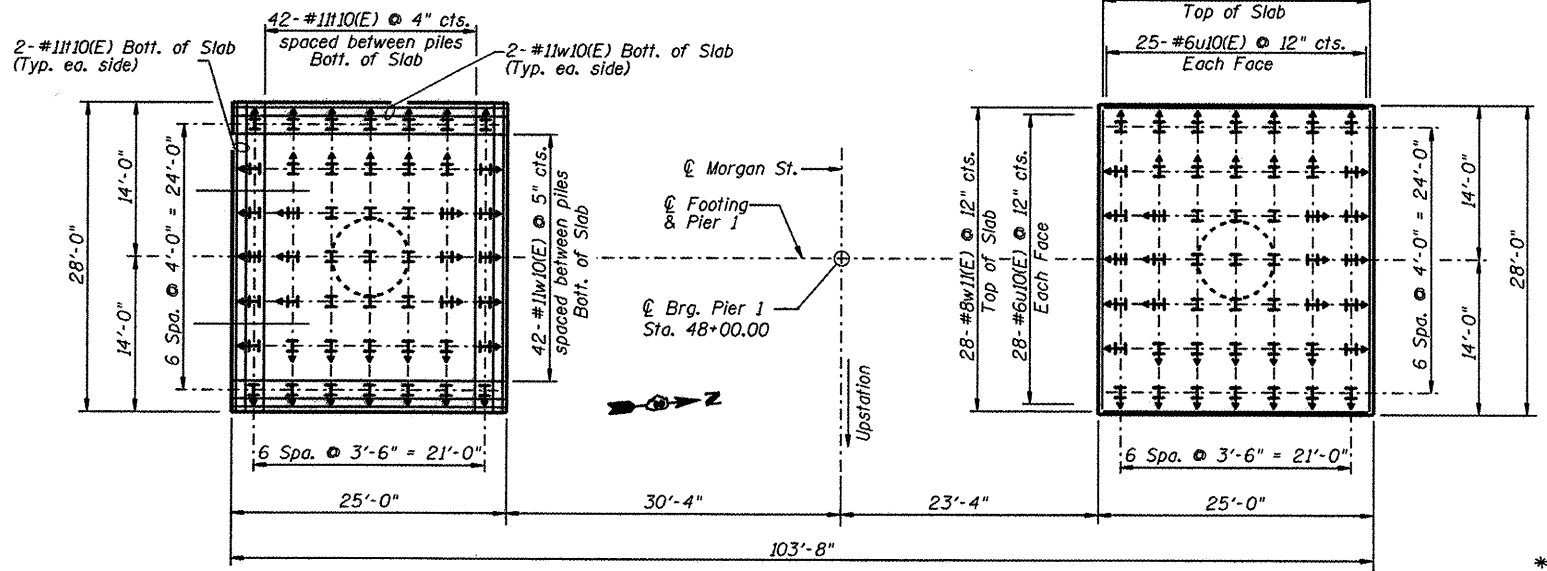
BAR v10(E) **BAR p10(E)**



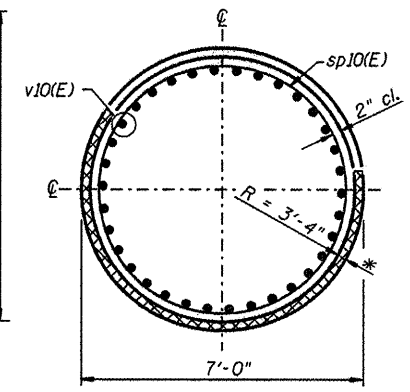
SECTION A-A

BEARING SEAT ELEVATIONS

LOCATION	ELEVATION
Column 1	715.58
Column 2	715.58



FOOTING PLAN



SECTION B-B

* 2" Allowance for concrete form liner. Form liner is not allowed to intrude on 3'-4" radius. Additional concrete required will be paid for under Form Liner Textured Surface.

PIER 1 BILL OF MATERIAL

Bar	No.	Size	Length	Shape
p10(E)	32	#11	50'-0"	C
p11(E)	20	#6	41'-4"	—
s10(E)	96	#4	21'-5"	D
sp10(E)	2	#5	1127'-0"	AAA
t10(E)	92	#11	27'-6"	—
t11(E)	62	#8	27'-6"	—
u10(E)	212	#6	10'-3"	□
v10(E)	68	#14	32'-3"	C
w10(E)	92	#11	24'-6"	—
w11(E)	68	#8	24'-6"	—
Cofferdam Excavation	Cu. Yd.		1130	
Concrete Structures	Cu. Yd.		498.2	
Seal Coat Concrete	Cu. Yd.		229.1	
Form Liner Textured Surface	Sq. Ft.		880	
Reinforcement Bars, Epoxy Coated	Pound		67,930	
Furnishing Piles, HP 12x53	Foot		8924	
Driving Piles	Foot		8924	
Test Pile Steel HP 12x53	Each		1	
Pile Shoes	Each		98	

For details of piles and Concrete Encasement, see sheet 75 of 79.

Notes:
 The Contractor shall make allowance for the deflection of forms, shrinkage and settlement of falsework, and allowance for dead load deflection in construction of the pier tie beam.
 Seal coat thickness design is based on the Estimated Water Surface Elevation (EWSE). Cofferdam design details and proposed changes in seal coat thickness shall be submitted to the Engineer for approval with the cofferdam design.

MIN. BAR LAPS
 #6 = 3'-10"
 #11 = 13'-7"

PILE DATA
 Type: HP 12x53, with Pile Shoes
 Nominal Required Bearing: 360 Kips
 Allowable Resistance Available: 119 Kips
 Est. Length: 92 ft.
 No. Production Piles: 97
 No. Test Piles: 1

L:\PROJECTS\082682\Drawings\CADD\Sheets\S.73_Pier 1.dgn

CMT
 CRANFORD, MURPHY & TILLY, INC.
 CONSULTING ENGINEERS
 License No. 184-00063

HNTB

DESIGNED -	PA, JDJ, BPD, CJW	REVISED -	
DRAWN -	GLD	REVISED -	
CHECKED -	RJK	REVISED -	
DATE -	02/04/2011	REVISED -	

**CITY OF ROCKFORD
 MORGAN STREET BRIDGE**

**PIER - 1
 STRUCTURE NO. 101-6108**

SCALE: SHEET NO. 73 OF 79 SHEETS STA. 47+00.74 TO STA. 52+63.50

F.A.U. RTE.	SECTION	COUNTY	TOTAL SHEETS	SHEET NO.
5077	99-00493-00-BR	WINNEBAGO	253	199
			CONTRACT NO. 85529	
FED. ROAD DIST. NO. 2 [ILLINOIS] FED. AID PROJECT BRM-5099651				