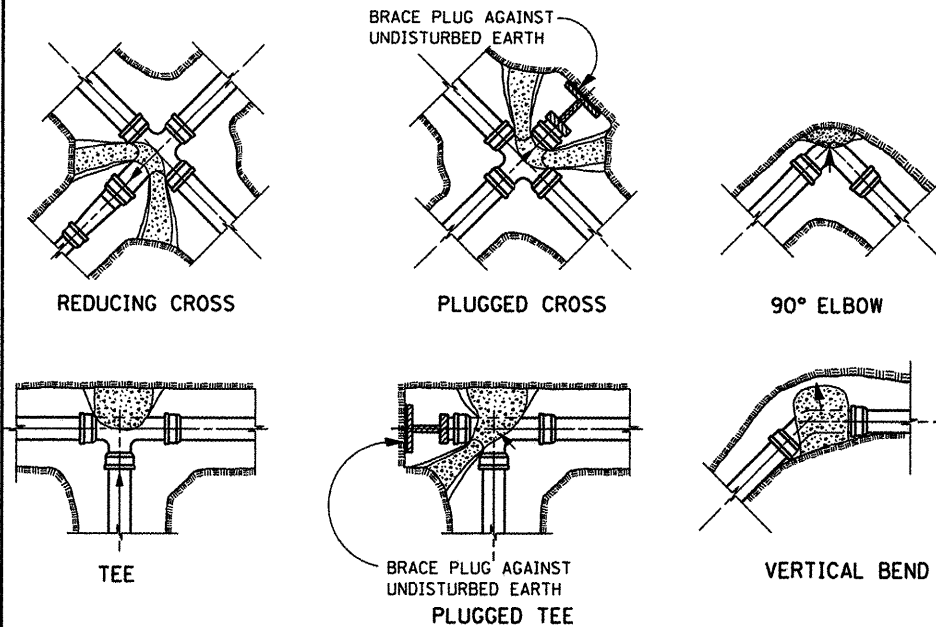


ALL DIMENSIONS ARE IN MILLIMETERS (INCHES) UNLESS OTHERWISE NOTED.

**SILICONE JOINT SEAL (CONCRETE DETAILS) 29.4**



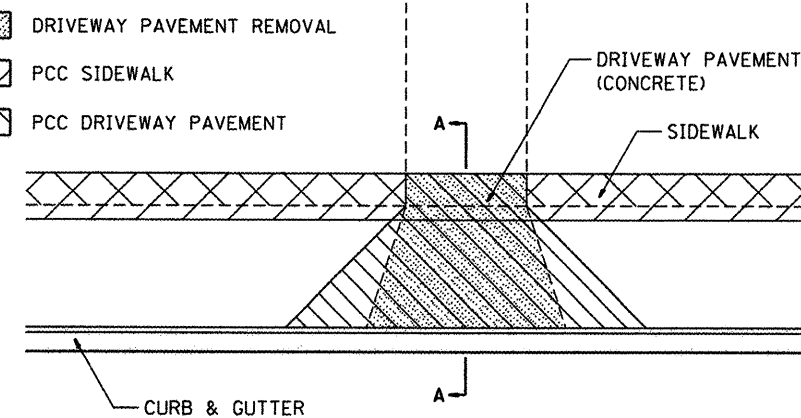
NOTES:

1. ALL BLOCKS TO BEAR AGAINST UNDISTURBED EARTH.
2. ARROWS INDICATE DIRECTION OF THRUST.
3. ALL BLOCKS TO BE CLASS SI CONCRETE.
4. ALL FITTINGS SHOWN IN PLAN EXCEPT VERTICAL BEND.
5. ALL DIMENSIONS ARE IN MILLIMETERS(INCHES) UNLESS OTHERWISE NOTED.

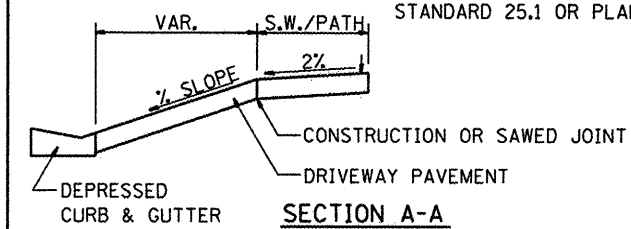
**THRUST BLOCK DETAILS 34.4**

PAY FOR AS

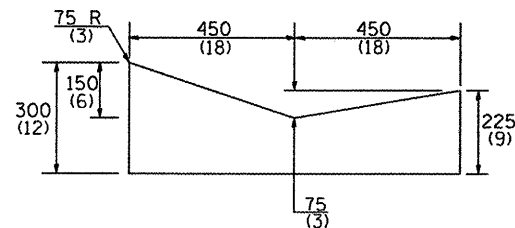
- SIDEWALK REMOVAL
- DRIVEWAY PAVEMENT REMOVAL
- PCC SIDEWALK
- PCC DRIVEWAY PAVEMENT



FOR DETAILS ON DIMENSIONS AND GRADES, SEE DISTRICT STANDARD 25.1 OR PLANS.



**SIDEWALK AND DRIVEWAY PAVEMENT PAY AREAS 35.4**



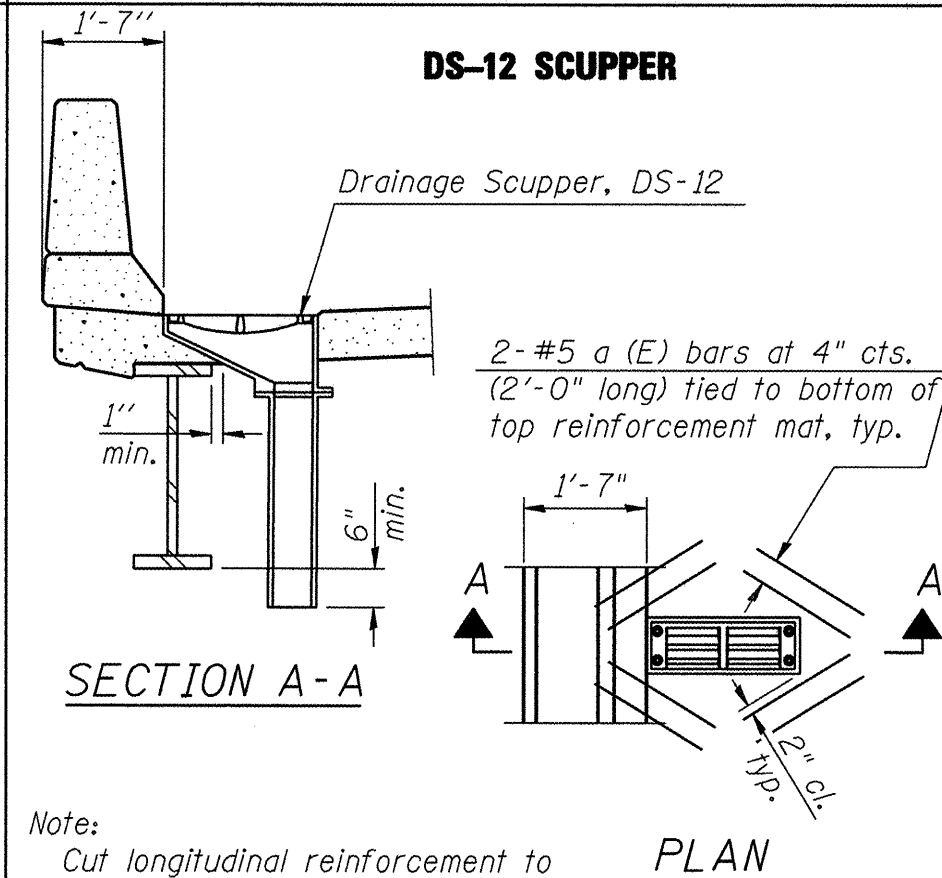
NOTES:

THIS WORK SHALL BE DONE IN ACCORDANCE WITH THIS DETAIL AND STANDARD 606101 THIS WORK SHALL BE PAID FOR AT THE CONTRACT UNIT PRICE PER METER (FOOT) FOR CONCRETE GUTTER, TYPE A (SPECIAL).

ALL DIMENSIONS ARE IN MILLIMETERS (INCHES) UNLESS OTHERWISE NOTED.

**CONCRETE GUTTER, TYPE A (SPECIAL) 36.4**

**INTENTIONALLY LEFT BLANK**



Note:  
Cut longitudinal reinforcement to clear drainage scuppers.

I:\rockford\8826682\drawings\add\_sheets\8826682.dwg



USER NAME = Steve Prange	DESIGNED - SJP / MNB	REVISED -
	DRAWN - ERD	REVISED -
PLOT SCALE = 60.0000 / IN.	CHECKED - SJP	REVISED -
PLOT DATE = 02/04/11	DATE - 02/04/2011	REVISED -

**CITY OF ROCKFORD  
MORGAN STREET BRIDGE**

**IDOT D2 /CITY STANDARD DRAWINGS - 1**

SCALE: N/A SHEET NO. 1 OF 15 SHEETS STA. TO STA.

F.A. RTE.	SECTION	COUNTY	TOTAL SHEETS	SHEET NO.
5077	99-00493-00-BR	WINNEBAGO	253	239
FED. ROAD DIST. NO. 2 ILLINOIS			CONTRACT NO. 85529	
FED. AID PROJECT BRM-509965				