

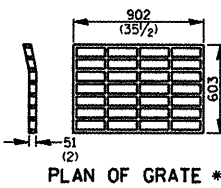
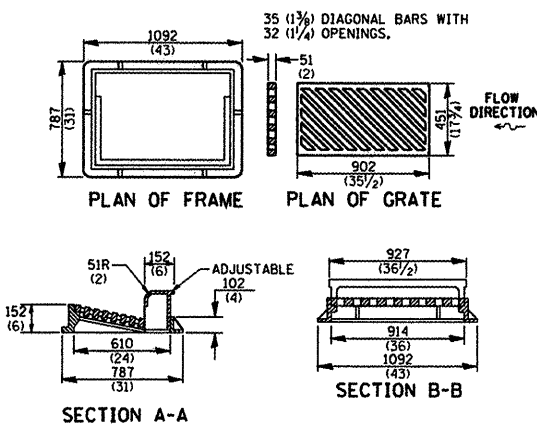
NOTES

SEE STANDARD 602701 FOR DETAILS OF STEPS.
 EXCEPT AS NOTED HEREON INLET SPECIAL SHALL BE CONSTRUCTED IN ACCORDANCE WITH SECTION 602 OF THE STANDARD SPECIFICATIONS.
 THE SIDE WALLS MAY BE BUILT AS PRECAST SEGMENTED SECTIONS.
 ALL VOIDS AROUND PIPE ENTRANCE, BOTH INSIDE AND OUTSIDE, SHALL BE SEALED WITH MORTAR.
 WEIGHT OF CAST IRON FRAME & GRATE = 240 kg (530 lbs.) ± .
 STEPS SHALL BE OMITTED WHEN DEPTH OF "H" IS LESS THAN 1.5 m (5 ft.).

DETAIL OF FRAME & GRATE

NOTES

CLASS SI CONCRETE OR PRECAST CONCRETE SHALL BE USED THROUGHOUT. PRECAST CONCRETE SHALL BE IN ACCORDANCE WITH SECTION 504.01 THRU 504.05 OF THE STANDARD SPECIFICATIONS EXCEPT THAT CONCRETE STRENGTH SHALL BE 27.5 MPa (4,000 psi) AFTER 28 DAYS.
 THE CONTRACT UNIT PRICE EACH FOR INLET SPECIAL SHALL INCLUDE THE COST OF CONSTRUCTING THE INLET BOX, FURNISHING AND INSTALLING THE FRAME AND GRATE, THE CAST IRON STEPS (IF USED), THE PRECAST FLOOR SLABS, SAND CUSHION (WHEN USED) AND REINFORCEMENT BARS.



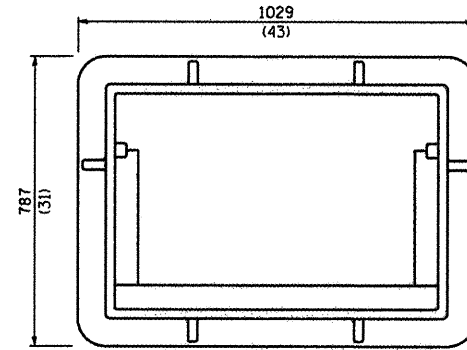
* THIS GRATE TO BE USED WITHOUT CURB BOX WHEN INLET IS IN DRIVEWAY.

ALL DIMENSIONS ARE IN MILLIMETERS (INCHES) UNLESS OTHERWISE NOTED.

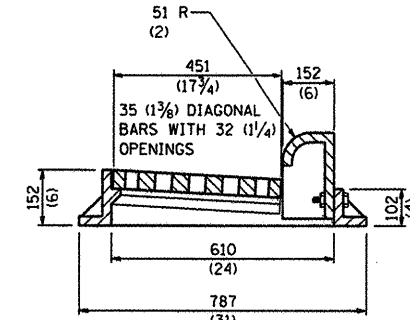
REVISED - 11-10-94

INLET SPECIAL 10.2

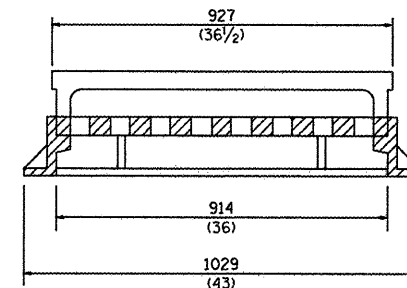
FRAME AND GRATE FOR INLET SPECIAL



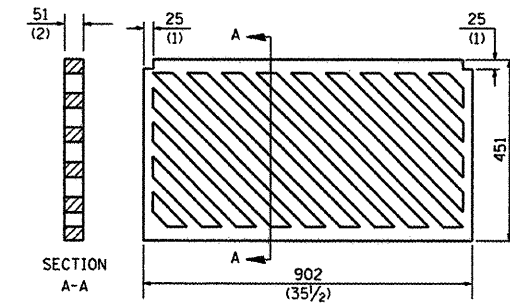
PLAN OF FRAME WITHOUT GRATE AND CURB BOX



TRANSVERSE SECTION



LONGITUDINAL SECTION



PLAN OF GRATE

ALL DIMENSIONS ARE IN MILLIMETERS (INCHES) UNLESS OTHERWISE NOTED.

REVISED - 9-25-92

R 3067 APPROXIMATE WEIGHT - 231 Kg. (510 LBS.)

FRAME AND GRATE FOR INLET SPECIAL 13.2c

I:\rockford\04826882\Drawings\Sheet\SR STD DRAWINGS.dgn



USER NAME = Steve Prange	DESIGNED - SJP / MNB	REVISED -
PLOT SCALE = 50.0000 / IN.	DRAWN - ERD	REVISED -
PLOT DATE = 02/04/11	CHECKED - SJP	REVISED -
	DATE - 02/04/2011	REVISED -

**CITY OF ROCKFORD
MORGAN STREET BRIDGE**

IDOT D2 /CITY STANDARD DRAWINGS - 2

SCALE: N/A SHEET NO. 2 OF 15 SHEETS STA. TO STA.

F.A. RTE.	SECTION	COUNTY	TOTAL SHEETS	SHEET NO.
5077	99-00493-00-BR	WINNEBAGO	253	240
CONTRACT NO. 85529			FED. ROAD DIST. NO. 2 ILLINOIS FED. AID PROJECT BRM-509965	