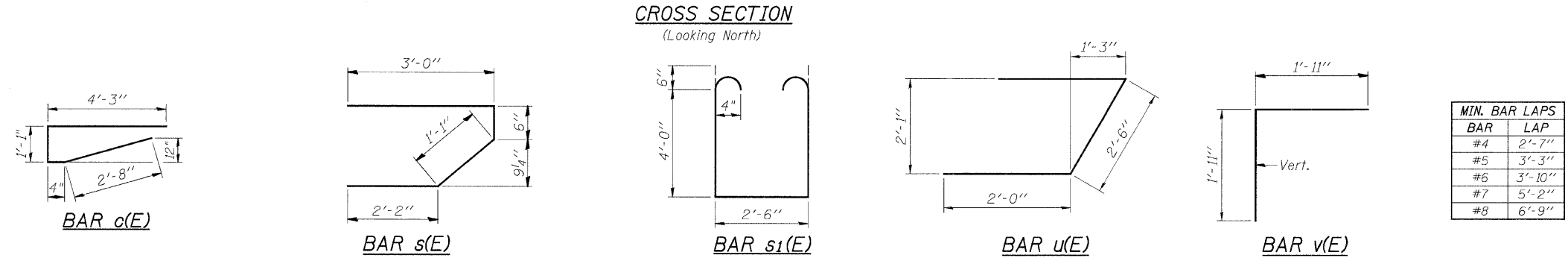
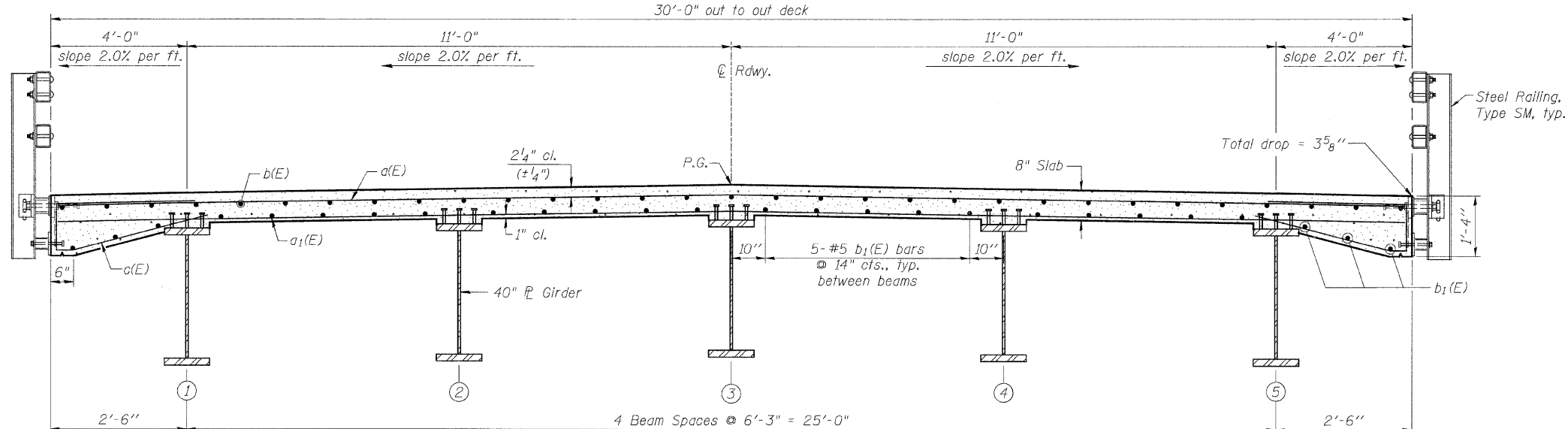


SECTION THRU EDGE OF DECK
 Reinforcement bars in the top of the deck may be placed with a 1/2" minimum clearance in the area of the rail post anchor devices. The studs of the anchor devices shall be placed below the top reinforcement bars and the outermost longitudinal reinforcement bar shall be placed directly above the studs of the rail post anchor device.

SUPERSTRUCTURE BILL OF MATERIAL

Bar	No.	Size	Length	Shape
a(E)	188	#5	29'-8"	—
a ₁ (E)	122	#5	29'-8"	—
a ₂ (E)	4	#5	34'-3"	—
b(E)	93	#5	35'-10"	—
b ₁ (E)	52	#5	52'-2"	—
c(E)	188	#6	8'-4"	⌋
m(E)	12	#6	34'-3"	—
m ₁ (E)	30	#6	9'-11"	—
m ₂ (E)	8	#6	6'-10"	—
m ₃ (E)	4	#6	2'-6"	—
s(E)	60	#5	7'-7"	⌋
s ₁ (E)	60	#4	11'-6"	⌋
u(E)	16	#6	6'-6"	⌋
v(E)	62	#5	3'-10"	⌋
Concrete Superstructure			Cu. Yd.	112.5
Bridge Deck Grooving			Sq. Yd.	316
Protective Coat			Sq. Yd.	338
Furnishing & Erecting Structural Steel			L. Sum	1
Stud Shear Connectors			Each	960
Reinforcement Bars, Epoxy Coated			Pound	20,900
Anchor Bolts, 1"			Each	20



BAR	LAP
#4	2'-7"
#5	3'-3"
#6	3'-10"
#7	5'-2"
#8	6'-9"

NOTES:
 Bars indicated thus 31 x 3-#5 etc. indicates 31 lines of bars with 3 lengths per line.
 *See Structural Sheet 8 of 17 for details.
 **Order a(E) and a₁(E) bars full length. Cut to fit skew and use remainder of bars in opposite end.

FILE NAME = S:\PROJECTS\2010\1051D10 - Bureau\CH11 DESIGN\STRUCTURE\Drawings\051D10Superstructure.dgn

USER NAME =	DESIGNED - M. C. WAGNER	REVISED -
PLOT SCALE =	CHECKED - B. K. CONVERSE	REVISED -
PLOT DATE =	DRAWN - F. D. LACHAT	REVISED -
	CHECKED - M. A. CACKLEY	REVISED -

BUREAU COUNTY
F.A.S. 184 (C.H. 11) OVER BIG BUREAU CREEK
STATION 59 + 75

SUPERSTRUCTURE DETAILS
STRUCTURE NO. 006-3032
 STRUCTURAL SHEET NO. 7 OF 17 SHEETS

F.A.S. RTE.	SECTION	COUNTY	TOTAL SHEETS	SHEET NO.
184	08-00211-00-BR	BUREAU	31	16
	WHA# 1051D10		CONTRACT NO. 87462	
ILLINOIS FED. AID PROJECT BR5-0184(107)				