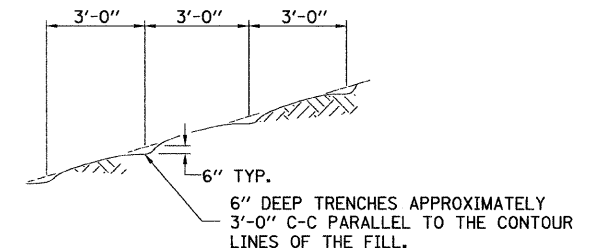
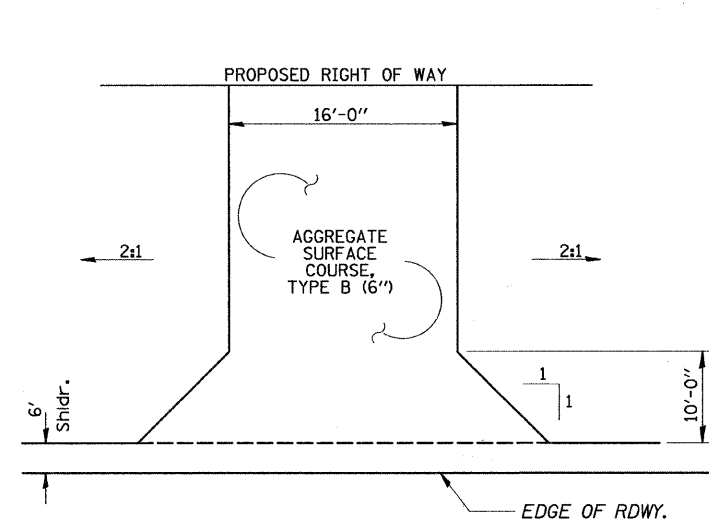
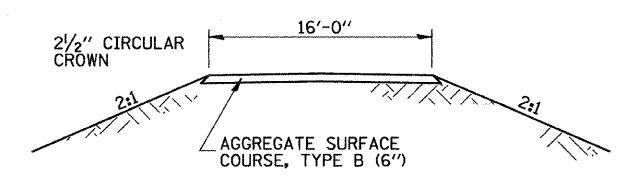


SUMMARY OF QUANTITIES

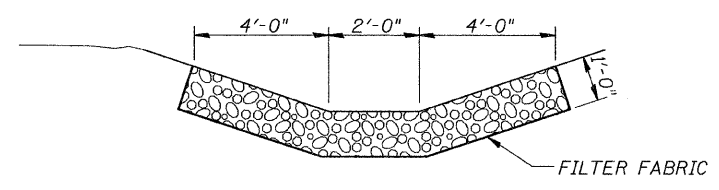
CODE NO.	ITEM	UNIT	QUANTITY
20100110	TREE REMOVAL (6 TO 15 UNITS DIAMETER)	UNIT	223
20100210	TREE REMOVAL (OVER 15 UNITS DIAMETER)	UNIT	18
20200100	EARTH EXCAVATION	CU YD	4,030
20300100	CHANNEL EXCAVATION	CU YD	520
20400800	FURNISHED EXCAVATION	CU YD	11,395
28000250	TEMPORARY EROSION CONTROL SEEDING	POUND	1,500
28000305	TEMPORARY DITCH CHECKS	FOOT	1,188
28000400	PERIMETER EROSION BARRIER	FOOT	385
28000500	INLET AND PIPE PROTECTION	EACH	3
28100209	STONE RIPRAP, CLASS A5	TON	975
28200200	FILTER FABRIC	SQ YD	3,665
28300400	AGGREGATE DITCH	TON	1,507
31100100	SUBBASE GRANULAR MATERIAL, TYPE A	TON	480
40200800	AGGREGATE SURFACE COURSE, TYPE B	TON	147
40600100	BITUMINOUS MATERIALS (PRIME COAT)	GALLON	1,219
40600982	HOT-MIX ASPHALT SURFACE REMOVAL - BUTT JOINT	SQ YD	455
40603080	HOT-MIX ASPHALT BINDER COURSE, IL-19.0, N50	TON	1,040
40603310	HOT-MIX ASPHALT SURFACE COURSE, MIX "C", N50	TON	361
48100100	AGGREGATE SHOULDERS, TYPE A	TON	580
① 50100100	REMOVAL OF EXISTING STRUCTURES	EACH	1
50105220	PIPE CULVERT REMOVAL	FOOT	72
50200100	STRUCTURE EXCAVATION	CU YD	235
50300225	CONCRETE STRUCTURES	CU YD	152.5
50300280	CONCRETE ENCASEMENT	CU YD	8.2
① 50400305	PRECAST PRESTRESSED CONCRETE DECK BEAMS (17" DEPTH)	SQ FT	1,305
① 50400505	PRECAST PRESTRESSED CONCRETE DECK BEAMS (27" DEPTH)	SQ FT	3,548
50800105	REINFORCEMENT BARS	POUND	14,420
* ① 50901050	STEEL RAILING, TYPE SM	FOOT	328
51200957	FURNISHING METAL SHELL PILES 12"x0.250"	FOOT	384
51200959	FURNISHING METAL SHELL PILES 14"x0.312"	FOOT	947
① 51202305	DRIVING PILES	FOOT	1,331
① 51203200	TEST PILE METAL SHELLS	EACH	4
51500100	NAME PLATES	EACH	1
① 54201063	PIPE CULVERTS, CLASS D, TYPE 2 18"	FOOT	82
58100200	WATERPROOFING MEMBRANE SYSTEM	SQ YD	546
58300100	PORTLAND CEMENT MORTAR FAIRING COURSE	FOOT	400
① 59300100	CONTROLLED LOW-STRENGTH MATERIAL	CU YD	16.8
* 63000001	STEEL PLATE BEAM GUARDRAIL, TYPE A, 6 FOOT POSTS	FOOT	587.5
* 63100087	TRAFFIC BARRIER TERMINAL, TYPE 6A	EACH	4
* 63100167	TRAFFIC BARRIER TERMINAL, TYPE 1 (SPECIAL) TANGENT	EACH	4
63200310	GUARDRAIL REMOVAL	FOOT	152
67100100	MOBILIZATION	L SUM	1
* 78001110	PAINT PAVEMENT MARKING - LINE 4"	FOOT	5,200
* 78200410	GUARDRAIL MARKERS, TYPE A	EACH	16
* ① 78201000	TERMINAL MARKER - DIRECT APPLIED	EACH	4
① X2501000	SEEDING, CLASS 2 (SPECIAL)	ACRE	2.4
① X5020501	UNDERWATER STRUCTURE EXCAVATION PROTECTION - LOCATION 1	EACH	1
① X5020502	UNDERWATER STRUCTURE EXCAVATION PROTECTION - LOCATION 2	EACH	1
① X5080600	MECHANICAL SPLICERS	EACH	88
① X7010216	TRAFFIC CONTROL AND PROTECTION (SPECIAL)	L SUM	1
① Z0013798	CONSTRUCTION LAYOUT	L SUM	1
① Z0076600	TRAINERS	HOURL	500



NOTE: ALL SLOPES 3:1 OR STEEPER AND GREATER THAN 5' IN HEIGHT SHALL BE CONTOUR PLOWED AS SHOWN IN DETAIL, COST SHALL BE INCLUDED WITH SEEDING, CLASS 2 (SPECIAL).
DETAIL OF CONTOUR PLOWING



FIELD ENTRANCES
STA 154+30 RT
STA 160+64 LT
STA 163+94 LT



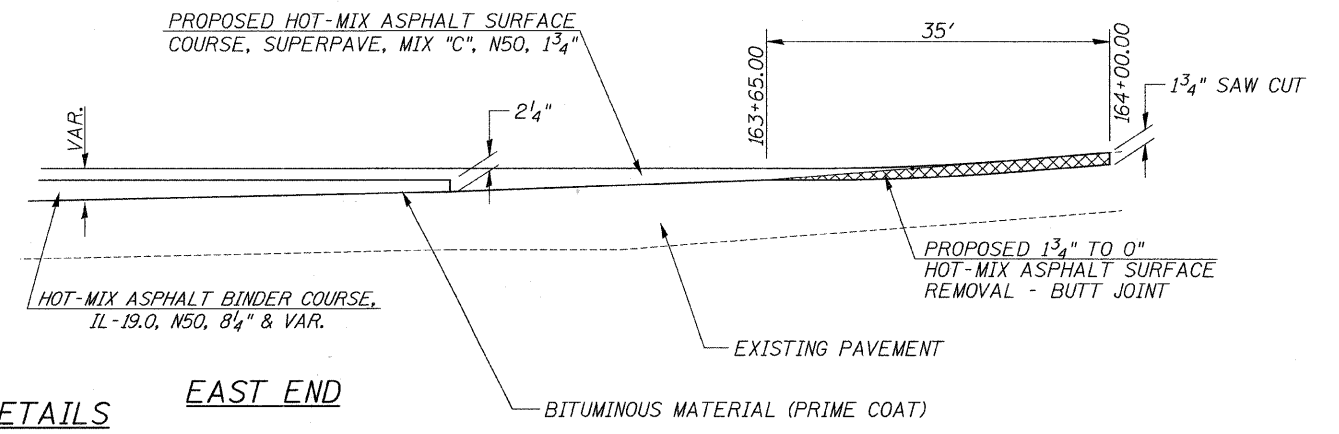
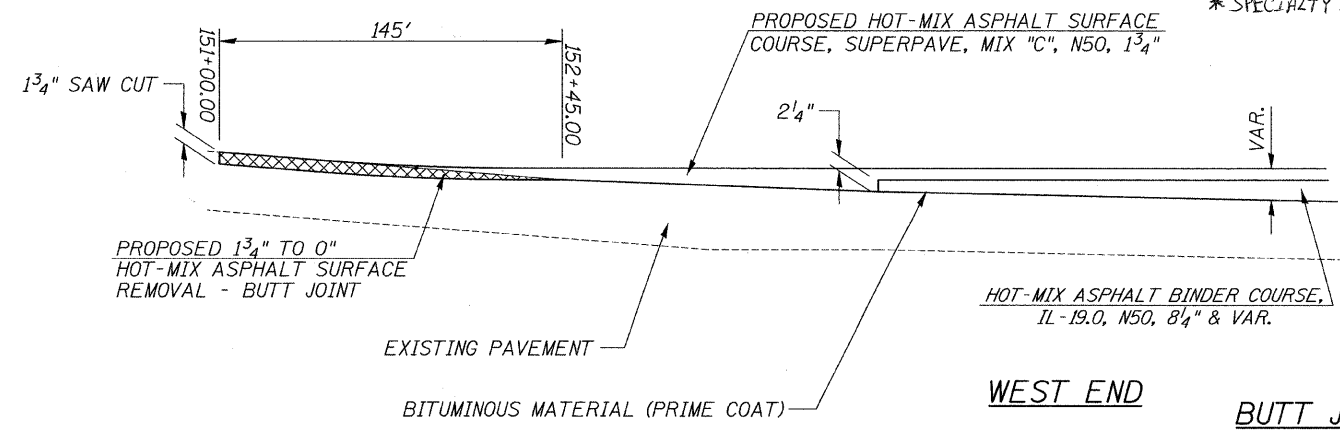
DETAIL OF AGGREGATE DITCH
SEE ARTICLE 283.03 FOR FILTER FABRIC PLACEMENT

① SEE SPECIAL PROVISIONS

CONSTRUCTION TYPE CODE (0011)

Δ = (0042)

* SPECIALTY ITEMS



BUTT JOINT DETAILS

FILE NAME = V:\Bridg\2484-Morgan\24840001.dgn	USER NAME = cthomas	DESIGNED - JRB	REVISED -	MORGAN COUNTY COUNTY HIGHWAY 28 OVER HENRY CREEK	DETAILS, SUMMARY OF QUANTITIES	F.A.S. R.T.E. = 609	SECTION = 07-00099-00-BR	COUNTY = MORGAN	TOTAL SHEETS = 48	SHEET NO. = 3	
PLOT SCALE = 1/8" = 1' IN.	CHECKED - JRB	REVISED -	SCALE: NONE			SHEET NO. 1 OF 1 SHEETS	STA. 151+00.00 TO STA. 164+00.00	FED. ROAD DIST. NO. 7	ILLINOIS	FED. AID PROJECT BRS-06091091	
PLOT DATE = 1/6/2011	DATE = 12/22/08	REVISED -									
CONTRACT NO. 93545											