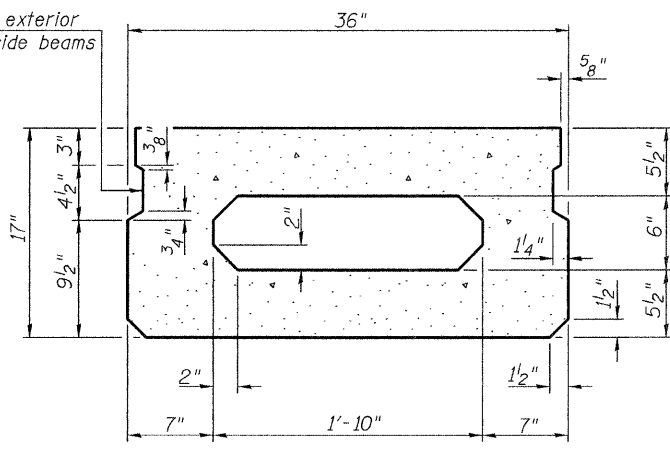


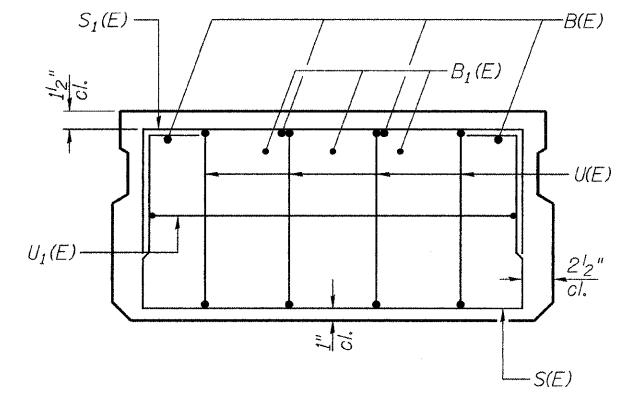
SECTION C-C

**Omit key on exterior face of outside beams

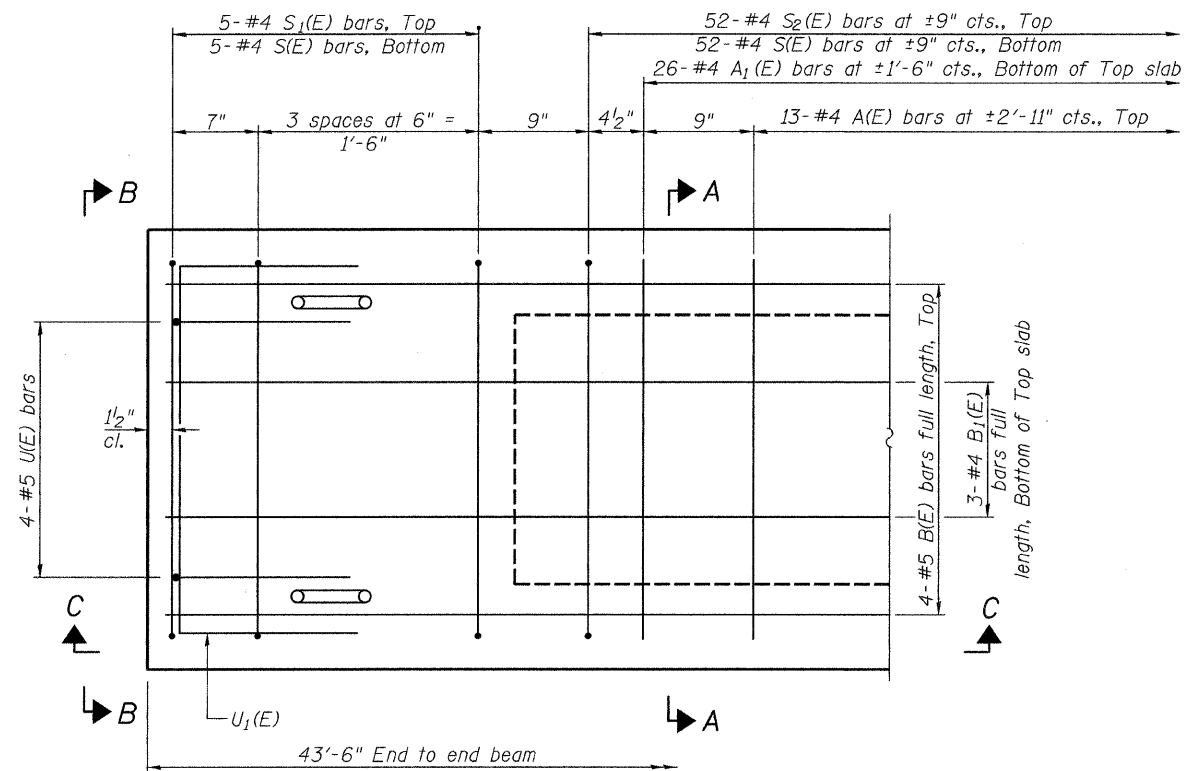


SECTION A-A
(Showing dimensions)

**Rail post anchor devices (Sheet 6 of 12) to be cast into exterior face of outside beams.



VIEW B-B

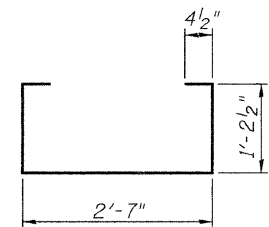


PLAN VIEW

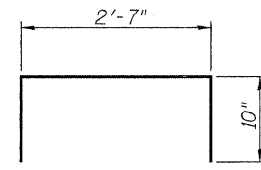
Note: Spacing of S(E) and S2(E) bars may be adjusted up to 4" in the immediate area of the transverse tie diaphragms to miss the block outs for the transverse ties.

MIN. BAR LAP

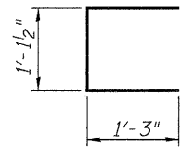
#4 bar = 2'-0"
#5 bar = 2'-6"



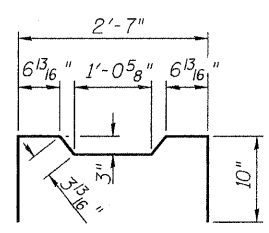
BAR S(E)



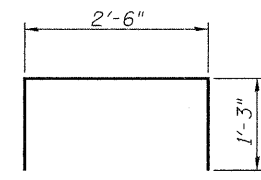
BAR S1(E)



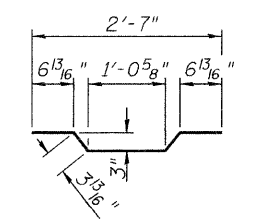
BAR U(E)



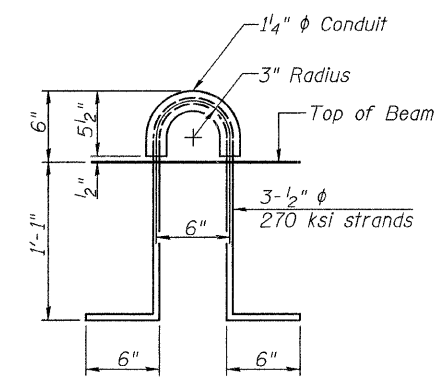
BAR S2(E)



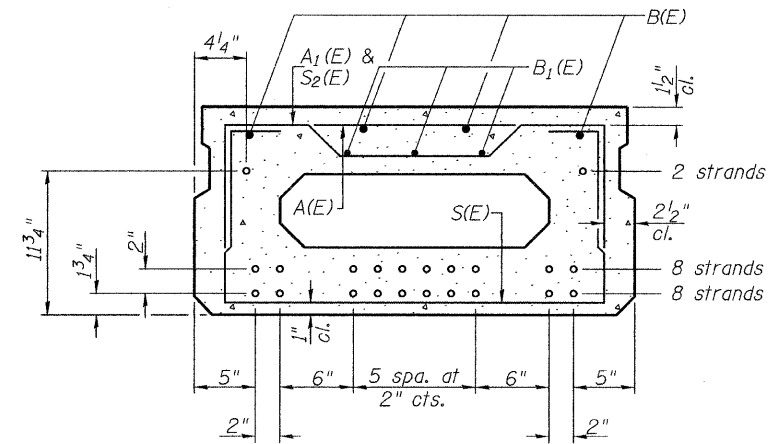
BAR U1(E)



BAR A1(E)



LIFTING LOOP DETAIL



SECTION A-A

18-1/2"φ Strands Each Strand Stressed to 30,900 Lbs.
8-Strands 1 3/4" up, 8-Strands 3 3/4" up, 2-Strands 11 3/4" up

Note: Place the number of strands specified in each row symmetrically about the centerline of beam in the permissible strand locations shown.

BAR LIST-ONE BEAM ONLY
(For information only)

Bar	No.	Size	Length	Shape
A(E)	13	#4	2'-7"	—
A1(E)	26	#4	2'-10"	—
B(E)	4	#5	*43'-3"	—
B1(E)	3	#4	*43'-3"	—
S(E)	62	#4	5'-9"	□
S1(E)	10	#4	4'-3"	□
S2(E)	52	#4	4'-6"	□
U(E)	8	#5	3'-8"	□
U1(E)	2	#4	5'-0"	□

* Total Length, Lap as necessary

Note: See sheet 2 of 12 for additional details and Bill of Material.

SUPERSTRUCTURE DETAILS - SPAN 1
MORGAN COUNTY
SECTION 07-00099-00-BR
C.H. 28 OVER HENRY CREEK

SHEET NO. 3	ROUTE NO.	SECTION	COUNTY	TOTAL SHEETS	SHEET NO.
	CH 28	07-00099-00-BR	MORGAN	48	11
12 SHEETS	SN 069-3267		CONTRACT NO. 93545		
	FED. ROAD DIST. NO. 7 ILLINOIS		FED. AID PROJECT BRS-0609(109)		