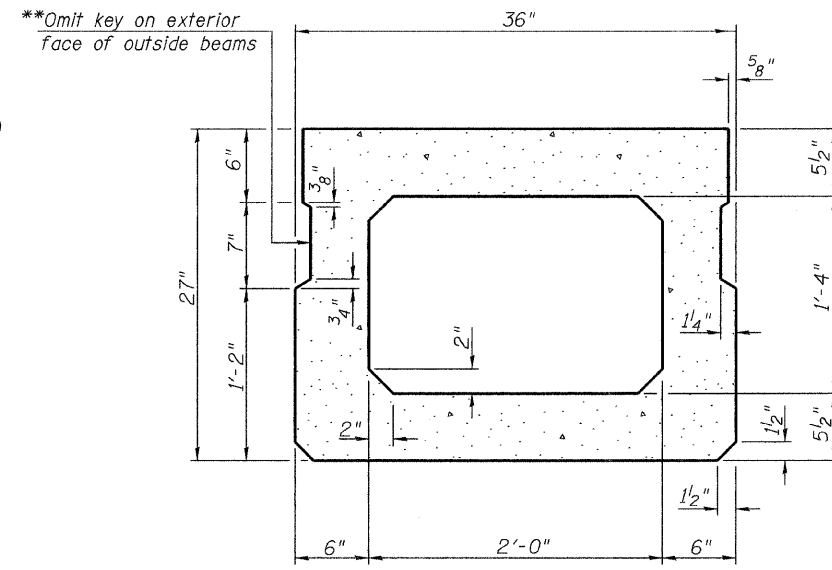
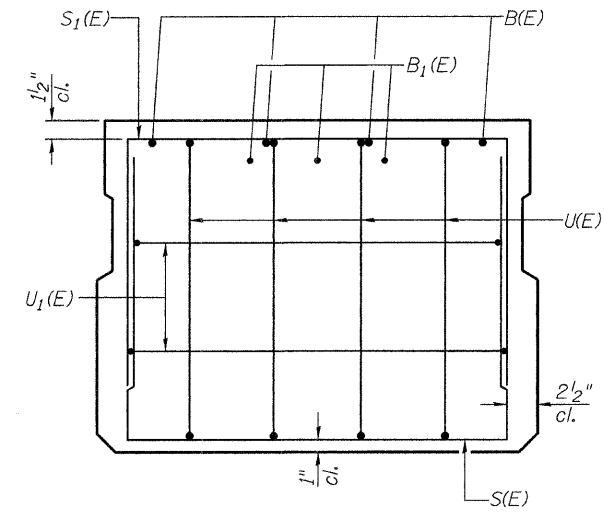


**SECTION C-C**

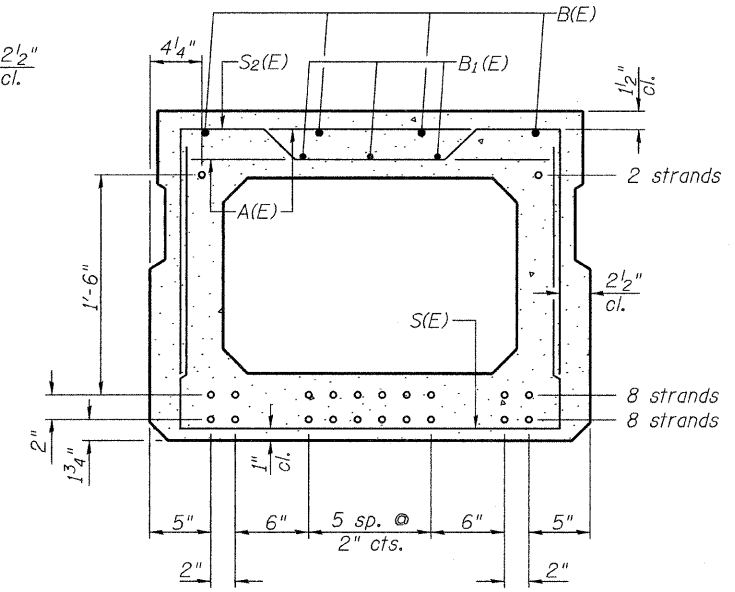


**SECTION A-A**  
(Showing demensions)

\*\*Rail post anchor devices (Sheet 6 of 12) to be cast into exterior face of outside beams.

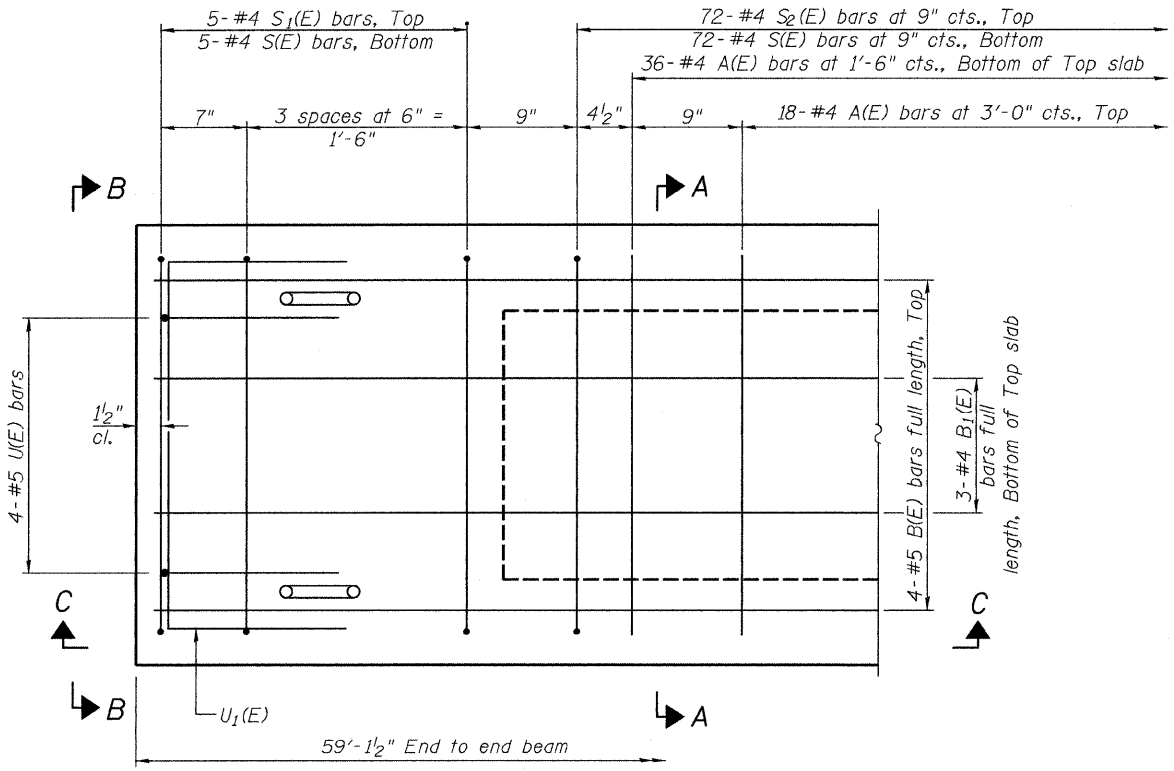


**VIEW B-B**

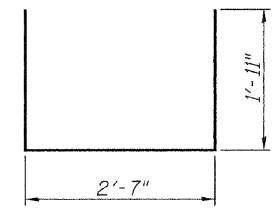


**SECTION A-A**

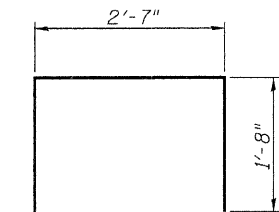
18-1/2"φ Strands Each Strand Stressed to 30,900 Lbs.  
8-Strands 1 3/4" up, 8-Strands 3 3/4" up, 2-Strands 1'-9 3/4" up  
Note: Place the number of strands specified in each row symmetrically about the centerline of beam in the permissible strand locations shown.



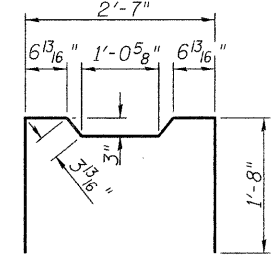
**PLAN VIEW**



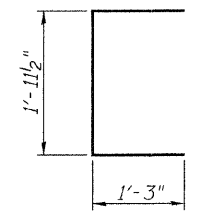
**BAR S(E)**



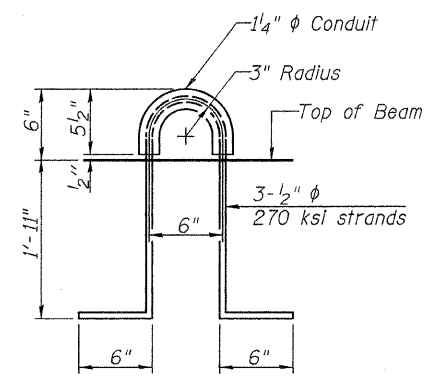
**BAR S1(E)**



**BAR S2(E)**



**BAR U(E)**



**LIFTING LOOP DETAIL**

**MINIMUM BAR LAP**

#4 Bar = 2'-0"  
#5 Bar = 2'-6"

**BAR LIST-ONE BEAM ONLY**

(For information only)

Bar	No.	Size	Length	Shape
A(E)	54	#4	2'-7"	—
B(E)	4	#5	*58'-10"	—
B1(E)	3	#4	*58'-10"	—
S(E)	82	#4	6'-5"	⌊
S1(E)	10	#4	5'-11"	⌊
S2(E)	72	#4	6'-2"	⌊
U(E)	8	#5	4'-6"	⌊
U1(E)	4	#4	5'-0"	⌊

\* Total Length, Lap as necessary

Note: See sheet 4 of 12 for additional details and Bill of Material.

**SUPERSTRUCTURE DETAILS - SPAN 2 & 3**  
**MORGAN COUNTY**  
**SECTION 07-00099-00-BR**  
**C.H. 28 OVER HENRY CREEK**

SHEET NO. 5 12 SHEETS	ROUTE NO.	SECTION	COUNTY	TOTAL SHEETS	SHEET NO.
	CH 28	07-00099-00-BR	MORGAN	48	13
	SN 069-3267		CONTRACT NO. 93545		
FED. ROAD DIST. NO. 7 ILLINOIS		FED. AID PROJECT BRS-0609(109)			