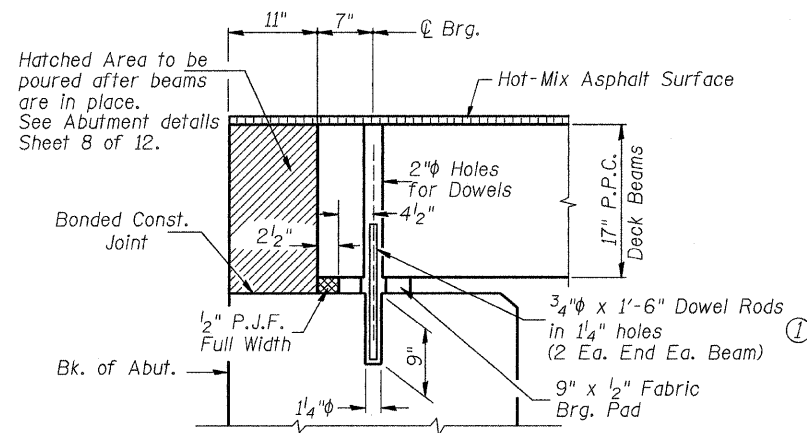
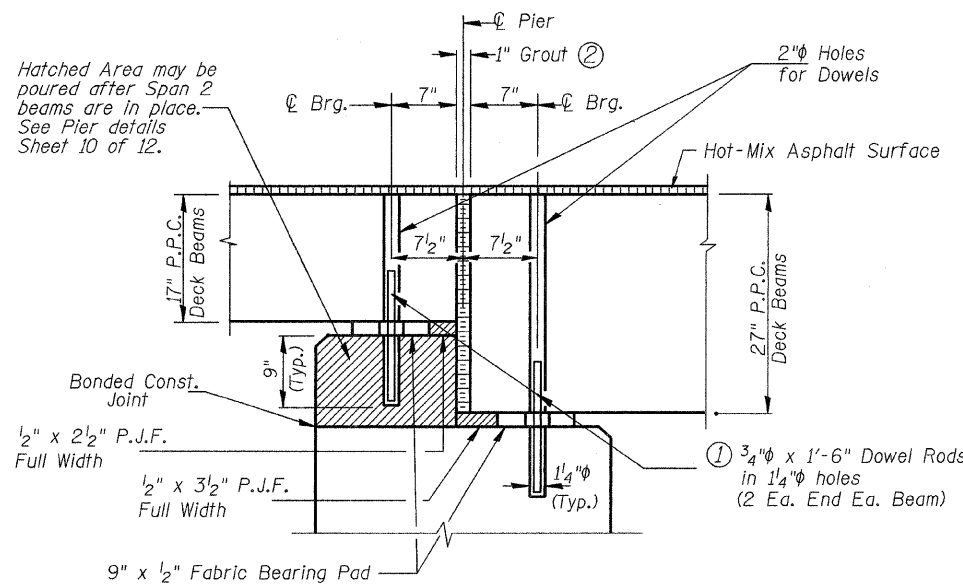


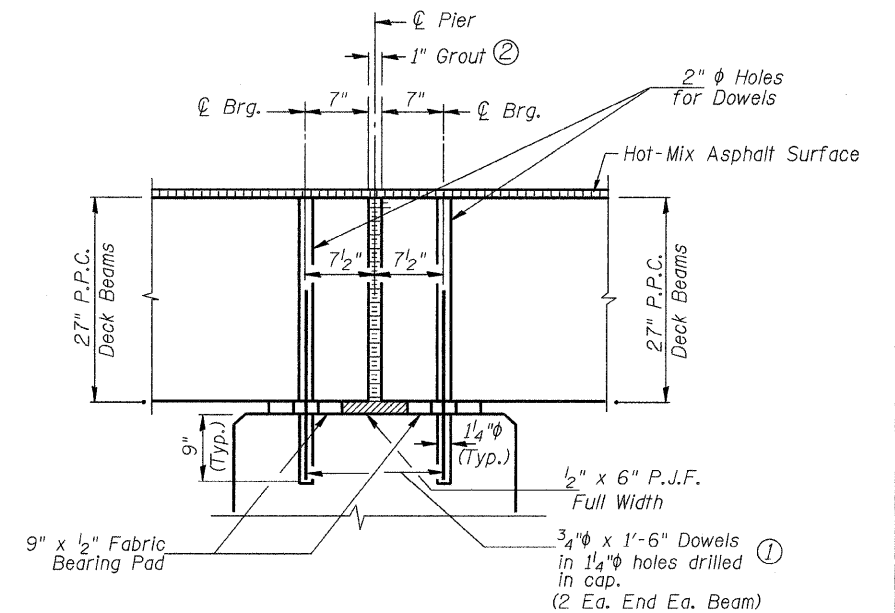
RAIL POST SPACING



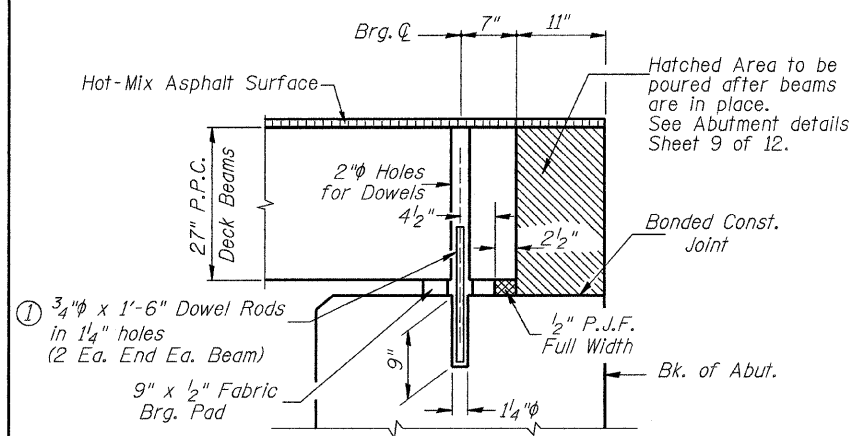
SECTION THRU WEST ABUTMENT



SECTION THRU PIER 1

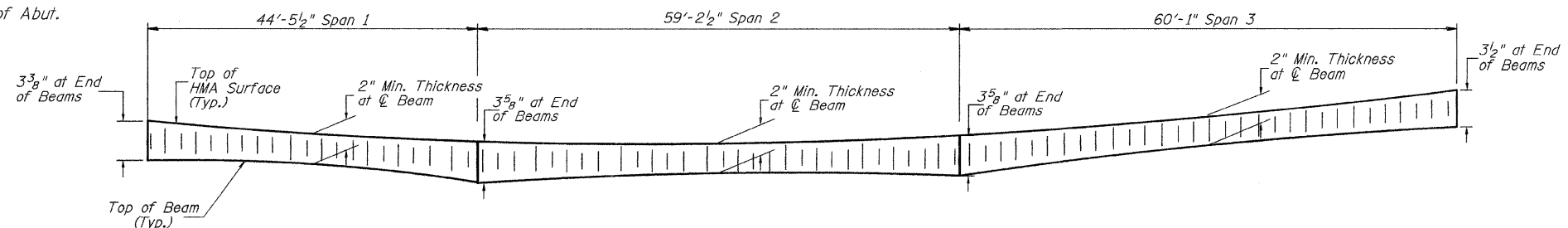


SECTION THRU PIER 2



SECTION THRU EAST ABUTMENT

- ① Dowel Rods to be grouted after beams are in place and allowed to cure (Min. 24 hr.) prior to grouting the shear keys.
- ② 1" Joint shall be packed with a very dry mix of 2:1 sand and P.C. mortar. 1" Dimension may vary plus or minus to accommodate tolerance in beam lengths.



HOT-MIX ASPHALT SURFACE PROFILE
Includes Waterproofing Membrane System

**RAIL POST SPACING AND
SUPERSTRUCTURE DETAILS
MORGAN COUNTY
SECTION 07-00099-00-BR
C.H. 28 OVER HENRY CREEK**

SHEET NO. 7 12 SHEETS	ROUTE NO.	SECTION	COUNTY	TOTAL SHEETS	SHEET NO.
	CH 28	07-00099-00-BR	MORGAN	48	15
SN 069-3267			CONTRACT NO. 93545		
FED. ROAD DIST. NO. 7 ILLINOIS			FED. AID PROJECT BRS-0609(109)		