

**WEST ABUTMENT
BILL OF MATERIAL**

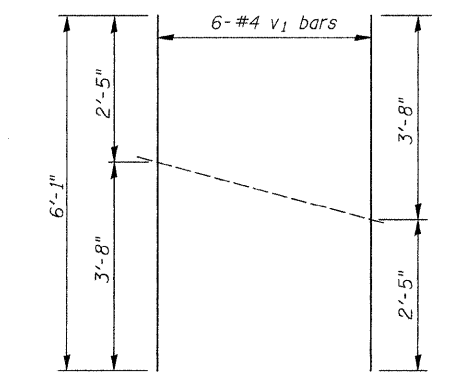
BAR NO.	SIZE	LENGTH	SHAPE
h	#4	30'-9"	—
h ₁	#4	6'-6"	—
p	#7	30'-9"	—
s	#4	10'-5"	□
u	#6	11'-7"	□
v	#4	3'-2"	—
v ₁	#4	6'-1"	—
Concrete Structures			CU YD 11.7
Reinforcement Bars			POUND 1,360
Structure Excavation			CU YD 30
Name Plates			EACH 1
Furnishing Metal Shell Piles 12"x0.250"			FOOT 152
Driving Piles			FOOT 152
Test Pile Metal Shells			EACH 1
Concrete Encasement			CU YD 1.3

① See Special Provisions

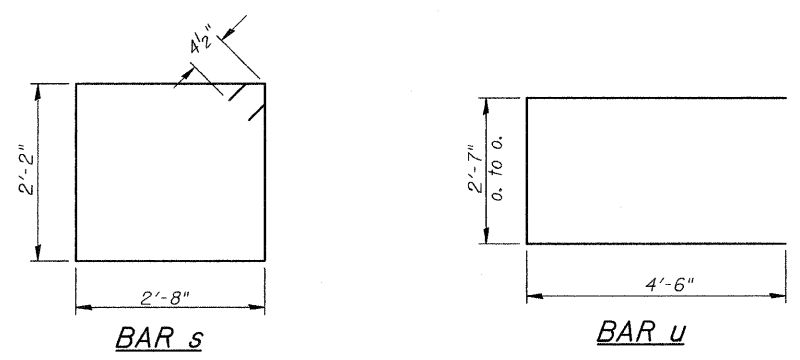
DESIGN STRESSES
 $f'_c = 3,500$ p.s.i.
 $f_y = 60,000$ p.s.i.

- NOTES**
- The Backwall and the portion of the Wingwalls above the bonded construction joint shall be cast against the in-place beam.
 - Reinforcement bars shall conform to ASTM A706 Grade 60.

PILE DATA
 Type & Size: Metal Shell 12"x0.025"
 Nominal Required Bearing: 220 kips
 Factored Resistance Available: 110 kips
 Est. Length: 38'
 No. Req'd.: 5 (Includes 1 Test Pile)



BAR CUTTING DIAGRAM
 * Order v₁ bars full length. Cut as shown and use remainder of bars in opposite face.



**WEST ABUTMENT
MORGAN COUNTY
SECTION 07-00099-00-BR
C.H. 28 OVER HENRY CREEK**

SHEET NO. 8 12 SHEETS	ROUTE NO.	SECTION	COUNTY	TOTAL SHEETS	SHEET NO.
	CH 28	07-00099-00-BR	MORGAN	48	16
SN 069-3267			CONTRACT NO. 93545		
FED. ROAD DIST. NO. 7 ILLINOIS			FED. AID PROJECT BRS-0609(109)		