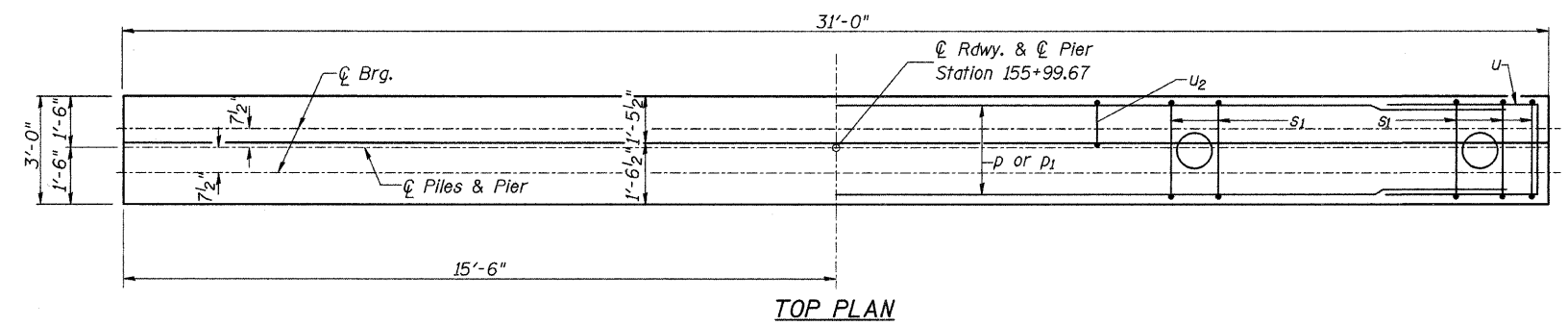
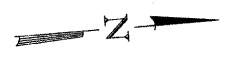
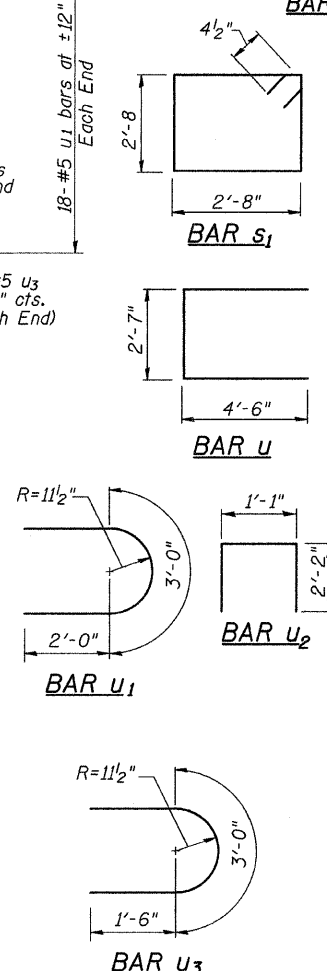
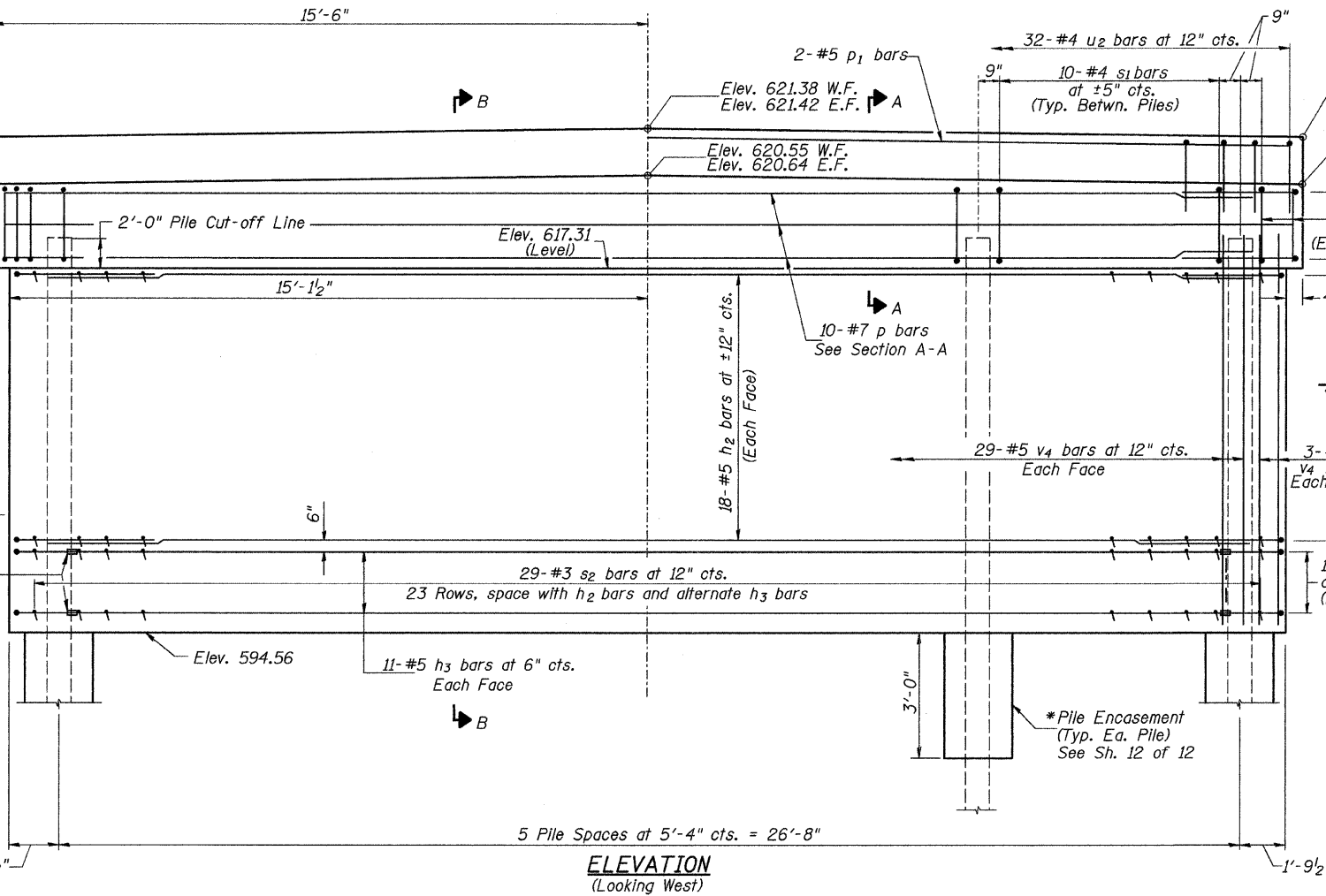
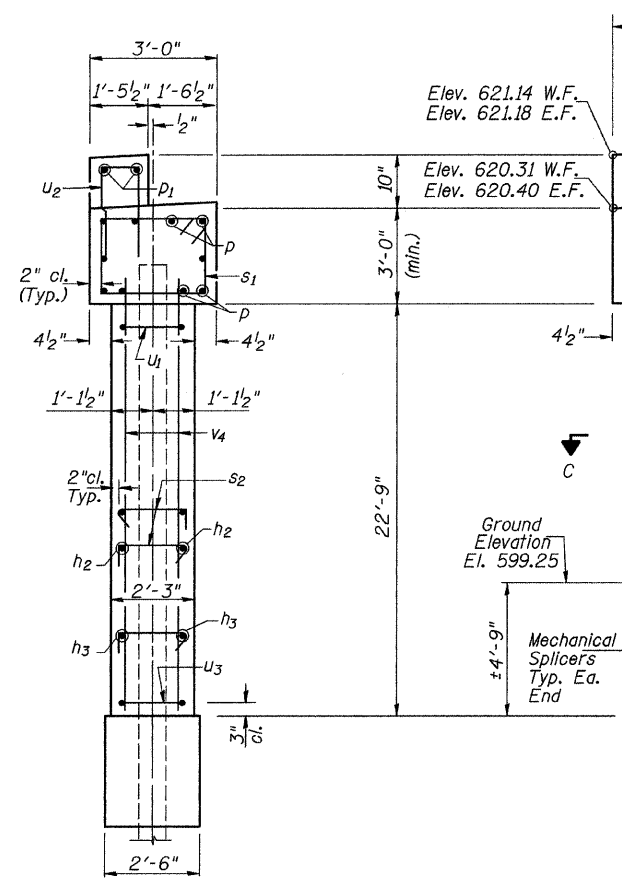
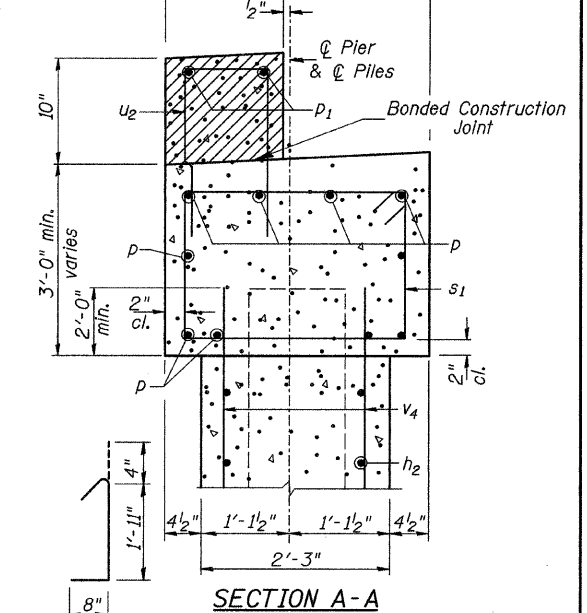


NOTES:
All edges shall be standard
3/4" chamfer



Hatched Area may be poured after Span 2 PPC Beams are set.



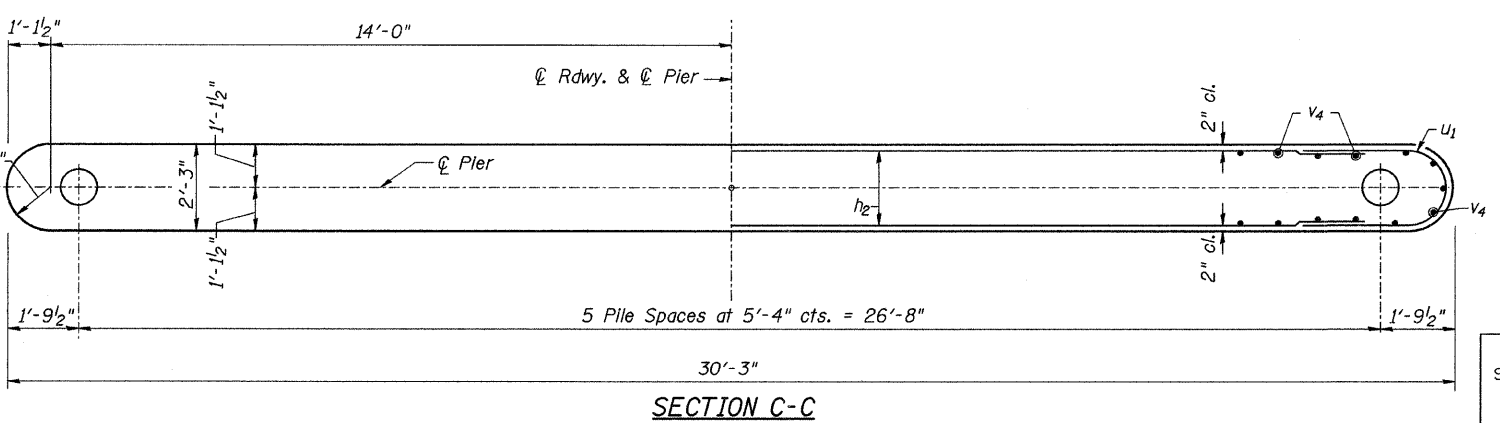
PIER #1
BILL OF MATERIAL

BAR	NO.	SIZE	LENGTH	SHAPE
h ₂	36	#5	28'-0"	—
h ₃	22	#5	25'-0"	—
p	10	#7	30'-9"	—
p ₁	2	#5	30'-9"	—
s ₁	56	#4	11'-5"	□
s ₂	667	#3	2'-11"	└┘
u	6	#6	11'-7"	┌┐
u ₁	36	#5	7'-0"	┌┐
u ₂	32	#4	5'-5"	┌┐
u ₃	22	#5	6'-0"	┌┐
v ₄	64	#5	24'-7"	—
Concrete Structures			CU YD	62.8
Reinforcement Bars			POUND	5,740
Structure Excavation			CU YD	35
Furnishing Metal Shell Piles 14"x0.312"			FOOT	395
① Driving Piles			FOOT	395
① Test Pile Metal Shells			EACH	1
① Mechanical Splicers			EACH	44
Concrete Encasement			CU YD	2.6
① Underwater Structure Excavation Protection - Location 1			EACH	1

① See Special Provisions

*If a portion of the pier wall or concrete encasement is under water, reinforcement may be placed underwater in forms. Concrete shall be tremied according to Article 503.08 of the Standard Specifications to an elevation of 1'-0" above the water level at the time of construction.

PILE DATA
Type & Size: Metal Shell 14"x0.312"
Nominal Required Bearing: 420 kips
Factored Resistance Available: 210 kips
Est. Length: 79'
No. Req'd: 6 (Includes 1 Test Pile)



SHEET NO. 10 12 SHEETS	ROUTE NO. CH 28	SECTION 07-00099-00-BR	COUNTY MORGAN	TOTAL SHEETS 48	SHEET NO. 18
	S.N. 069-3267		CONTRACT NO. 98545		
FED. ROAD DIST. NO. 7 ILLINOIS			FED. AID PROJECT BRS-0609(109)		

PIER #1
MORGAN COUNTY
SECTION 07-00099-00-BR
C.H. 28 OVER HENRY CREEK