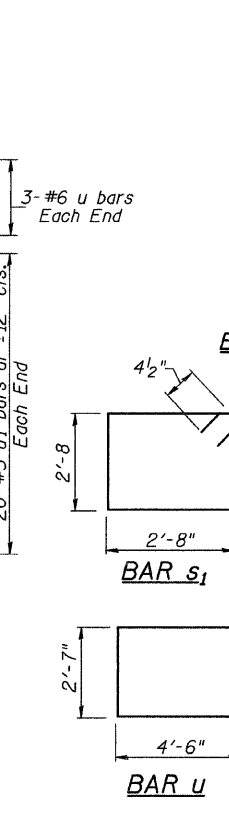
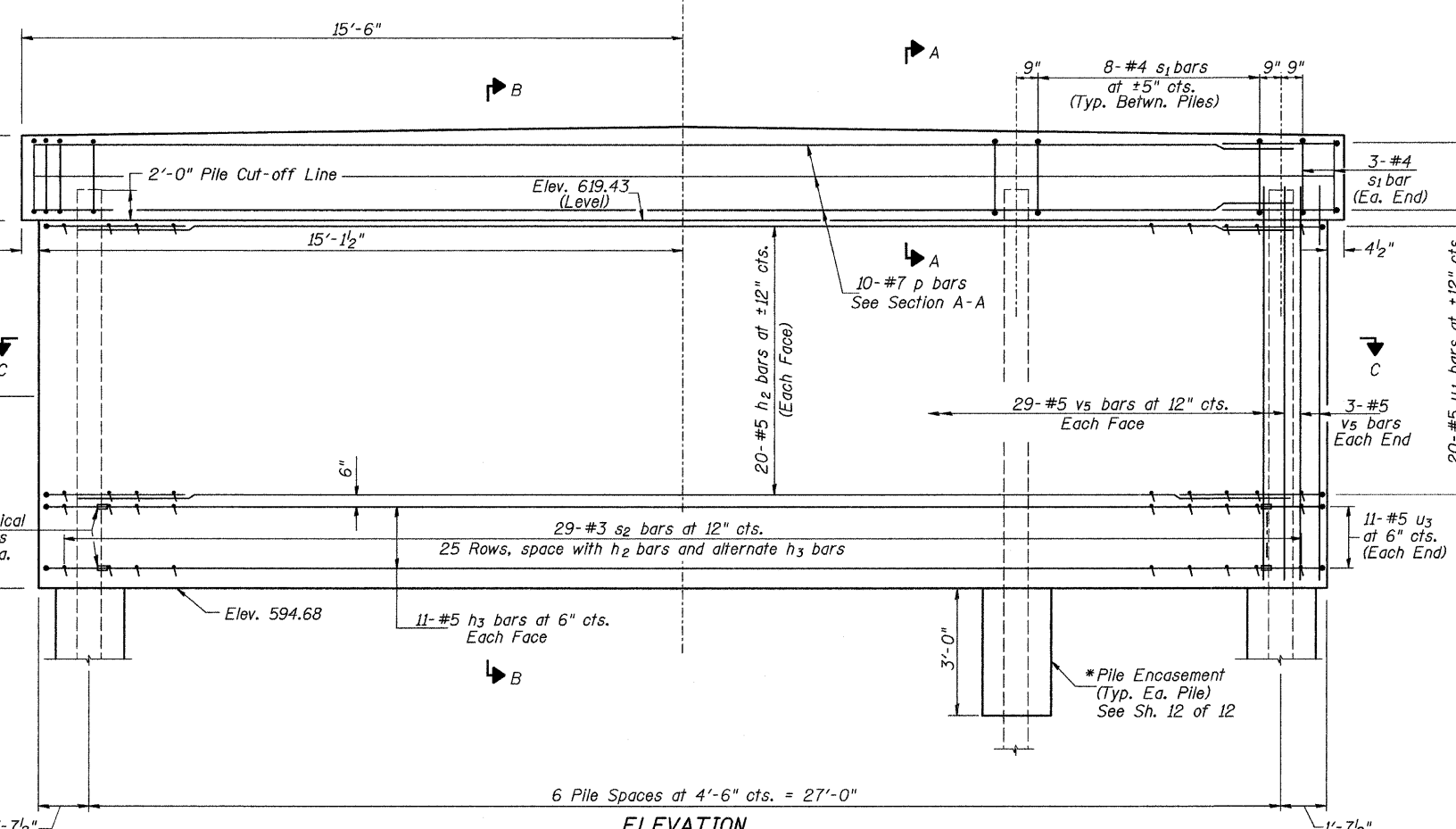
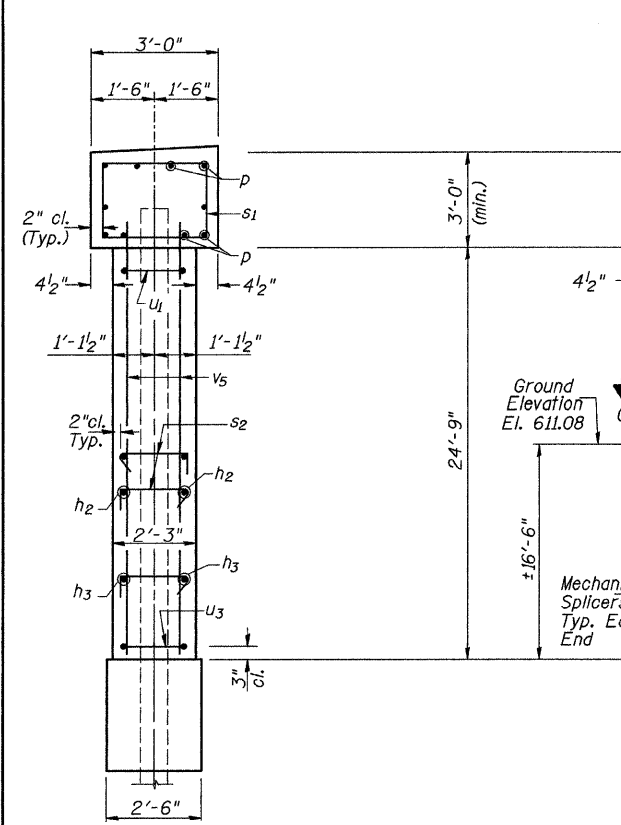
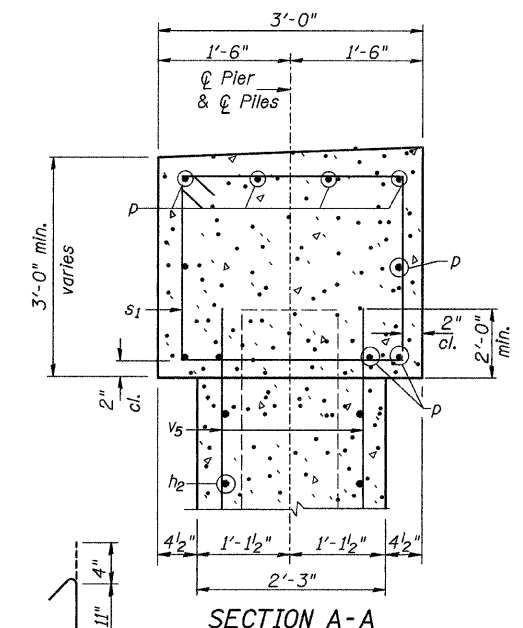
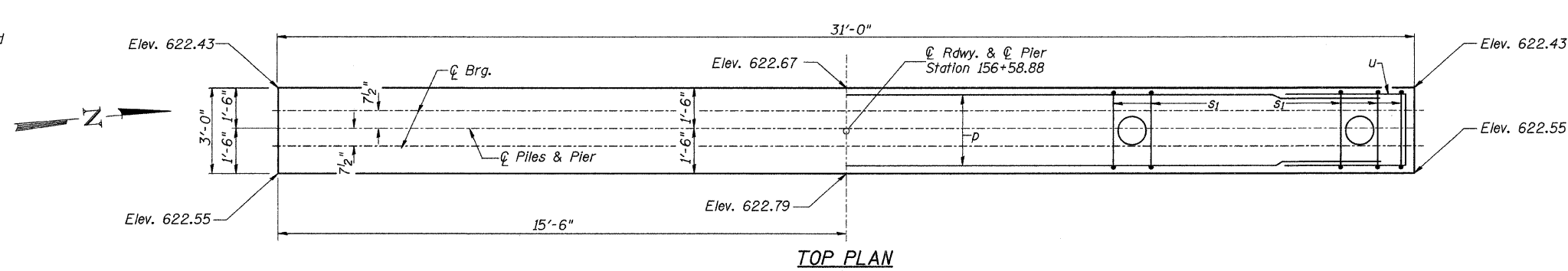


NOTES:
All edges shall be standard
3/4" chamfer



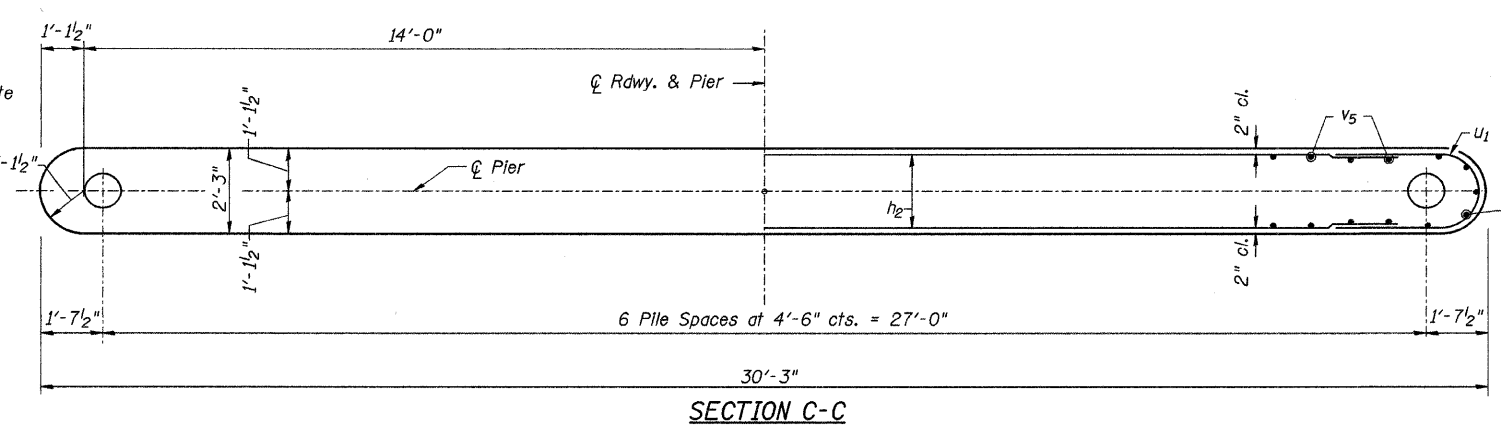
**PIER #2
BILL OF MATERIAL**

BAR	NO.	SIZE	LENGTH	SHAPE
h ₂	40	#5	28'-0"	—
h ₃	22	#5	25'-0"	—
p	10	#7	30'-9"	—
s ₁	54	#4	11'-5"	□
s ₂	725	#3	2'-11"	└┘
u	6	#6	11'-7"	┌┐
u ₁	40	#5	7'-0"	┌┐
u ₃	22	#5	6'-0"	┌┐
v ₅	64	#5	26'-7"	—
Concrete Structures		CU YD	65.0	
Reinforcement Bars		POUND	5,890	
Structure Excavation		CU YD	130	
Furnishing Metal Shell Piles 14"x0.312"		FOOT	552	
① Driving Piles		FOOT	552	
① Test Pile Metal Shells		EACH	1	
① Mechanical Splicers		EACH	44	
Concrete Encasement		CU YD	3.0	
Underwater Structure Excavation Protection - Location 2		EACH	1	

① See Special Provisions

*If a portion of the pier wall or concrete encasement is under water, reinforcement may be placed underwater in forms. Concrete shall be tremied according to Article 503.08 of the Standard Specifications to an elevation of 1'-0" above the water level at the time of construction.

PILE DATA
Type & Size: Metal Shell 14"x0.312"
Nominal Required Bearing: 400 kips
Factored Resistance Available: 200 kips
Est. Length: 92'
No. Req'd: 7 (Includes 1 Test Pile)



SHEET NO. 11 12 SHEETS	ROUTE NO. CH 28	SECTION 07-00099-00-BR	COUNTY MORGAN	TOTAL SHEETS 48	SHEET NO. 19
	S.N. 069-3267		CONTRACT NO. 93545		
FED. ROAD DIST. NO. 7 ILLINOIS			FED. AID PROJECT BRS-0609(109)		

**PIER #2
MORGAN COUNTY
SECTION 07-00099-00-BR
C.H. 28 OVER HENRY CREEK**