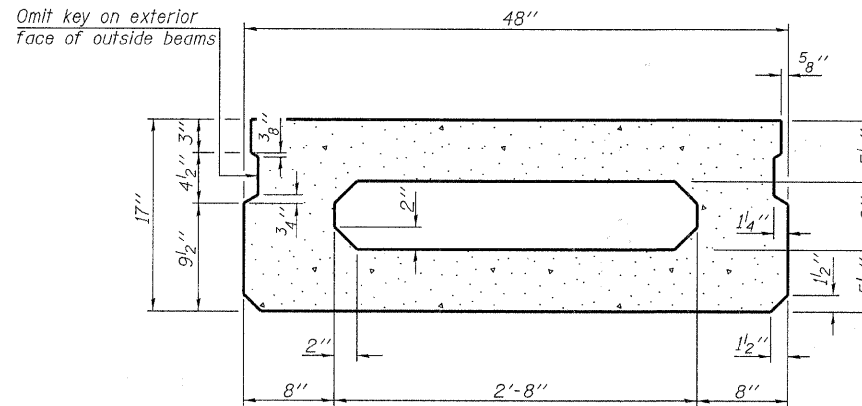
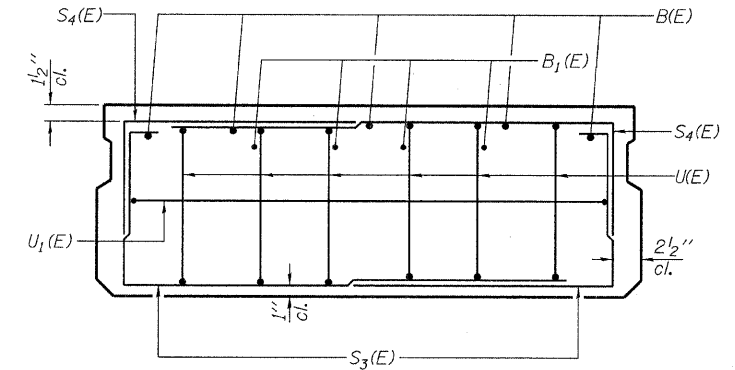


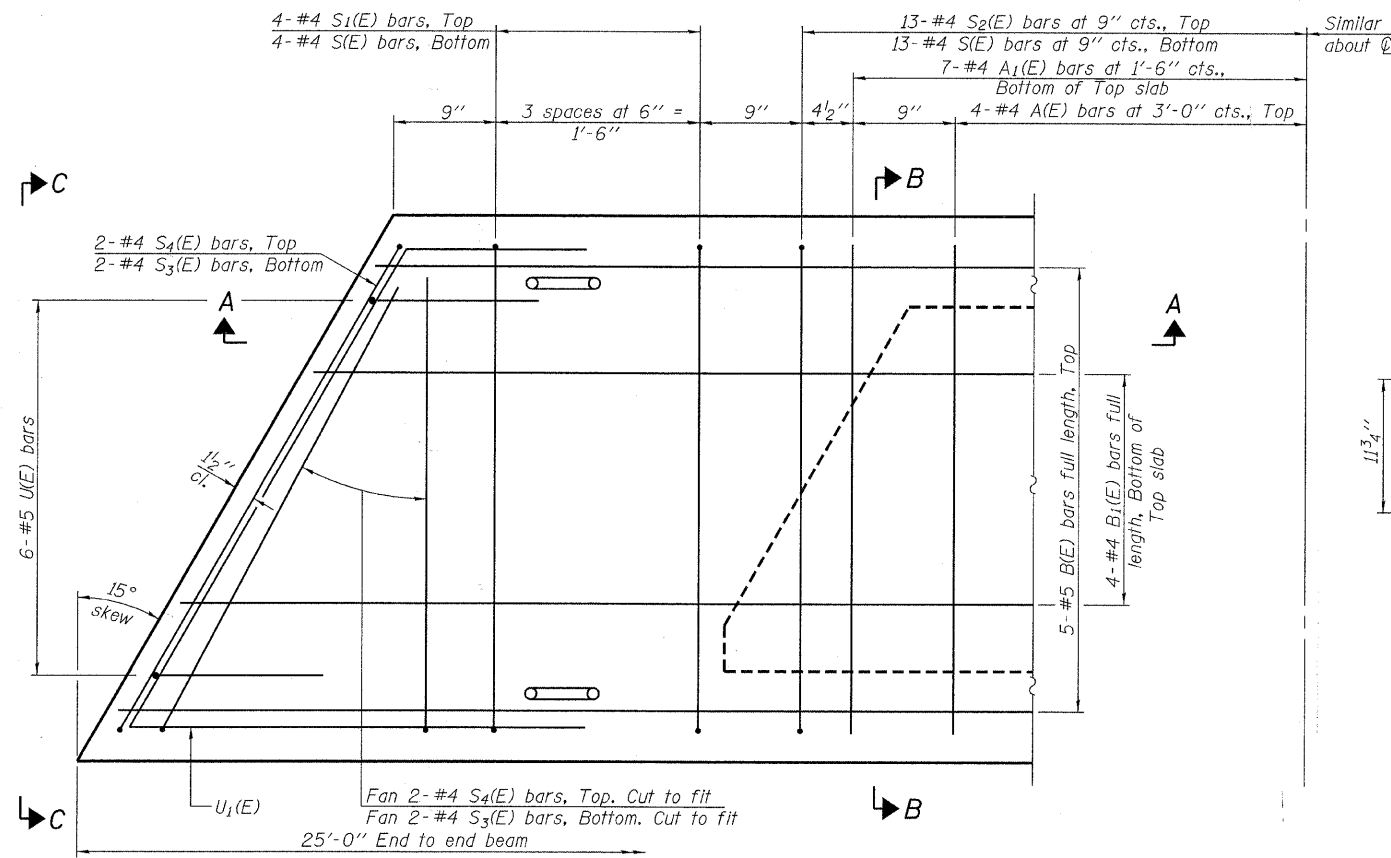
**SECTION A-A**



**SECTION B-B**  
(Showing dimensions)

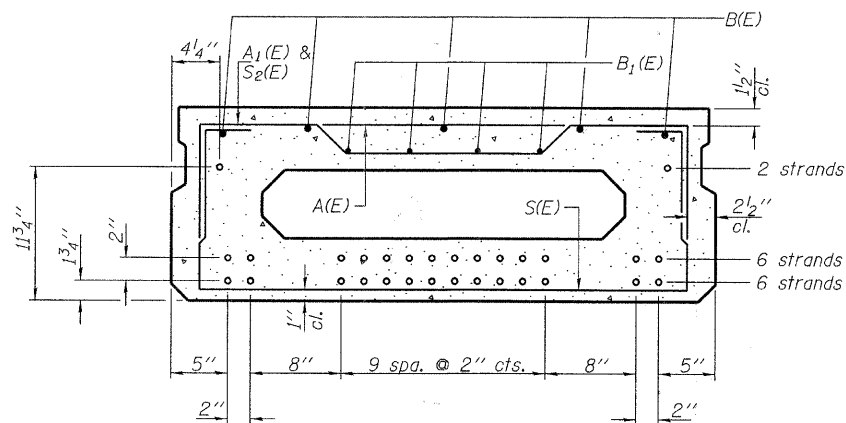


**VIEW C-C**



**PLAN VIEW**

Note: Spacing of S(E) and S<sub>2</sub>(E) bars may be adjusted up to 4" in the immediate area of the transverse tie diaphragms to miss the block outs for the transverse ties.



**SECTION B-B**

(Showing reinforcement and permissible strand locations)

Note: Place the number of strands specified in each row symmetrically about the centerline of beam in the permissible strand locations shown.

**BAR LIST**  
**ONE BEAM ONLY**  
(For information only)

Bar	No.	Size	Length	Shape
A(E)	8	#4	3'-7"	—
A <sub>1</sub> (E)	14	#4	3'-10"	—
B(E)	5	#5	24'-8"	—
B <sub>1</sub> (E)	4	#4	24'-8"	—
S(E)	34	#4	6'-9"	⌋
S <sub>1</sub> (E)	8	#4	5'-3"	⌋
S <sub>2</sub> (E)	26	#4	5'-6"	⌋
S <sub>3</sub> (E)	8	#4	4'-4"	⌋
S <sub>4</sub> (E)	8	#4	3'-7"	⌋
U(E)	12	#5	3'-8"	⌋
U <sub>1</sub> (E)	2	#4	7'-1"	⌋

Note: See sheets 3 thru 6 of 12 for additional details and Bill of Material.

**MINIMUM BAR LAP**

#4 bar = 2'-0"  
#5 bar = 2'-6"

PD-1748-L

7-1-10

FILE NAME =	USER NAME =	DESIGNED - V.J.H.	REVISED -
HAMPTON, LENZINI AND RENWICK, INC.		CHECKED - S.W.M.	REVISED -
5508 STEVENSON DRIVE, SUITE 201		DRAWN - D.A.B.	REVISED -
SPRINGFIELD, ILLINOIS 62703	PLOT SCALE =	CHECKED - D.T.M.	REVISED -
ILLINOIS PROFESSIONAL DESIGN FIRM	PLOT DATE = 2/10/2011		
LSI PROFESSIONAL CORP. 184-002965			

**STATE OF ILLINOIS**  
**CRAWFORD COUNTY HIGHWAY DEPARTMENT**

**17" x 48" PPC DECK BEAM**  
**STRUCTURE NO. 017-3058**

SHEET NO. 2 OF 12 SHEETS

C.H.	SECTION	COUNTY	TOTAL SHEETS	SHEET NO.
12	08-00091-00-BR	CRAWFORD	16	6
CONTRACT NO. 95649			ILLINOIS FED. AID PROJECT	