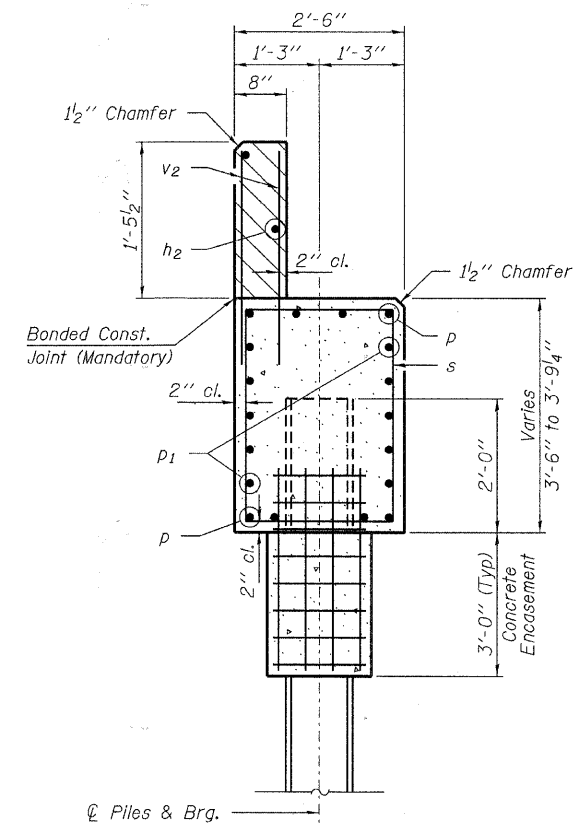
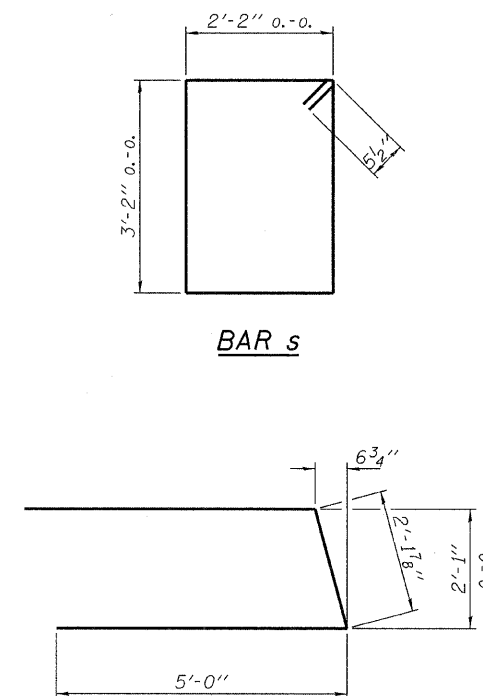


PLAN



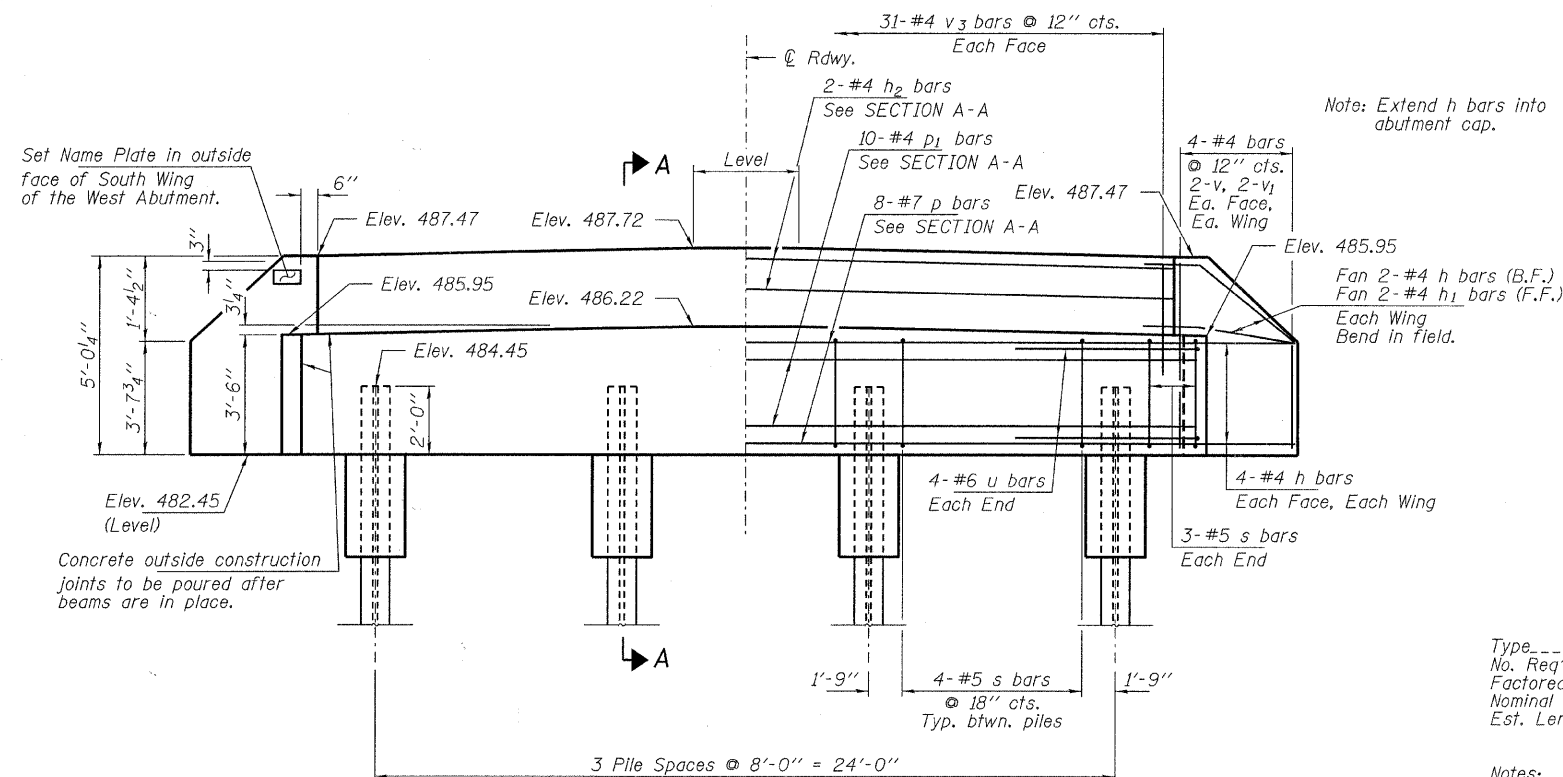
SECTION A-A

Hatched area to be poured after beams are in place.



BAR s

BAR u



ELEVATION

PILE DATA

Type ----- Steel HP10x42
 No. Req'd. (2 Abuts.) ----- 8
 Factored Resistance Available ----- 184 Kips/Pile
 Nominal Req'd Bearing ----- 335 Kips/Pile
 Est. Length ----- 40 Ft/Pile

Notes: * Includes one test pile to be driven in permanent location at the West Abutment.

The Steel H-Piles shall be according to AASHTO M270 Grade 50.

The test piles shall be driven to 110 percent of the Nominal Required Bearing indicated in the pile data information.

BILL OF MATERIAL - 2 ABUTS.

BAR	NO.	SIZE	LENGTH	SHAPE
h	40	#4	5'-0"	—
h1	8	#4	3'-6"	—
h2	4	#4	30'-3"	—
p	16	#7	30'-3"	—
p1	20	#4	30'-3"	—
s	36	#5	11'-7"	□
u	16	#6	12'-2"	U
v	16	#4	4'-6"	—
v1	16	#4	3'-6"	—
v2	124	#4	2'-4"	—
Concrete Structures			Cu. Yd.	25.0
Concrete Encasement			Cu. Yd.	2.8
Reinforcement Bars			Pound	2,630
Steel Piles HP10x42			Foot	280
Test Pile Steel HP10x42			Each	1
Name Plates			Each	1