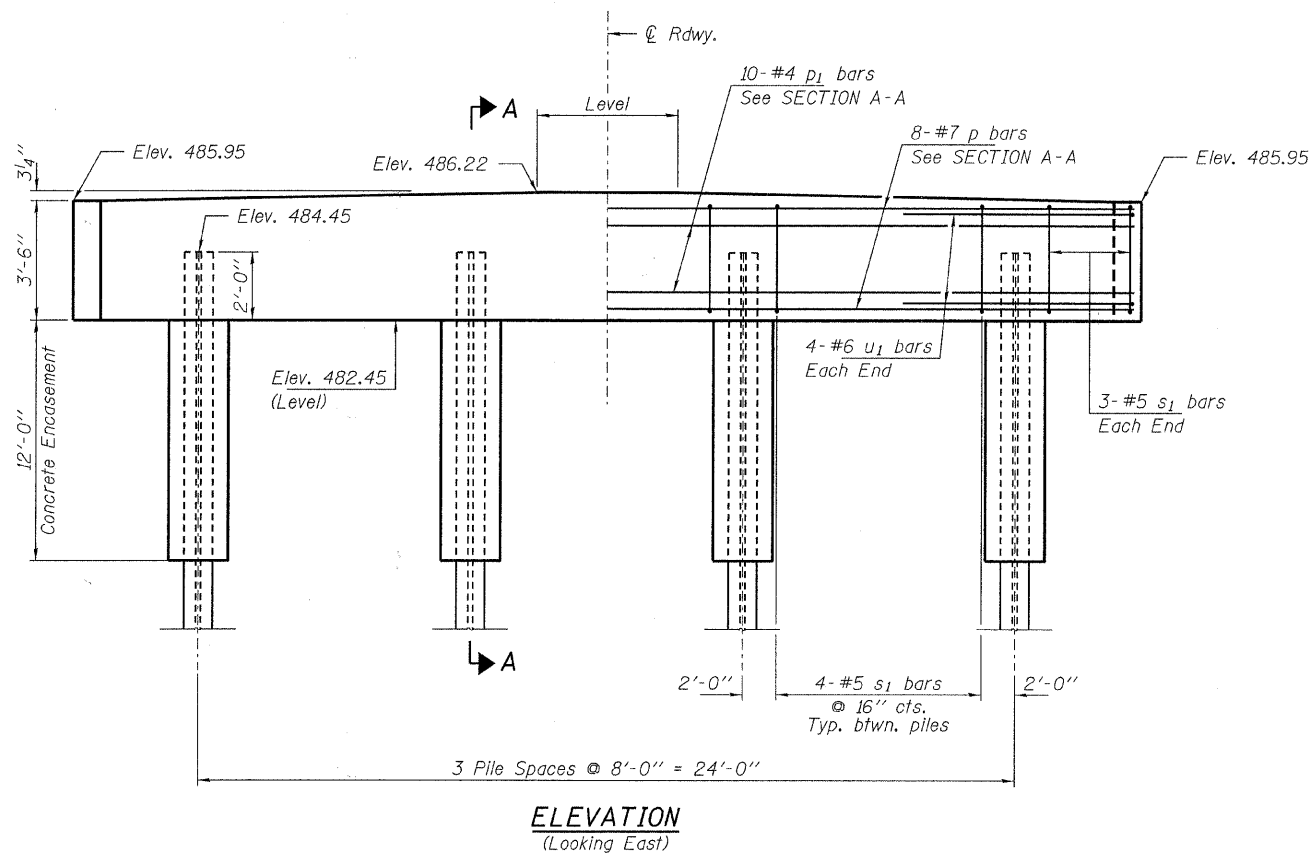
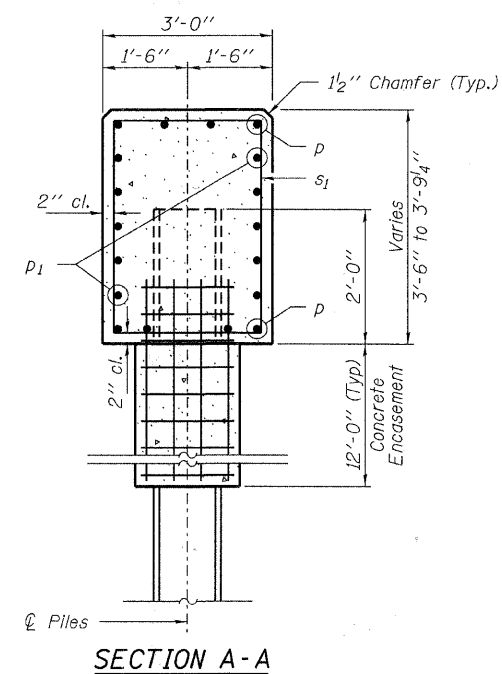


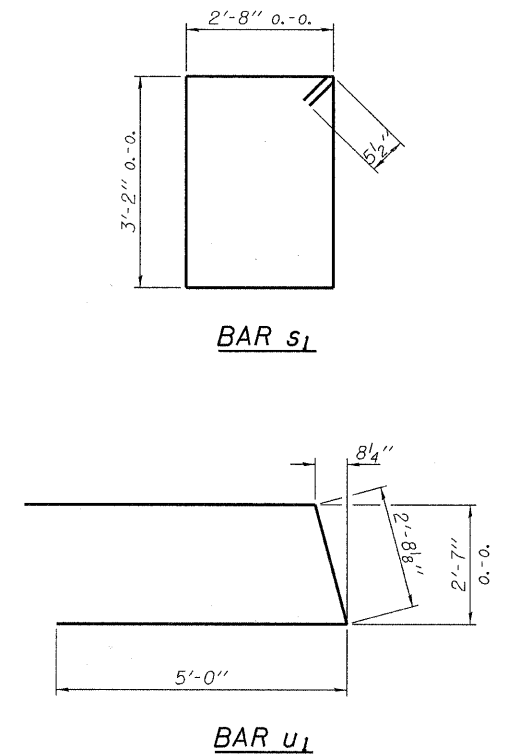
PLAN



ELEVATION
(Looking East)



SECTION A-A



PILE DATA

Type ----- Steel HPI0x42
 No. Req'd. (2 Piers) ----- 8
 Factored Resistance Available ----- 184 Kips/Pile
 Nominal Req'd Bearing ----- 335 Kips/Pile
 Est. Length ----- 40 Ft./Pile

Notes: * Includes one test pile to be driven in permanent location at Pier 2.

The Steel H-Piles shall be according to AASHTO M270 Grade 50.

The test piles shall be driven to 110 percent of the Nominal Required Bearing Indicated in the pile data information.

BILL OF MATERIAL - 2 PIERS

BAR	NO.	SIZE	LENGTH	SHAPE
p	16	#7	30'-3"	—
p1	20	#4	30'-3"	—
s1	36	#5	12'-7"	□
u1	16	#6	12'-9"	U
Concrete Structures			Cu. Yd.	24.8
Concrete Encasement			Cu. Yd.	10.8
Reinforcement Bars			Pound	2,170
Steel Piles HPI0x42			Foot	280
Test Pile Steel HPI0x42			Each	1

FILE NAME =	USER NAME =	DESIGNED - V.J.H.	REVISED -
HAMPTON, LENZINI AND RENWICK, INC.		CHECKED - S.W.M.	REVISED -
3035 STEVENSON DRIVE, SUITE 201		DRAWN - D.A.B.	REVISED -
SPRINGFIELD, ILLINOIS 62703		CHECKED - D.T.M.	REVISED -
ILLINOIS PROFESSIONAL DESIGN FIRM			
LSI, P.C. INC. CORP. 184-000999			
PLOT SCALE =	PLOT DATE = 2/10/2011		

STATE OF ILLINOIS
CRAWFORD COUNTY HIGHWAY DEPARTMENT

PIERS
STRUCTURE NO. 017-3058

C.H.	SECTION	COUNTY	TOTAL SHEETS	SHEET NO.
12	08-00091-00-BR	CRAWFORD	16	13
				CONTRACT NO. 95649
ILLINOIS FED. AID PROJECT				

SHEET NO. 9 OF 12 SHEETS