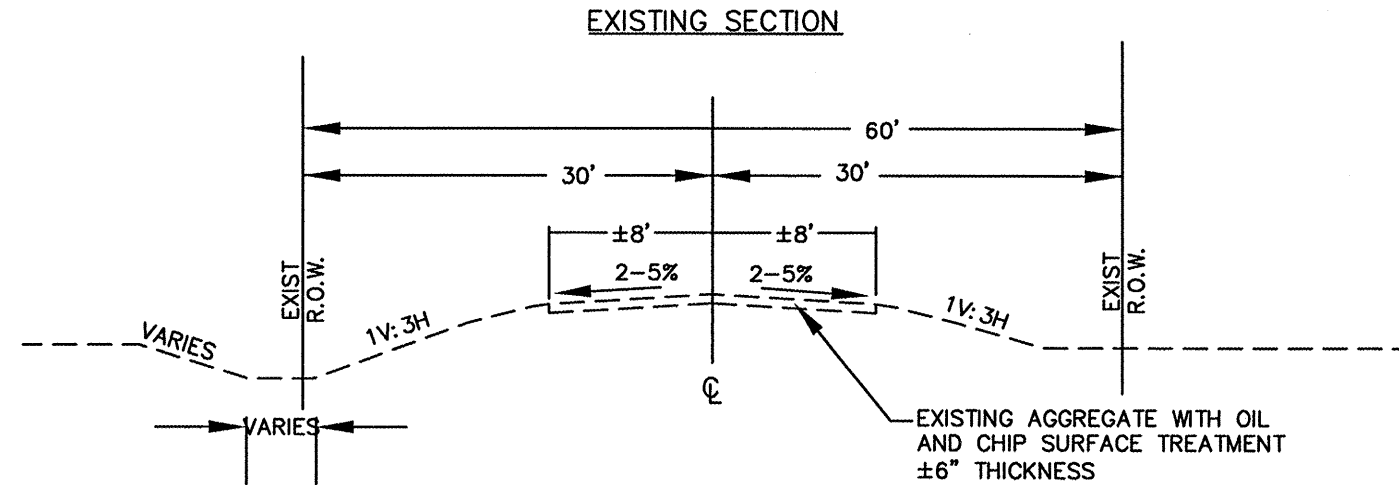


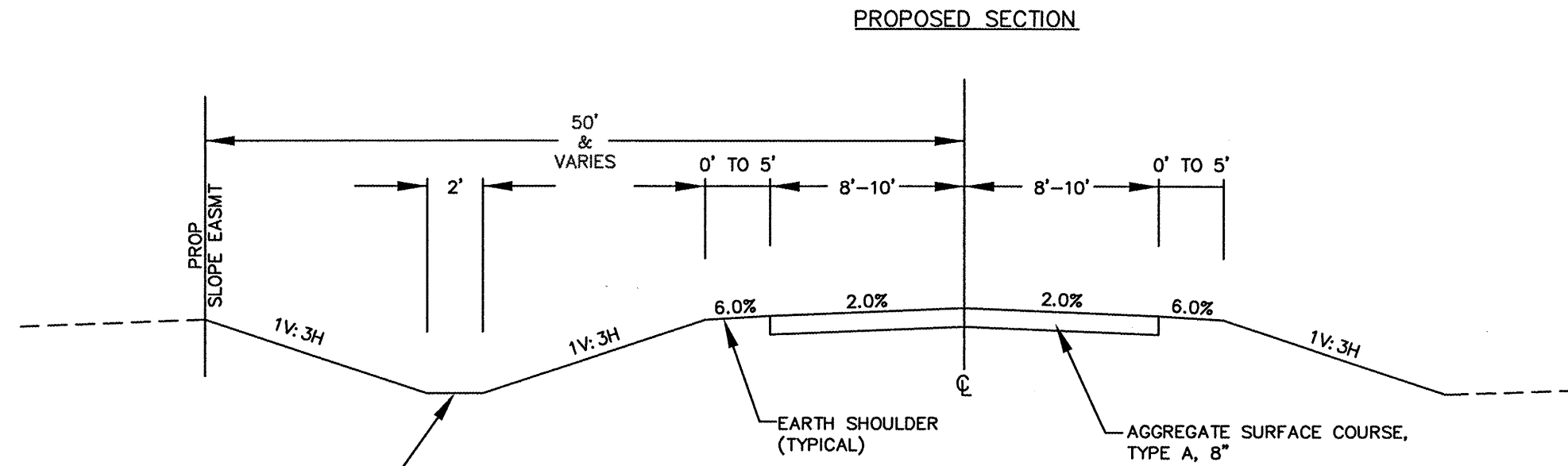
TYPICAL SECTIONS

ROUTE NO.	SECTION	COUNTY	TOTAL SHEETS	SHEET NO.
TR 305A	06-11114-00-BR	MADISON	25	3

CONTRACT NO. 97461



EXISTING TYPICAL SECTION
MICHAEL ROAD
STA. 22+00 TO STA. 26+00
(NOT TO SCALE)



WHERE APPLICABLE, SEE
CROSS-SECTIONS FOR DITCH
LOCATIONS

PROPOSED TYPICAL SECTION
MICHAEL ROAD
STA. 22+15.04 TO STA. 23+15.04
STA. 24+26.96 TO STA. 25+26.96
(NOT TO SCALE)