

ROUTE NO	SECTION	COUNTY	TOTAL SHEETS	SHEET NO.
FAS 1857 C.H. 6	08-00074 -00-RS	MONROE	8	5

FEDERAL AID PROJECT
CONTRACT 97462

MAINLINE SURFACING SUMMARY

LOCATION STATION - STATION	HOT-MIX ASPHALT SURFACE COURSE, MIX "D" N70	LEVELING BINDER MIX "C" N50	HOT-MIX ASPHALT SHOULDERS MIX "C" N50	HOT-MIX ASPHALT SURFACE REMOVAL, 2"	HOT-MIX ASPHALT SURFACE REMOVAL - BUTT JOINT	AGGREGATE SHOULDERS	BITUMINOUS MATERIALS (PRIME COAT)	AGGREGATE (PRIME COAT)	AREA REFLECTIVE CRACK CONTROL
UNIT	TON	TON	TON	SQ YD	SQ YD	TON	GAL	TON	SQ YD
STA. 100+18.37 TO STA. 119+18.37	330	198	--	--	100	144	470	23	12070
STA. 119+18.37 TO STA. 286+66.34	6860	3526	--	3005	490	2486	5397.3	270.23	--
STA. 286+66.34 TO STA. 324+66				OMISSION					
STA. 324+66 TO STA. 382+84	1015	606	--	--	195	440	1420	71	--
STA. 382+84 TO STA. 443+62	1040	625	1365	--	--	75	1485	74	--
STA. 443+62 TO STA. 656+00	3635	2180	--	--	--	1615	4640	232	11000
STA. 656+00 TO STA. 726+45	1930	965	--	--	195	715	1015	50	14180
PROJECT TOTALS	14810	8100	1365	3005	980	5475	14427.3	720.23	37,250

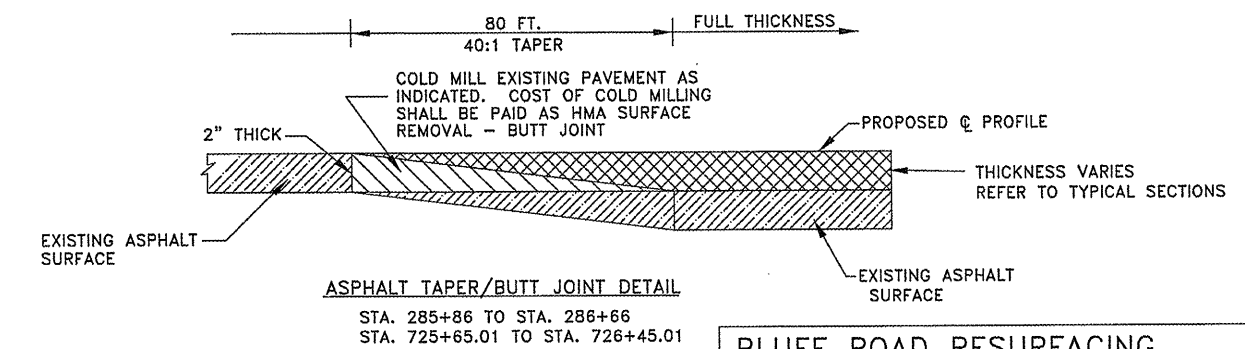
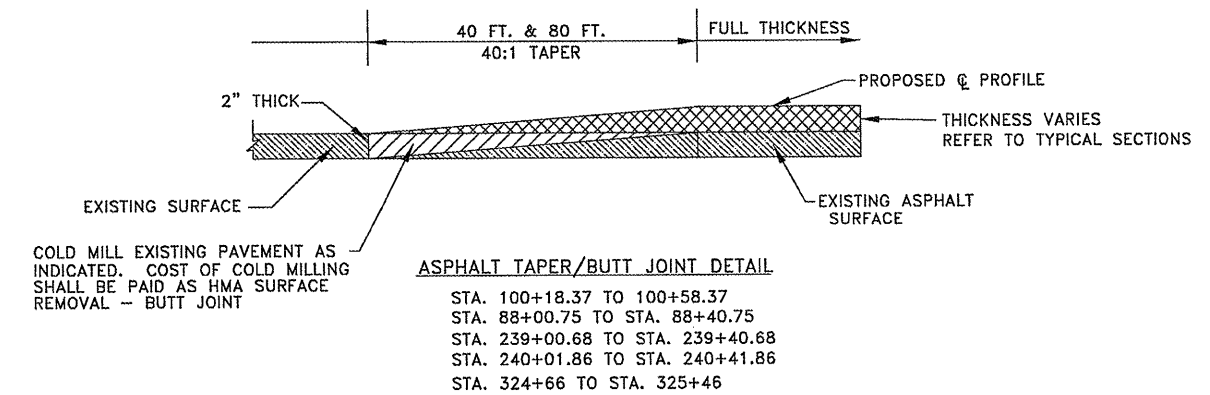
EARTHWORK SCHEDULE

LOCATION STATION - STATION	EARTH EXCAVATION
UNIT	CY
STA. 382+84 TO STA. 443+62	450
PROJECT TOTALS	

* EARTH EXCAVATION IS FOR THE REMOVAL OF THE EXISTING
AGGREGATE SHOULDER FOR PLACEMENT OF THE HMA SHOULDER.

GUARDRAIL SCHEDULE

LOCATION STATION	SIDE LT/RT	GUARDRAIL REMOVAL (FOOT)	STEEL PLATE BEAM GUARDRAIL, TYPE A (FOOT)	TRAFFIC BARRIER TERMINAL, TYPE 1 (SPECIAL) TANGENT (EACH)
384+00 TO 386+00	LEFT	87.5	87.5	2
TOTALS		87.5	87.5	2



HOT-MIX ASPHALT MIXTURE REQUIREMENTS

LOCATION(S)	ALL			
MIXTURE USE(S)	SURFACE	LEVELING BINDER	INCIDENTAL	SHOULDERS
AC/PG	PG 64-22	PG 64-22	PG 64-22	PG 64-22
RAP % (MAX)	10%	15%	15%	15%
DESIGN AIR VOIDS	4.0% @ Ndes=70	4.0% @ Ndes=50	4.0% @ Ndes=70	4.0% @ Ndes=50
MIXTURE COMPOSITION (GRADATION MIXTURE)	9.5			
FRICITION AGGREGATE	MIXTURE D	MIXTURE C	MIXTURE D	MIXTURE C

BLUFF ROAD RESURFACING
DETAILS AND SCHEDULES
SEC 08-00074-00-RS
MONROE COUNTY, ILLINOIS