

SCHEDULE OF QUANTITIES

RELOCATE
TEMPORARY CONCRETE BARRIER
STATION TO STATION FEET
634+13.5 635+88.5 175
TOTAL - 175

IMPACT ATTENUATORS, RELOCATE
(NON-REDIRECTIVE), TEST LEVEL 3 - 2 EACH

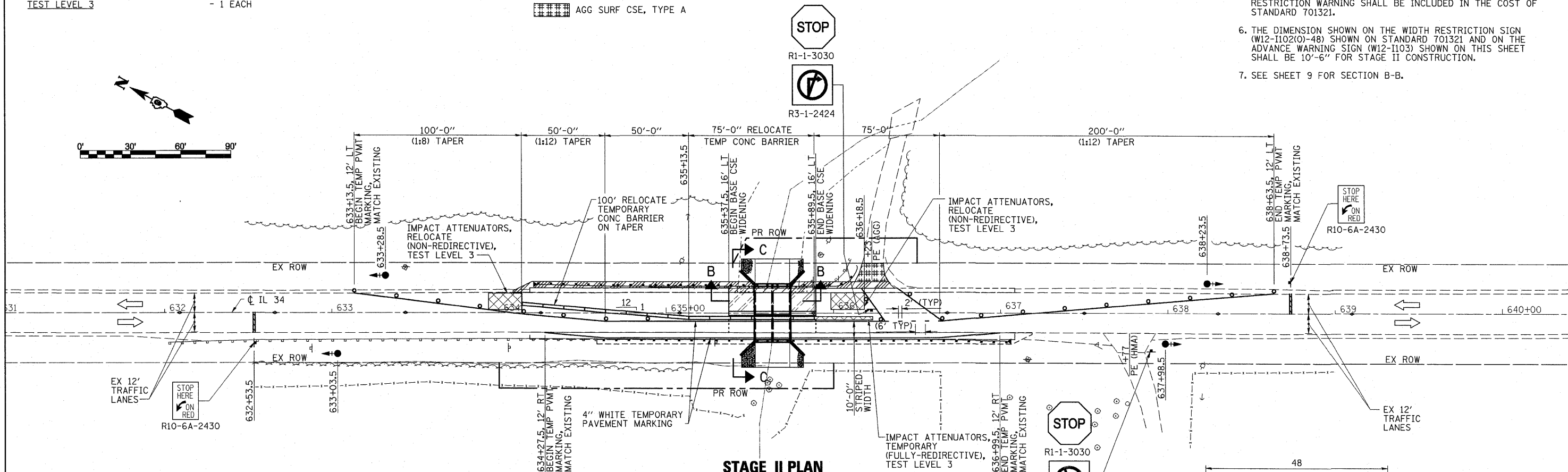
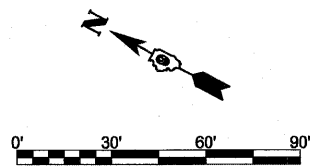
IMPACT ATTENUATORS, TEMPORARY
(FULLY-REDIRECTIVE, NARROW),
TEST LEVEL 3 - 1 EACH

LEGEND

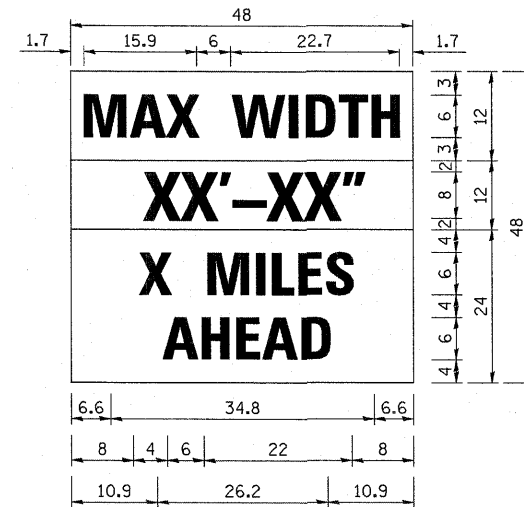
- TRAFFIC SIGNAL WITH BACKPLATE, SIGNAL DIRECTION INDICATED
- BASE COURSE WIDENING, 10"
- PAVEMENT REMOVAL
- HMA SHOULDER, 8"
- AGG SURF CSE, TYPE A

GENERAL NOTES

1. TRAFFIC CONTROL SHALL BE ERECTED AS SHOWN AND ACCORDING TO "TRAFFIC CONTROL AND PROTECTION, STANDARD 701321."
2. SEE SPECIAL PROVISIONS FOR ADDITIONAL TRAFFIC CONTROL REQUIREMENTS.
3. COORDINATE LOCATION OF SIGNALS WITH FINAL WORK AS DIRECTED BY THE ENGINEER.
4. CONSTRUCT TEMPORARY RUMBLE STRIPS AT LOCATIONS SHOWN ON STANDARD 701321.
5. ADDITIONAL SIGNAGE FOR ENTRANCES AND ADVANCE WIDTH RESTRICTION WARNING SHALL BE INCLUDED IN THE COST OF STANDARD 701321.
6. THE DIMENSION SHOWN ON THE WIDTH RESTRICTION SIGN (W12-I102(O)-48) SHOWN ON STANDARD 701321 AND ON THE ADVANCE WARNING SIGN (W12-I103) SHOWN ON THIS SHEET SHALL BE 10'-6" FOR STAGE II CONSTRUCTION.
7. SEE SHEET 9 FOR SECTION B-B.



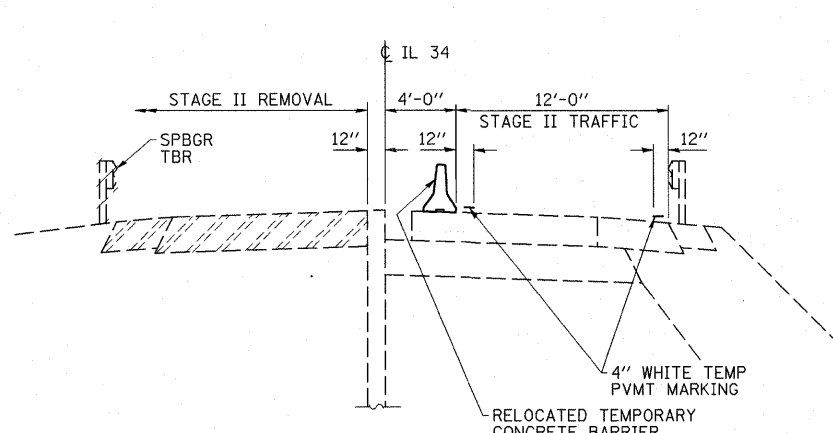
STAGE II PLAN



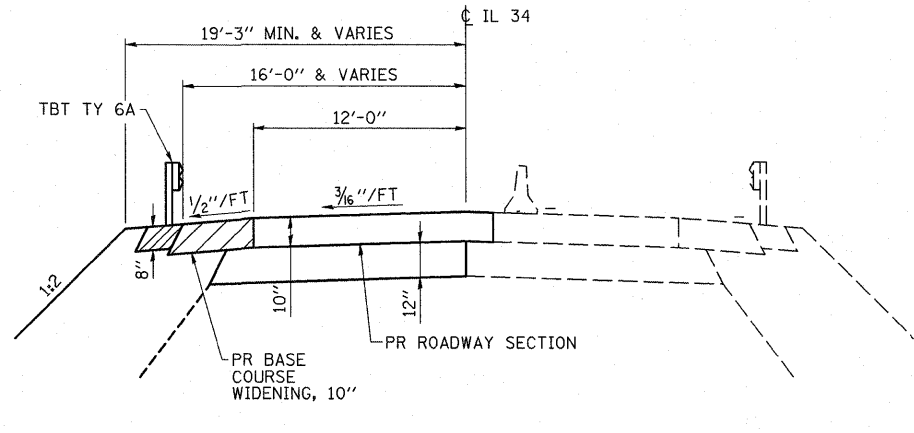
NOTE: THIS SIGN SHALL BE LOCATED AS DIRECTED BY THE ENGINEER. ONE SIGN SHALL BE PROVIDED FOR EACH APPROACH TO THE SITE.

W12-I103

W12-I103 (Width is 8D);
No border, Black on White;
"MAX WIDTH" D;
No border, Black on Orange;
"XX'-XX'" D;
No border, Black on White;
"X MILES" D; "AHEAD" D



**SECTION C-C
REMOVAL**



**SECTION C-C
CONSTRUCTION**

FILE NAME = D998854-sht-staging52.dgn	USER NAME = HAS	DESIGNED - DAJ	REVISED -	STATE OF ILLINOIS DEPARTMENT OF TRANSPORTATION	STAGE CONSTRUCTION PLAN AND DETAILS STRUCTURE NO. 076-2007		F.A.P. RTE. 778	SECTION 3B-2	COUNTY POPE	TOTAL SHEETS 50	SHEET NO. 10	
PLOT SCALE = 0.8833' / IN.	CHECKED - MTD	REVISOR -	REVISOR -		SCALE: 1"=30'-0"	SHEET NO. 2 OF 4 SHEETS	STA. 631+00	TO STA. 640+50	CONTRACT NO. 98854			
PLOT DATE = 12/29/2010 7:49:37 AM	DATE - 12/10	REVISOR -	REVISOR -		FED. ROAD DIST. NO. ILLINOIS FED. AID PROJECT							