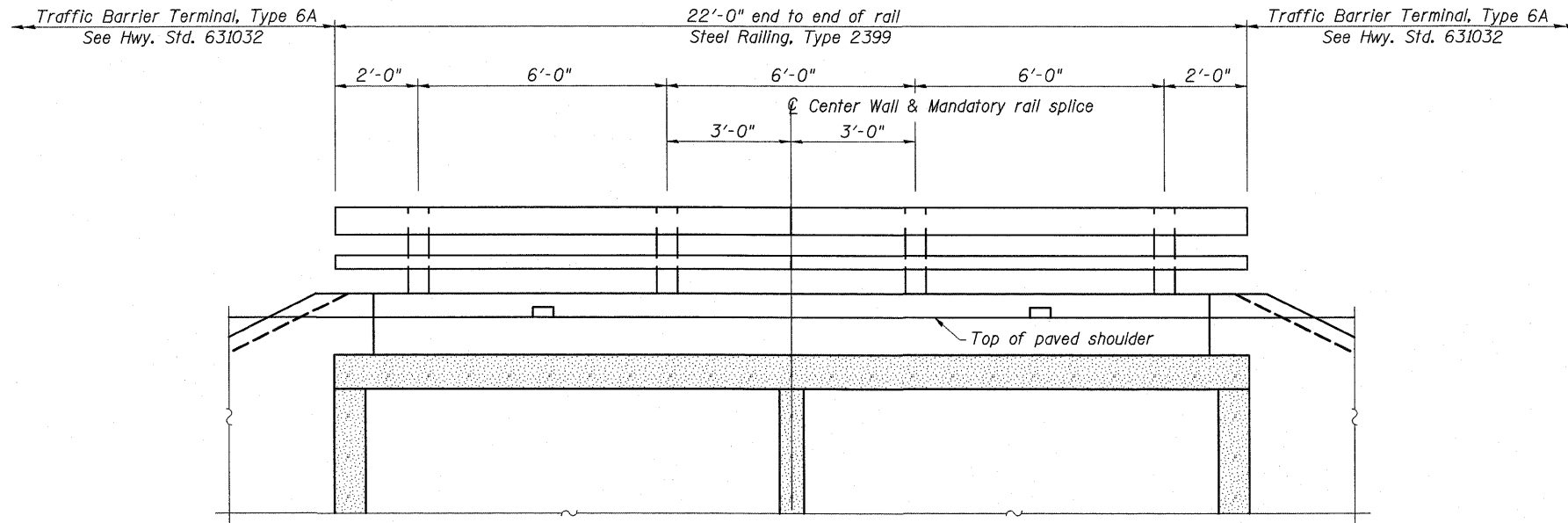


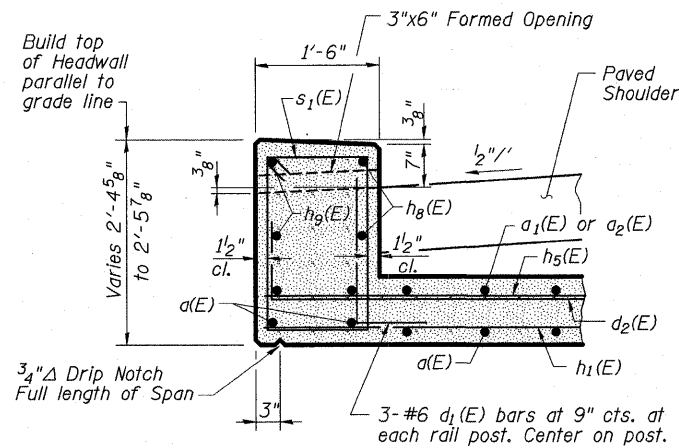
BILL OF MATERIAL

Bar	No.	Size	Length	Shape
a(E)	94	#7	23'-1"	
a1(E)	46	#7	10'-0"	
a2(E)	50	#7	21'-5"	
d(E)	42	#4	4'-5"	
d1(E)	24	#6	2'-11"	
d2(E)	40	#6	7'-6"	
h(E)	29	#6	16'-0"	
h1(E)	29	#6	18'-2"	
h2(E)	59	#5	16'-2"	
h3(E)	59	#5	18'-2"	
h4(E)	22	#4	16'-2"	
h5(E)	22	#4	18'-2"	
h6(E)	48	#7	8'-0"	
h7(E)	44	#7	14'-10"	
h8(E)	4	#6	20'-2"	
h9(E)	4	#6	22'-4"	
h10(E)	10	#6	21'-9"	
s(E)	21	#4	7'-1"	
s1(E)	21	#4	7'-5"	
v(E)	124	#5	7'-5"	
v1(E)	16	#4	11'-0"	
Concrete Box Culverts	Cu. Yd.	84.7		
Reinforcement Bars, Epoxy Coated	Pound	16,340		

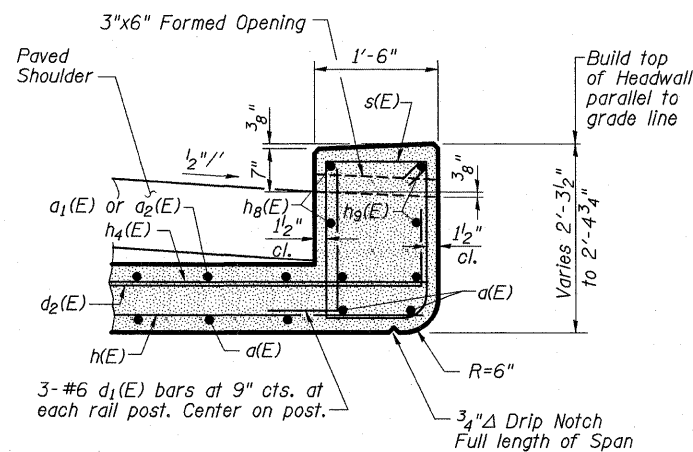


INSIDE ELEVATION OF RAILING

Note:
See sheet 5 of 7 for railing details.

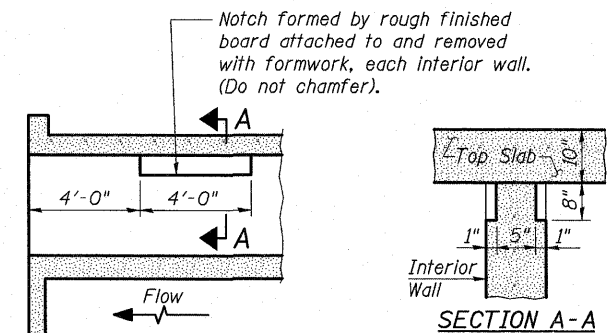


AT DOWNSTREAM END



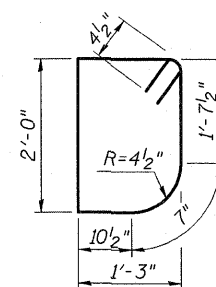
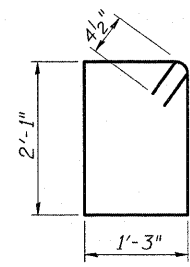
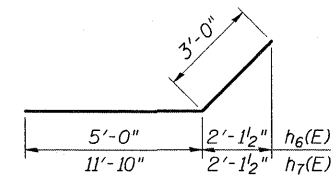
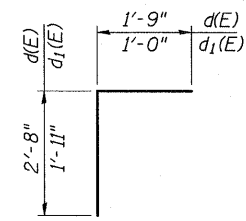
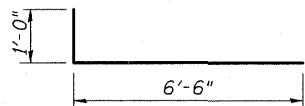
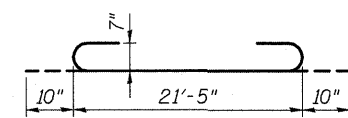
AT UPSTREAM END

HEADWALL DETAILS



LONGITUDINAL SECTION

PHOEBE NESTING
SITE DETAILS
(Downstream End Only)



(Sheet 2 of 2)

FILE NAME = 0762007-98854-04-BoxC1v01.dgn	USER NAME = HAS	DESIGNED - MTD 06/10	REVISED -	STATE OF ILLINOIS DEPARTMENT OF TRANSPORTATION	BOX CULVERT DETAILS STRUCTURE NO. 076-2007	F.A.P. RTE. 778	SECTION 3B-2	COUNTY POPE	TOTAL SHEETS 50	SHEET NO. 24
PLOT SCALE = 0:1 1/2" / IN.	DRAWN - DWH 07/10	CHECKED - MJW 09/10	REVISED -			CONTRACT NO. 98854				
PLOT DATE = 12/27/2010 10:14:41 AM	CHECKED - MTD 12/10	DRAWN - DWH 07/10	REVISED -			ILLINOIS FED. AID PROJECT AID				
SHEET NO. 4 OF 7 SHEETS										