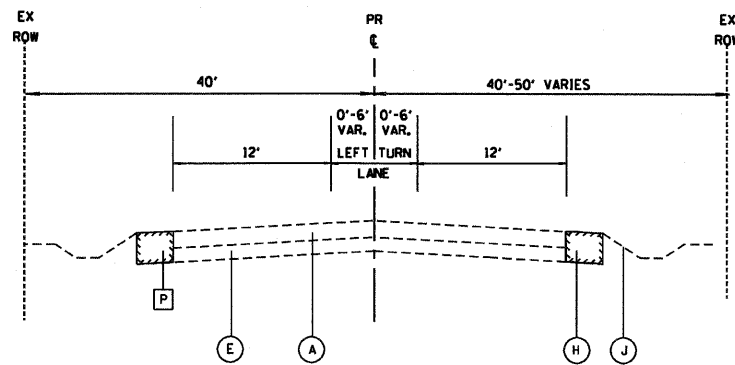
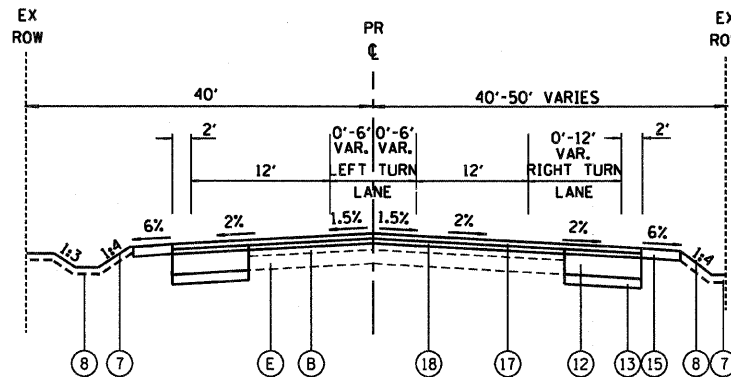


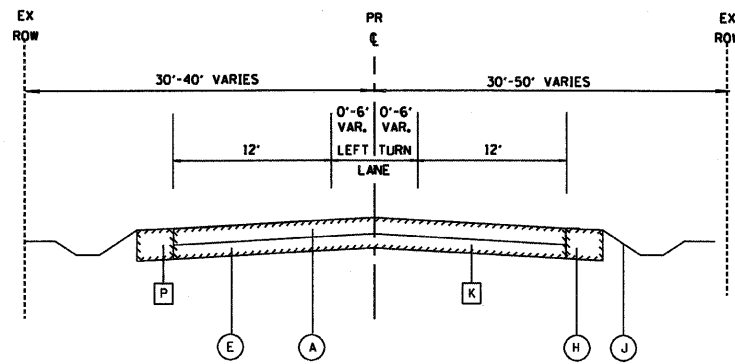
RTE.	SECTION	COUNTY	TOTAL SHEETS	SHEET NO.
344	(46-15&47)WRS-2	LAKE	234	13
STA.		TO STA.		
FED. ROAD DIST. NO. 7		ILLINOIS	FED. AID PROJECT	



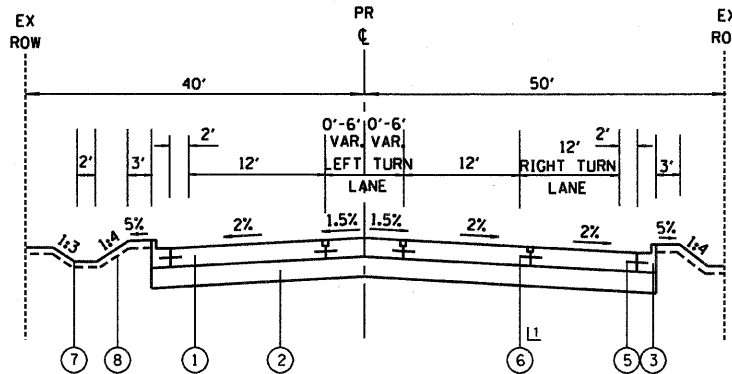
EXISTING TYPICAL SECTION
CENTER STREET
STATION 13+41 TO STATION 17+91



PROPOSED TYPICAL SECTION
CENTER STREET
STATION 13+41 TO STATION 17+91

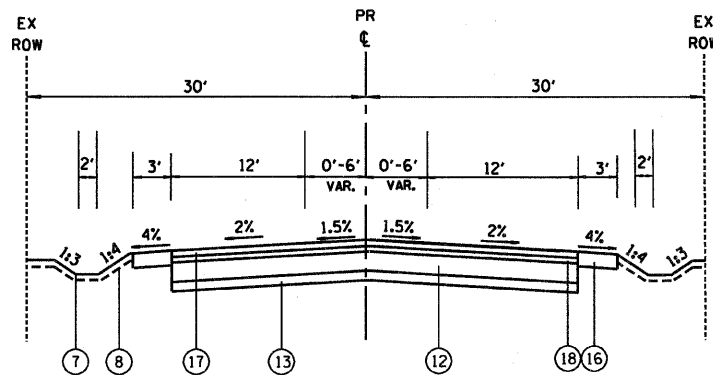


EXISTING TYPICAL SECTION
CENTER STREET
STATION 17+91 TO STATION 19+00
DEERPETH ROAD
STATION 21+00 TO STATION 25+46



PROPOSED TYPICAL SECTION
CENTER STREET
STATION 17+91 TO STATION 19+00

L AT THE CONTRACTORS OPTION A LONGITUDINAL SAWED JOINT (19) MAY BE USED



PROPOSED TYPICAL SECTION
DEERPETH ROAD
STATION 21+00 TO STATION 25+46

- PROPOSED LEGEND**
- 1 PORTLAND CEMENT CONCRETE PAVEMENT 9 3/4" (JOINTED)
 - 2 AGGREGATE SUBGRADE 12"
 - 3 COMBINATION CONCRETE CURB & GUTTER, TYPE B-6.24
 - 4 CONCRETE MEDIAN, TYPE SB-6.24 (MODIFIED) (SEE DETAIL SHEETS NO. 91 AND 92)
 - 5 NO. 6 x 24" TIE BARS GROUTED IN PLACE (EPOXY COATED) AT 24" O.C. INCLUDED IN COST OF COMBINATION CONCRETE CURB & GUTTER OF THE TYPE SPECIFIED
 - 6 LONGITUDINAL CONSTRUCTION JOINT GROUTED-IN-PLACE TIE BAR NO. 8 x 24" LONG DEFORMED TIE BARS (EPOXY COATED) AT 24" O.C. (INCLUDED IN THE COST OF PORTLAND CEMENT CONCRETE PAVEMENT 9 3/4" (JOINTED))
 - 7 SODDING, SALT TOLERANT OR SEEDING AS NOTED ON PLANS
 - 8 FURNISHING AND PLACING TOPSOIL, 4"
 - 9 FURNISHING AND PLACING TOP SOIL, 24" (FOR LANDSCAPE MEDIAN DETAILS, SEE SHEET NO. 92)
 - 10 POLYMERIZED HOT-MIX ASPHALT SURFACE COURSE, MIX F, N90, 2"
 - 11 POLYMERIZED HOT-MIX ASPHALT BINDER COURSE, IL-19.0, N90, 1 1/4" (IN 5 LIFTS)
 - 12 HOT-MIX ASPHALT BASE COURSE, 9 3/4" (IN 5 LIFTS)
 - 13 SUB-BASE GRANULAR MATERIAL, TYPE B, 4"
 - 14 LONGITUDINAL SAWED JOINT - NO. 6 x 30" LONG DEFORMED TIE BARS (EPOXY COATED) AT 30" O.C. (STANDARD 420001) (INCLUDED IN THE COST CONCRETE PAVEMENT)
 - 15 AGGREGATE SHOULDERS, TYPE A 8"
 - 16 HOT-MIX ASPHALT SHOULDERS 8" (IN 2 LIFTS)
 - 17 HOT-MIX ASPHALT SURFACE COURSE, MIX D, N70, 2"
 - 18 HOT-MIX ASPHALT BINDER COURSE, IL-19.0, N70, 2 1/4"
 - 19 COMBINATION CONCRETE CURB & GUTTER, TY B-6.24 (SPECIAL) (SEE DETAIL)

- EXISTING LEGEND**
- A HOT-MIX ASPHALT BINDER & SURFACE COURSES, 3"-7"
 - B HOT-MIX ASPHALT SURFACE TO REMAIN, (6" & VARIES)
 - C PORTLAND CEMENT CONCRETE PAVEMENT, 9"-7"-9"
 - D HOT-MIX ASPHALT BASE COURSE, 9"-10"
 - E AGGREGATE OR HMA BASE (10")
 - F SUB-BASE GRANULAR MATERIAL, TYPE B 4"
 - G COMBINATION CONCRETE CURB & GUTTER, TYPE B-6.24
 - H HOT-MIX ASPHALT SHOULDER, 8" & VARIES
 - I AGGREGATE SHOULDER 6"-8" & VARIES
 - J GROUND SURFACE
 - K PAVEMENT REMOVAL
 - L NOT USED
 - M NOT USED
 - N NOT USED
 - P PAVED SHOULDER REMOVAL
 - Q COMBINATION CONCRETE CURB & GUTTER REMOVAL
 - R EARTH EXCAVATION

REVISIONS	
NAME	DATE

ILLINOIS DEPARTMENT OF TRANSPORTATION

TYPICAL SECTIONS

CENTER STREET/DEERPETH ROAD

DATE: 12/14/09
DRAWN BY: MJL
CHECKED BY: TSB

SCALE - NONE