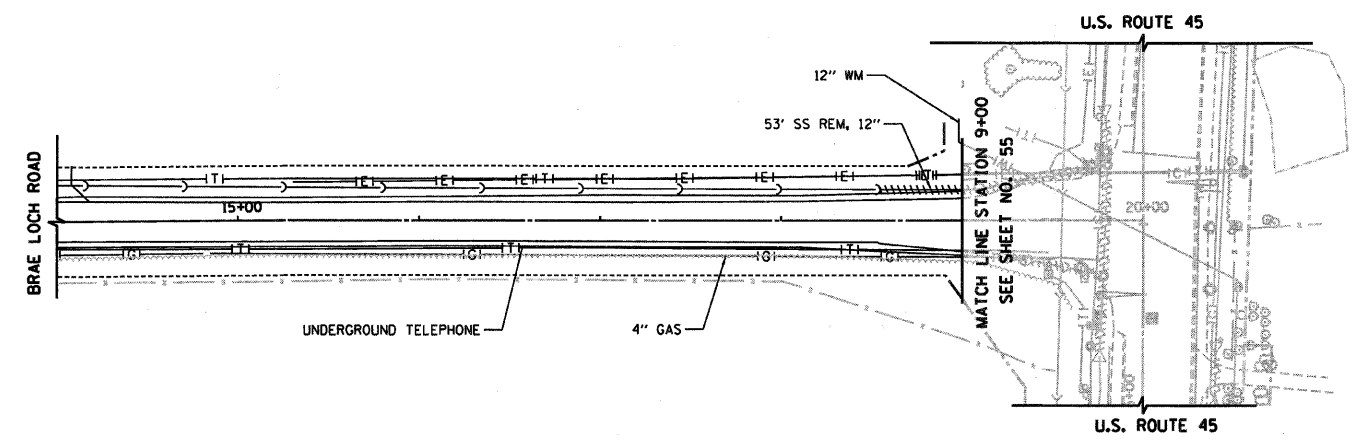
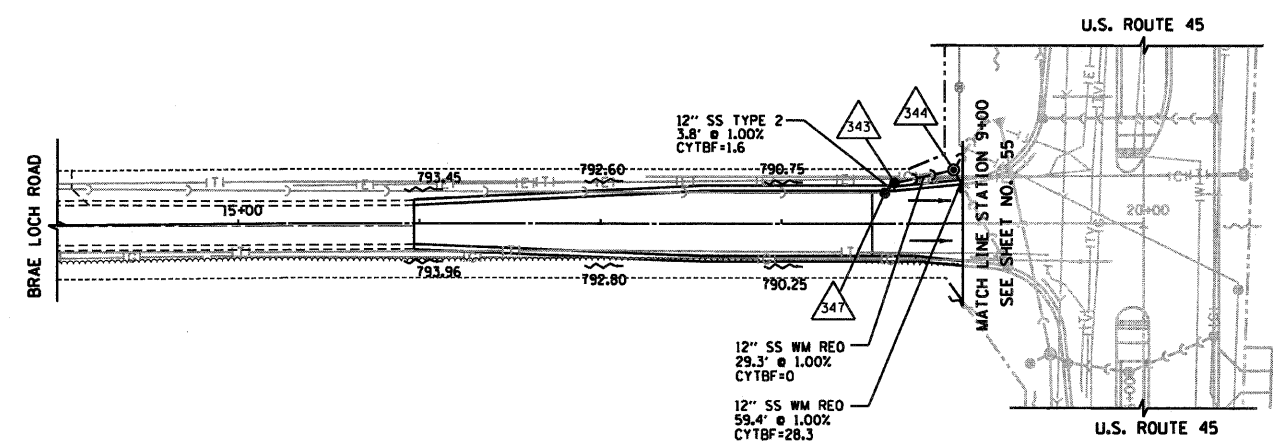


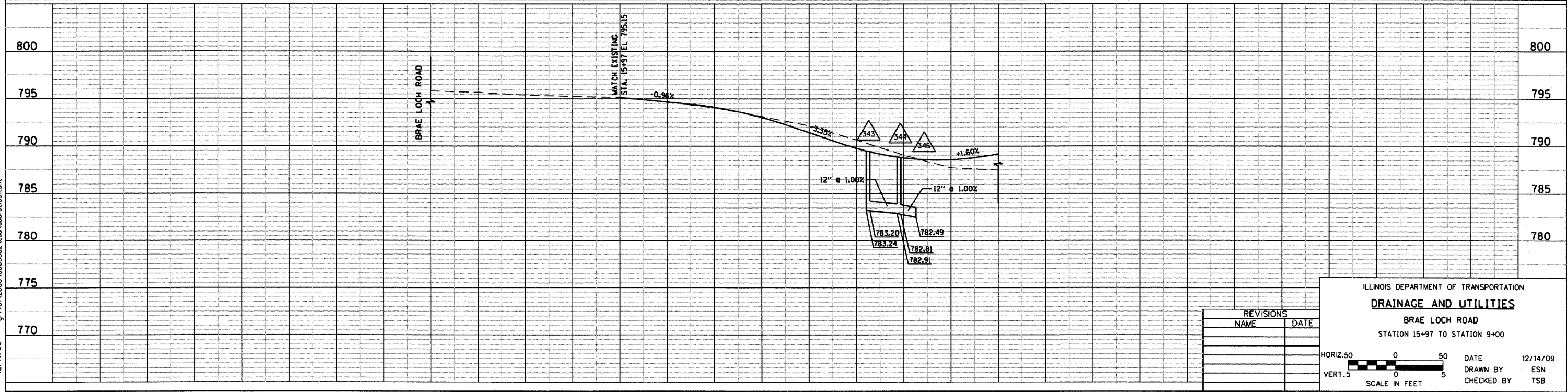
RTE	SECTION	COUNTY	TOTAL SHEETS	SHEET NO
344	(46-15&47)WRS-2	LAKE	234	61
STA	5-97	TO STA	9-00	
FED. ROAD DIST. NO. 7		ILLINOIS FED. AID PROJECT		
CONTRACT NO. 60956				



EXISTING BRAE LOCH ROAD



PROPOSED BRAE LOCH ROAD



REVISIONS	
NAME	DATE

ILLINOIS DEPARTMENT OF TRANSPORTATION
DRAINAGE AND UTILITIES
 BRAE LOCH ROAD
 STATION 15+97 TO STATION 9+00

HORIZ. 50 0 50
 VERT. 5 0 5
 SCALE IN FEET

DATE 12/14/09
 DRAWN BY ESN
 CHECKED BY TSB



12/14/09 - g:\401\2000\0005\302\cad\kbr\braeloch.sm