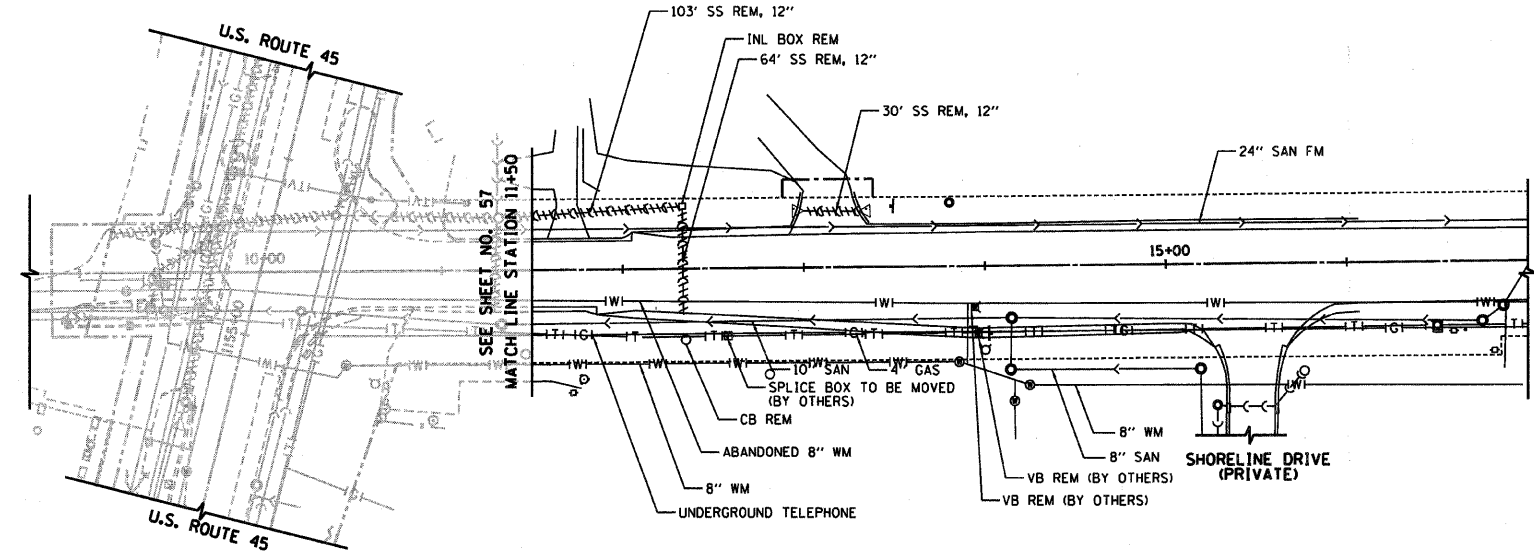
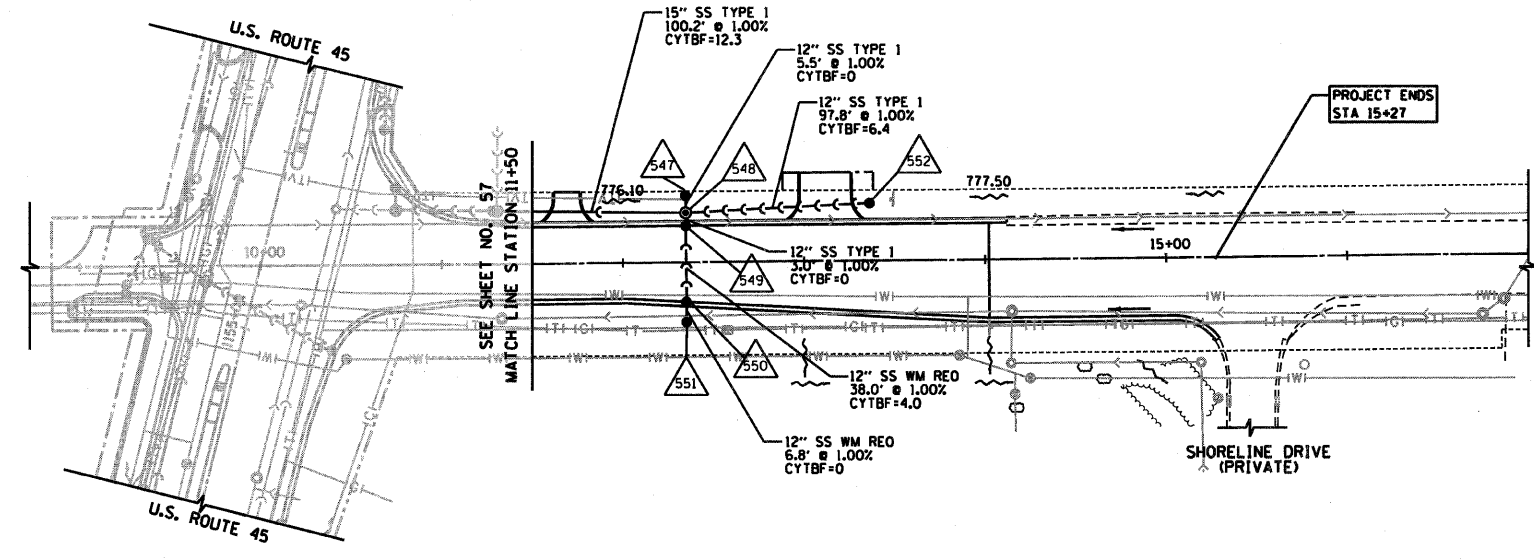


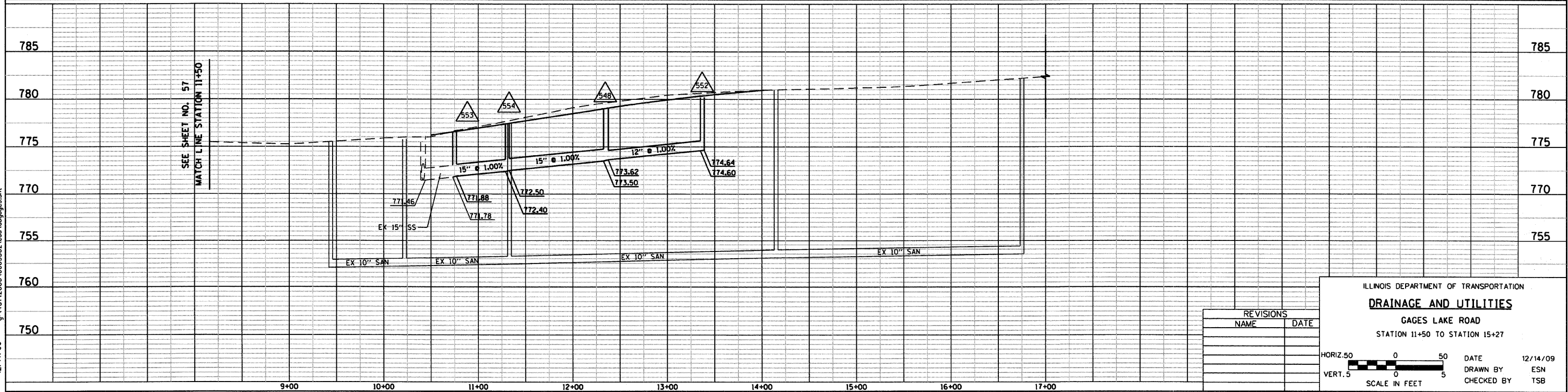
RTE	SECTION	COUNTY	TOTAL SHEETS	SHEET NO
344	(46-1S&47)WRS-2	LAKE	234	62
STA.	11+50	TO STA.	15+27	
FED. ROAD DIST. NO. 7		ILLINOIS	FED. AID PROJECT	
CONTRACT NO. 60956				



EXISTING GAGES LAKE ROAD



PROPOSED GAGES LAKE ROAD



REVISIONS	
NAME	DATE

ILLINOIS DEPARTMENT OF TRANSPORTATION
DRAINAGE AND UTILITIES
 GAGES LAKE ROAD
 STATION 11+50 TO STATION 15+27

HORIZ. 50 0 50
 VERT. 5 0 5
 SCALE IN FEET

DATE 12/14/09
 DRAWN BY ESN
 CHECKED BY TSB



12/14/09 - g:\401\2000\0005302\cad\gaggs.sht