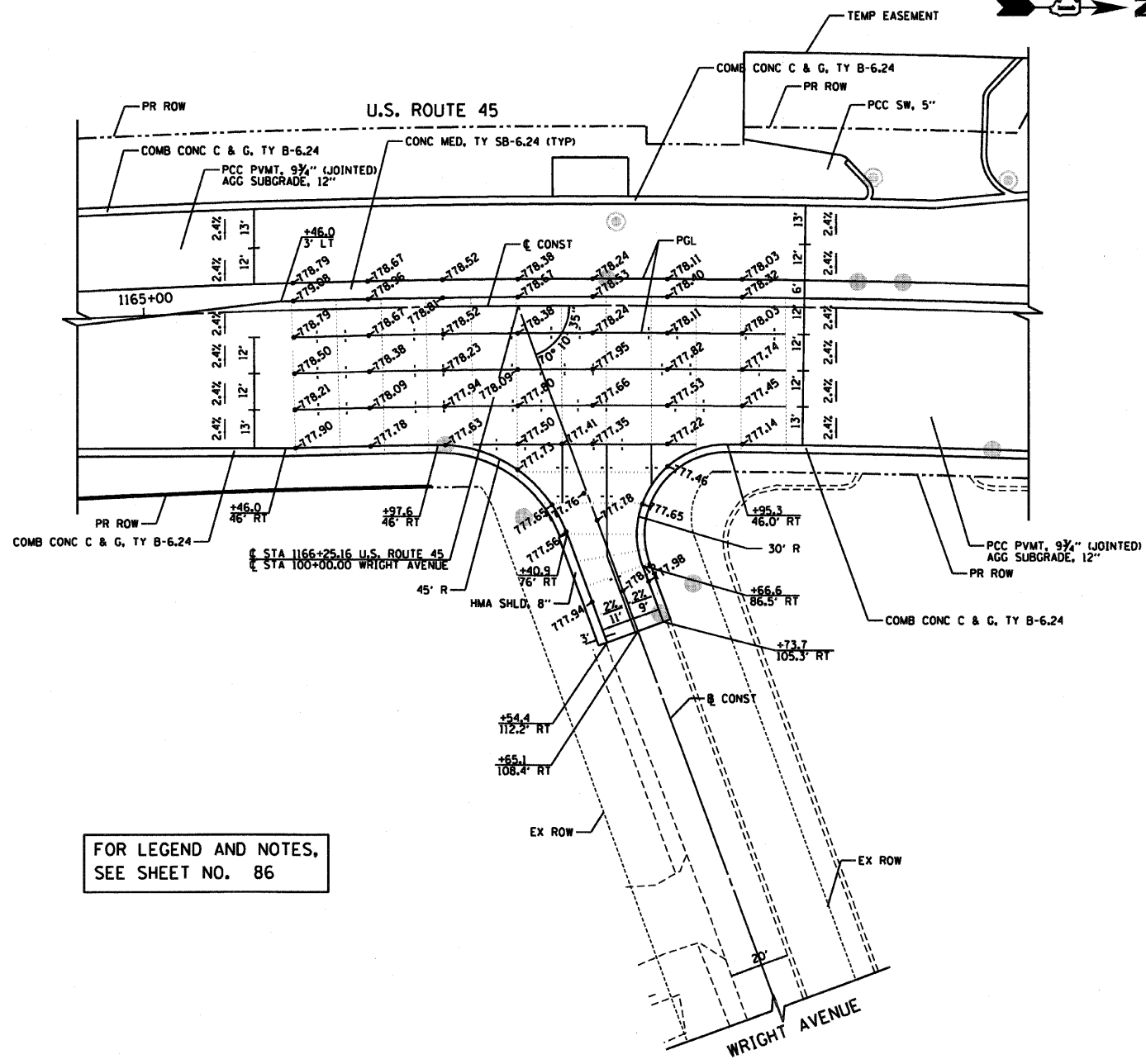
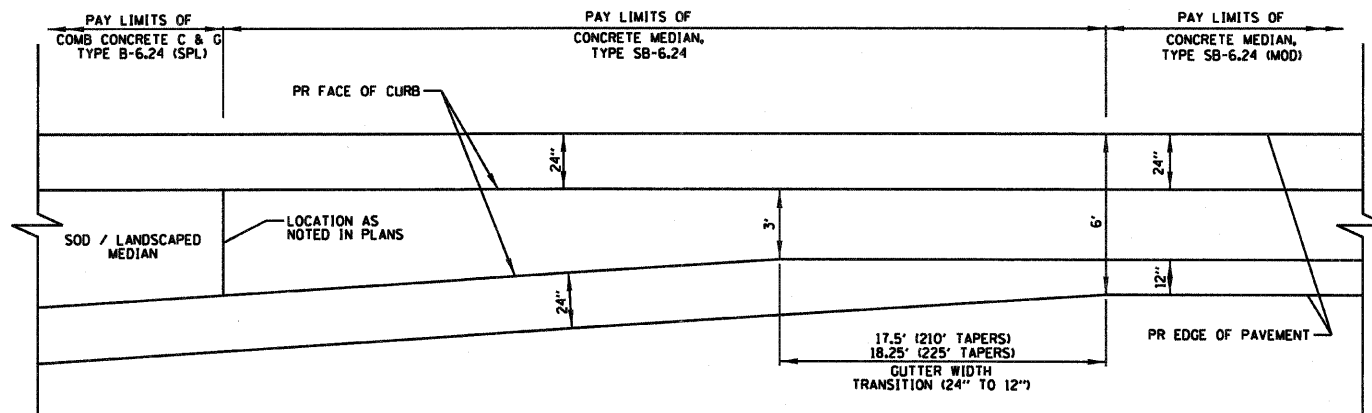
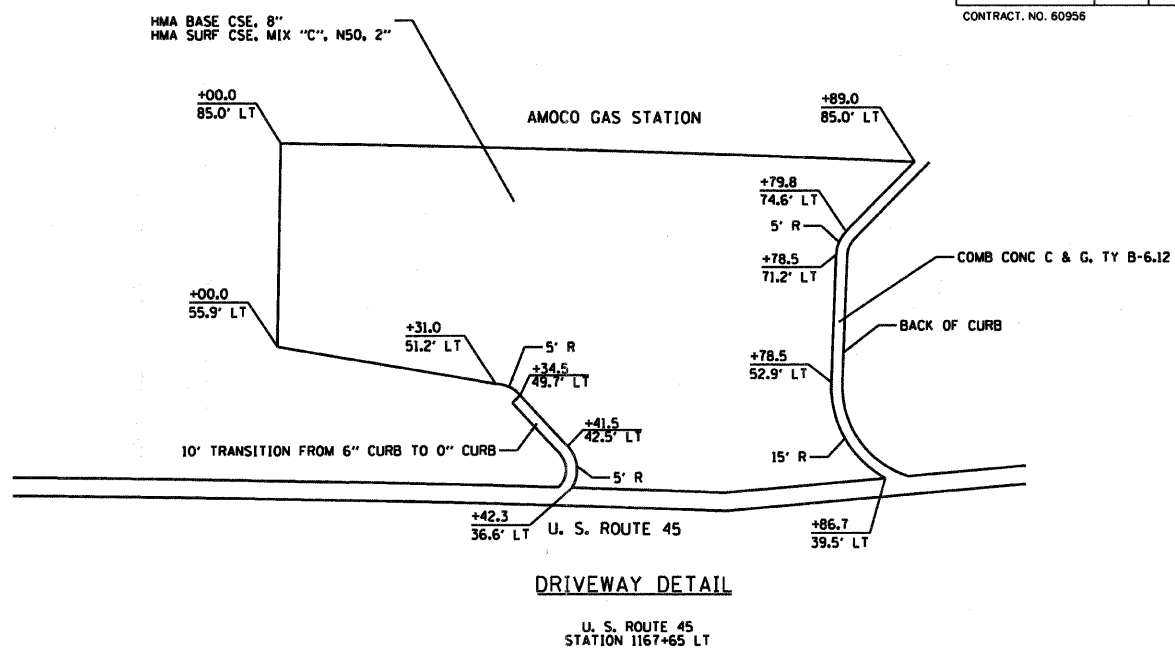


RTE	SECTION	COUNTY	TOTAL SHEETS	SHEET NO
344	16-1S&47WRS-2	LAKE	234	91
STA.	TO STA.			
FED. ROAD DIST. NO. 7		ILLINOIS	FED. AID PROJECT	
CONTRACT NO. 60956				

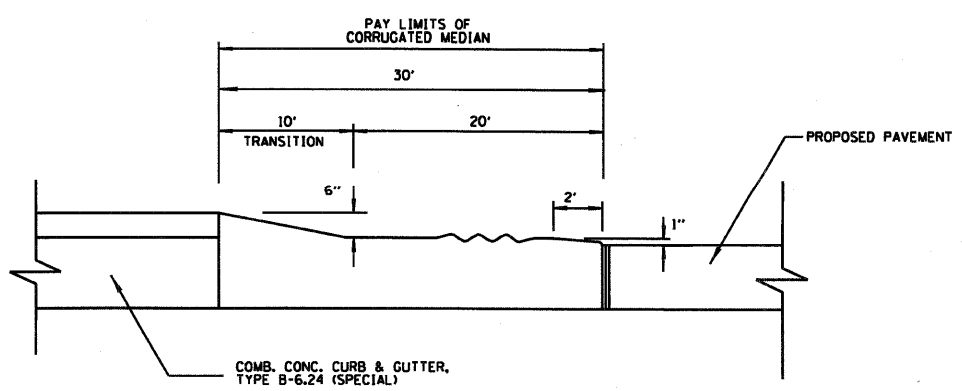


FOR LEGEND AND NOTES, SEE SHEET NO. 86

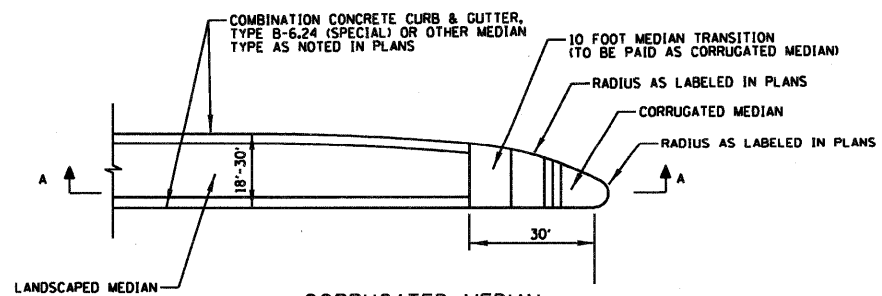


CONCRETE MEDIAN DETAIL AT LEFT TURN BAYS

NOTE: CONCRETE MEDIAN SHALL BE CONSTRUCTED IN ACCORDANCE WITH APPLICABLE PORTIONS OF STANDARD 606301



SECTION A - A



CORRUGATED MEDIAN AT INTERSECTIONS

NOTE: CORRUGATED MEDIAN SHALL BE CONSTRUCTED IN ACCORDANCE WITH APPLICABLE PORTIONS OF STANDARD 606306

REVISIONS	
NAME	DATE

ILLINOIS DEPARTMENT OF TRANSPORTATION
MEDIAN DETAILS
 AND
SIDE STREET ELEVATIONS
 U. S. ROUTE 45
 DATE 12/14/09
 DRAWN BY AJP
 CHECKED BY MJL
 NO SCALE



12/14/09 - g:\401\2000\0005302\cod\details\median.dgn